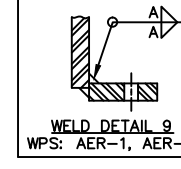
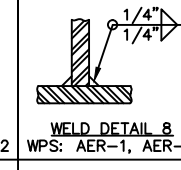
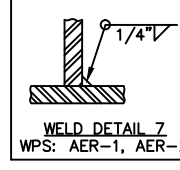
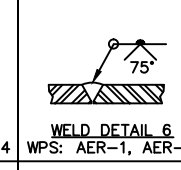
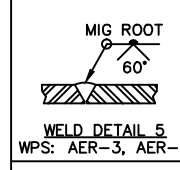
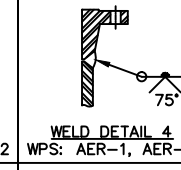
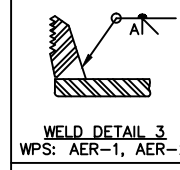
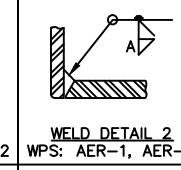
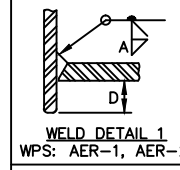
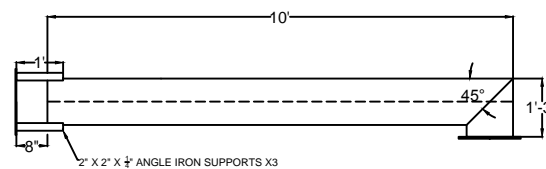
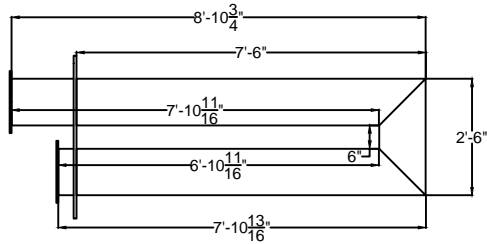
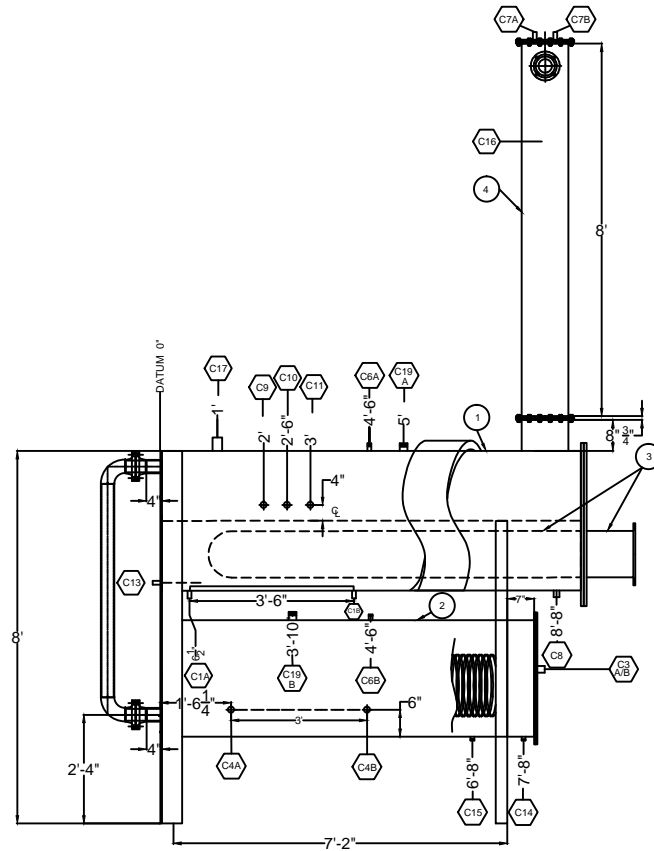
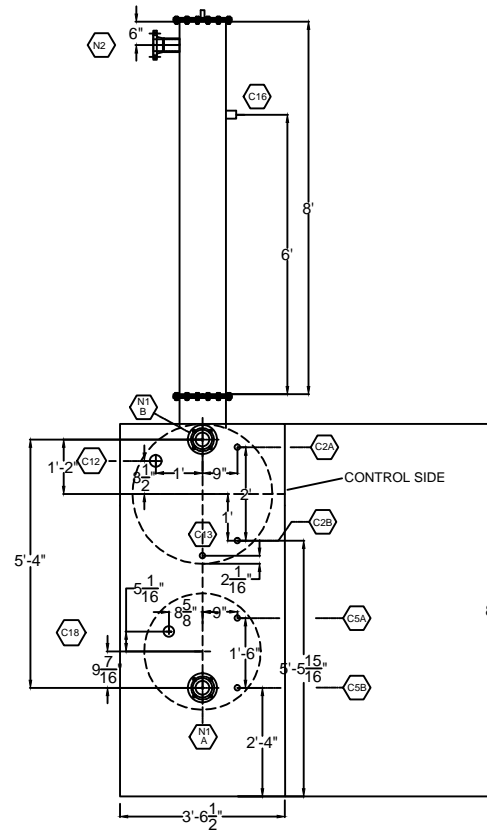


IT MAY NOT BE REPRODUCED WITHOUT THE PERMISSION OF ASPIRE ENERGY RESOURCES LTD.

THIS DRAWING IS THE PROPERTY OF ASPIRE ENERGY RESOURCES LTD.



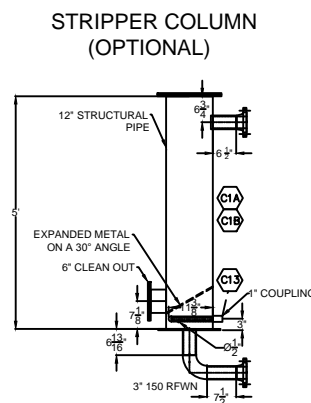
ITEM QTY			DESCRIPTION		MATERIAL
1	1		REBOILER SHELL -	36" OD x 108" LG	A-36
2	1		ACCUMULATOR SHELL -	30" OD x 96" LG	A-36
3	1		FIRETUBE -	12 3/4" OD x 90" LG	A-36
4	1		STILL COLUMN -	12 3/4" OD x 96" LG	A-36
5	1		STRIPPER COLUMN -	12 3/4" OD x 5'0" LG (OPTIONAL)	A-36
6					

CONNECTION SCHEDULE									
MARK	SIZE	SCH	RATING	TYPE	SERVICE	WELD	A	ITEM NO'S	
N1AB	3"	40	150#	RFWN	SPILL OVER CONNECTIONS	2,4	1/4"	-	
N2	3"	40	150#	RFWN	STEAM OUT	2,4	1/4"	-	
C1AB	1/2"	NPT	3000#	CPLG	STRIPPER PREHEAT COIL	2	1/4"	-	
C2AB	1/2"	NPT	3000#	CPLG	LEVEL GAUGE	2	1/4"	-	
C3AB	1"	NPT	3000#	CPLG	RICH GLYCOL COIL	2	1/4"	-	
C4AB	1"	NPT	3000#	CPLG	FUEL GAS COIL	2	1/4"	-	
C5AB	1/2"	NPT	3000#	CPLG	LEVEL GAUGE	2	1/4"	-	
C6AB	1/2"	NPT	3000#	CPLG	EQUALIZE	2	1/4"	-	
C7AB	1"	NPT	3000#	CPLG	REFLUX COIL	2	1/4"	-	
C8	1"	NPT	3000#	CPLG	DRAIN	2	1/4"	-	
C9	3/4"	NPT	3000#	CPLG	TI	2	1/4"	-	
C10	3/4"	NPT	3000#	CPLG	TC	2	1/4"	-	
C11	3/4"	NPT	3000#	CPLG	HTSD	2	1/4"	-	
C12	2"	NPT	3000#	CPLG	LLSD	2	1/4"	-	
C13	1/2"	NPT	3000#	CPLG	SPARGING GAS c/w BAR	2	1/4"	-	
C14	1"	NPT	3000#	CPLG	DRAIN	2	1/4"	-	
C15	1 1/2"	NPT	3000#	CPLG	GLYCOL OUT	2	1/4"	-	
C16	1"	NPT	3000#	CPLG	GLYCOL IN c/w DIVERTER	2	1/4"	-	
C17	2"	NPT	3000#	CPLG	PSV	2	1/4"	-	
C18	1"	NPT	3000#	CPLG	SKIM	2	1/4"	-	
C19AB	2"	NPT	CAP	PIPE	FILL c/w CAP	2	1/4"	-	

APPROVED FOR CONSTRUCTION: _____

DATE: _____

JOB NUMBER: 4468



NO.	DATE	REVISION	BY	APP
0	14-06-19	ISSUED FOR INFORMATION	SB	WS

ASPIRE ENERGY RESOURCES LTD.
53 BURNT LAKE CRESCENT
RED DEER, AB T4S 0K6
TELEPHONE: (403) 314-5422 FAX: (403) 314-1823

CLIENT:	GLYCOL REBOILER TYPICAL LAYOUT
DATE: 14-06-19	
BDD NO.:	
CUST. NO.:	
SCALE: NTS	
DRAWN BY: SB	DWG NO.: 4468
CHECKED BY: WS	
APP BY:	
REV. 0	