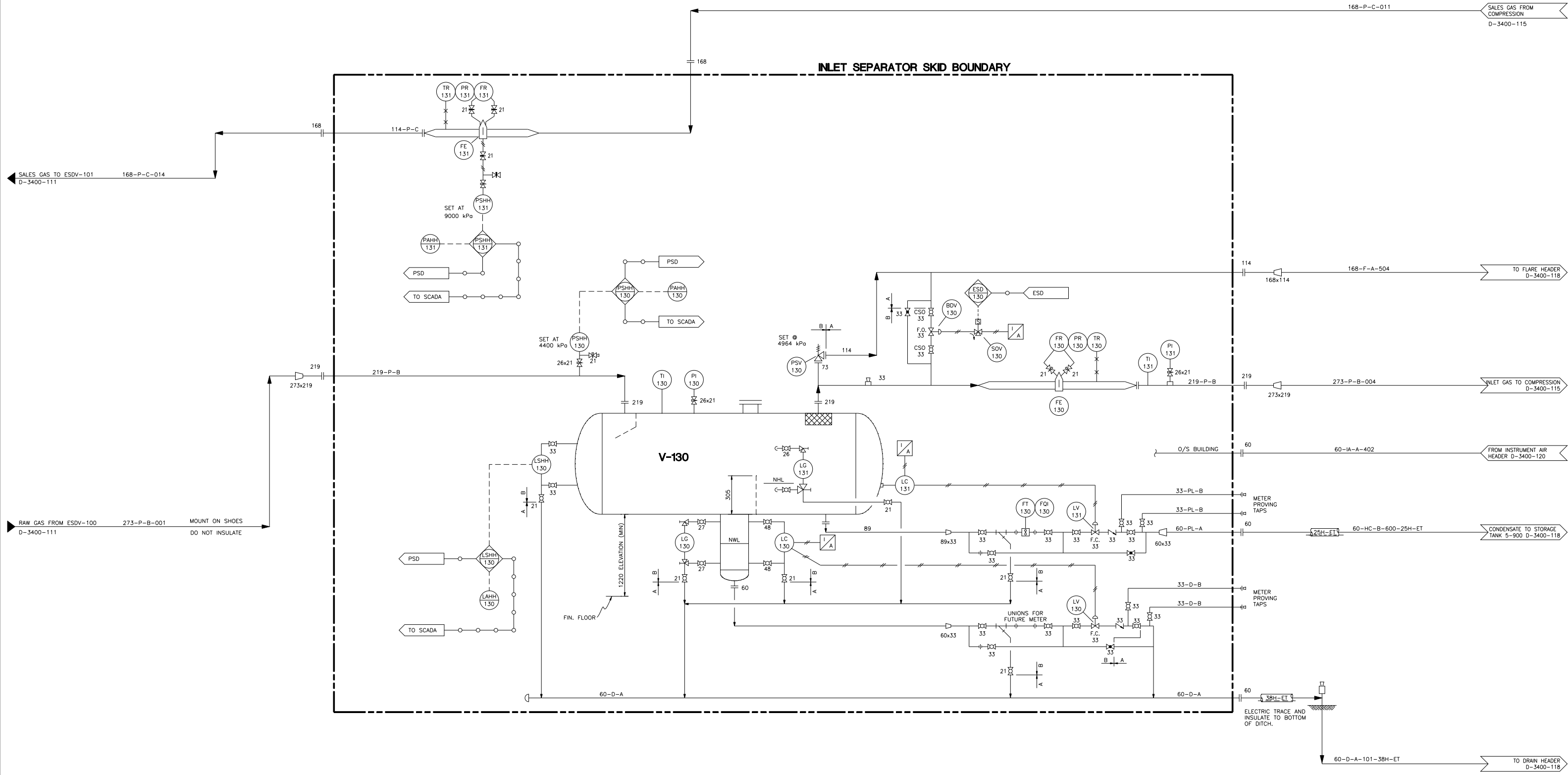


V-130
INLET SEPARATOR
 1066mm ID, x 3048mm S/S min.
 4964 kPa @ 68"
 3 Phase
 1.6mm C.A.



DWG. NO.	REFERENCE DRAWINGS	REV	REVISIONS	DATE	BY	CHK'D	APP'D	AXL APP'D	ENGINEER AND PERMIT STAMPS			DESIGNED	PROJECT		
		1	AS BUILT	94-12-12	TL							(AXL) ANDERSON EXPLORATION LTD. CALGARY, ALBERTA, CANADA	SADDLE HILLS GAS PLANT		
		0	ISSUED FOR CONSTRUCTION	94-09-21	TL		KOR	RLK					PIPING & INSTRUMENTATION DIAGRAM		
		D	ISSUED FOR TENDER	94-09-01	AC								INLET SEPARATOR		
		C	APPROVED	94-07-22	CAE								S.E. 1/4-3-77-7 W6M		
		B	ISSUED FOR CLIENT APPROVAL	94-07-06	MFM	MI							JOB NO.	SCALE	DWG. NO.
		A	ISSUED FOR APPROVAL	94-03-24	VLW								3400	N.T.S.	D-3400-112

