

OUTLINE DRAWING

MODEL NUMBER: 88-41335

Masoneilan

ACTUATOR POSITION: Vertical

RATING: CL 600

END CONNECTION: RF Flanges

VALVE SIZE: 3/(80mm) In

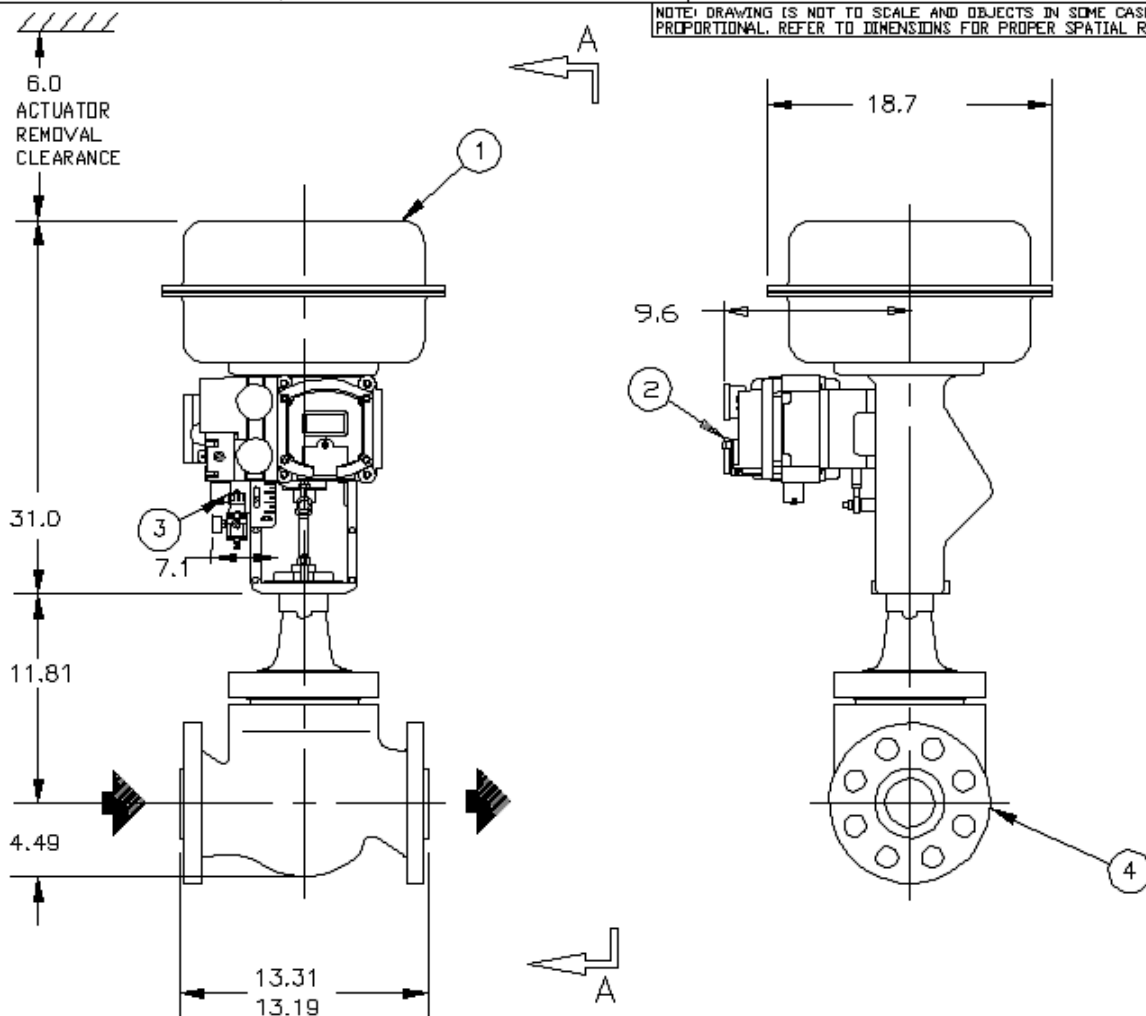
ACTUATOR SIZE: 16

AIR ACTION: Air to Open

FLOW DIRECTION: Flow to Open

FAIL POSITION: Closed

NOTE: DRAWING IS NOT TO SCALE AND OBJECTS IN SOME CASES ARE NOT PROPORTIONAL. REFER TO DIMENSIONS FOR PROPER SPATIAL REPRESENTATION.



NOTE: YOU HAVE SELECTED A SPECIAL VALVE CONFIGURATION THAT MAY NOT BE ACCURATELY REFLECTED BY THIS DRAWING. PLEASE CONTACT MASONEILAN APPLICATIONS ENGINEERING TO CONFIRM ENVELOPE DIMENSIONS.

VIEW A-A

ACTUATOR MOUNTING POSITION: 1

Ref	MODEL	DESCRIPTION	CONNECTION	WGT
1	88	ACTUATOR, SPRING-DIAPHRAGM, #16, 11-23, AIR TO OPEN		210
2	3730-4	POSITIONER, SANSON, PROFIBUS PA	25 NPT/.5 Inch NPTF	9
3	78-40	AIRSET, POSITIONER (3730-4)	25 NPT	1
4	41335	BODY, GLOBE, RECIPROCATING, 3/(80mm) IN, CL 600, RF FLANGES		197

NOTE: DIMENSIONS AND LOCATION OF ACCESSORIES INDICATE EXTREME MOUNTING LOCATION. ACTUAL MOUNTING MAY VARY WITHIN ENVELOPE SHOWN.

TOTAL PACKAGE WEIGHT LBS 407

THIS PRINT CERTIFIED CORRECT FOR CUSTOMER:

TOLERANCES:
LINES ANGLES
±.001 ±.001

DIMENSION UNITS: INCH
SCALE: NONE

REF. NUMBER: SQ1056637

ITEM NUMBER: 011

REVISION:

END USER NAME: Devon

PO: 4500096777

PO ITEM:

TAG NUMBER (S): 30-FV-500E

ValSpeQ v4.09.1