



Project

NPE DOCUMENT FRONT SHEET

NPE Document coversheet must be returned with all documents after review from client.

PO Number		Customer Name	
201-01-35-0003		CANADIAN NATURAL RESOURCES LIMITED	
PO Title		NPE Sales Order Number	
Sales Oil Pumps		SLS 336589	
Equipment Tag Number		Submission Date	Total Pages (inc front sheet)
		04-Apr-12	2
Document Title			Customer Reference
Equipment cross sectional drawing and BOM			G01
Customer Document Number		NPE Document Number	Submittal Number
G01		9	

Rev	Date	Details or Purpose of Revision	Prepared	Check	Auth
0	09-Mar-12	Description required			

NPE Contact Information

Mechanical Designer	<input type="text" value="Bill Toso"/>
Project Administrator	<input type="text" value="Andrea Oliver"/>
Project Manager	<input type="text" value="Darren O'Grady"/>

NOTE: ACTION MAY BE REQUIRED. REFER TO STATUS CODE FOR INSTRUCTIONS.

Status Code

1	CERTIFIED FOR CONSTRUCTION. RELEASED FOR MANUFACTURE.
2	DRAWING APPROVAL REQUIRED. PARTIAL RELEASE FOR MANUFACTURE, PLEASE RETURN PRINT(S) WITH APPROVAL OR COMMENTS NOTED.
3	DRAWING APPROVAL REQUIRED. ALL WORK IS BEING HELD. PLEASE RETURN _____ PRINT(S) WITH APPROVAL OR COMMENTS NOTED.
4	THESE PRINTS ARE INCOMPLETE.
5	FOR RECORD ONLY.
6	FOR INFORMATION ONLY.

EQUINOX ENGINEERING
DOCUMENT CONTROL

- V1 - Correct & Resubmit
Manufacturing may NOT proceed
- V2 - Correct & Resubmit
Manufacturing MAY proceed
- V3 - Review Not Required
Accepted for information purposes only

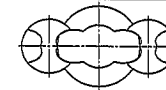
V4 - Submit Final Documentation

V5 - Manufacturing May Proceed
No further submissions are required

NOTES:
PO #: 201-0-35-0003
SEQ #: 0005
SUB #: 0001
DATE: April 16, 2012

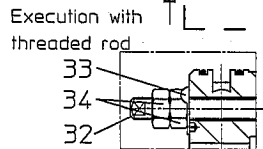
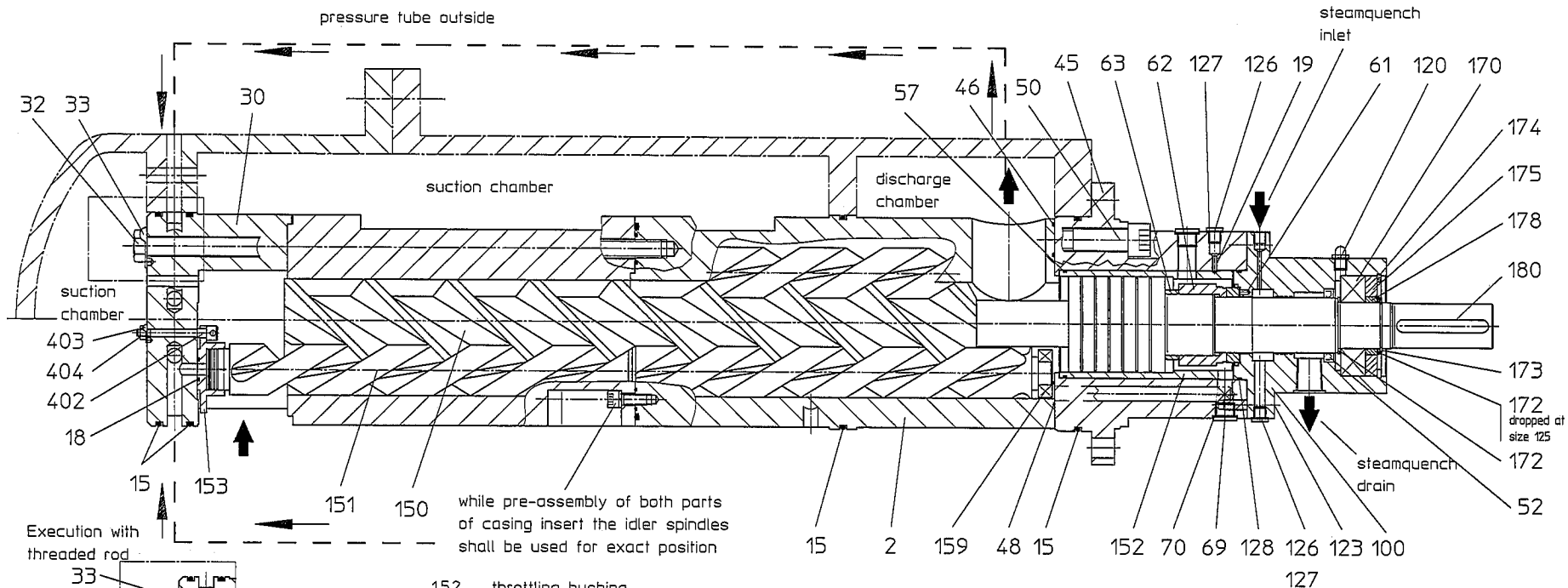
SIGNATURE: *[Signature]*
DATE: April 26, 2012

SCREW PUMPS



Leistriz

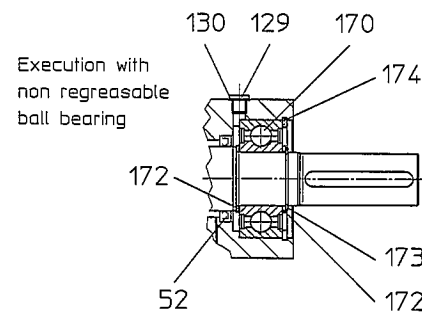
Range	Type	Size	Pitch	Shape	Type of Seal	Identification
L3H	E	090-125	/...	AFOKOO (AFOKO)	G-Q	3-SPINDLE PLUG-IN-PUMP BALL BEARING OUTSIDE SECTIONAL DRAWING



- 52 shaft sealing ring
- 50 mounting screw
- 48 o-ring
- 46 o-ring
- 45 cover driving side
- 34 hexagonal nut
- 33 tab washer
- 32 hexagonal head screw/ threaded rod
- 30 steady
- 19 threaded pin
- 18 o-ring
- 15 o-ring
- 2 casing insert

- 152 throttling bushing
- 151 idler spindle
- 150 driving spindle
- 130 sealing ring
- 129 locking screw
- 128 O-ring
- 127 sealing ring
- 126 locking screw
- 123 mounting screw
- 120 conical lubricating head
- 100 bearing housing
- 70 sealing ring
- 69 locking screw
- 63 spacer ring
- 62 mechanical seal
- 61 edged adjusting pin
- 57 O-ring

- 404 hexagonal nut
- 403 tab washer
- 402 shank screw
- 180 key
- 178 labyrinth bushing
- 175 intermediate ring
- 174 circlip
- 173 circlip
- 172 supporting disc
- 170 four-point bearing / grooved ball bearing
- 159 grooved ball bearing
- 153 stop collar bushing



- Rev. 09 20.08.10 Gusinda
- Rev. 08 01.09.08 Henning
- Rev. 07 03.07.08 Gusinda
- Rev. 06 31.03.03 Dötterl
- Rev. 05 14.10.02 Ehemann
- Rev. 04 01.03.02 Lörcincz
- Rev. 03 13.12.01 Dötterl
- Rev. 02 04.12.01 Dötterl
- Rev. 01 18.07.00 Lörcincz
- Rev. 00 13.06.00 Lörcincz



Dimensions in mm. M -/-	Edition: 13.06.00 Lörcincz	Subject to modification.	Rev. 09
Leistriz AG Markgrafstr.29-39 D-90459 Nürnberg, Postfach 3041 D-90014 Nürnberg Tel. (0911)4306-0 Telex 626717 Telefax (0911)4306-490			D 160 7749