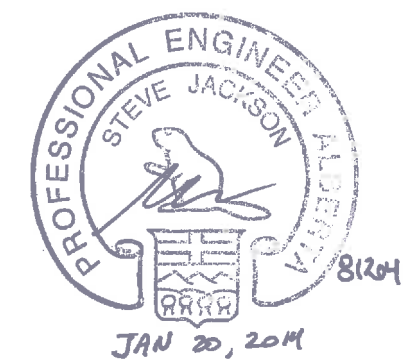
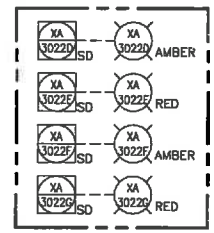
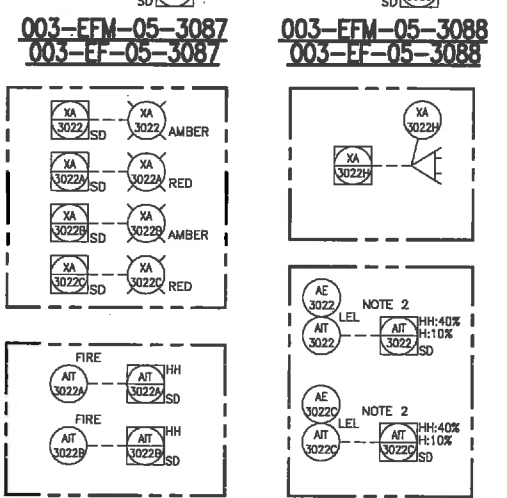
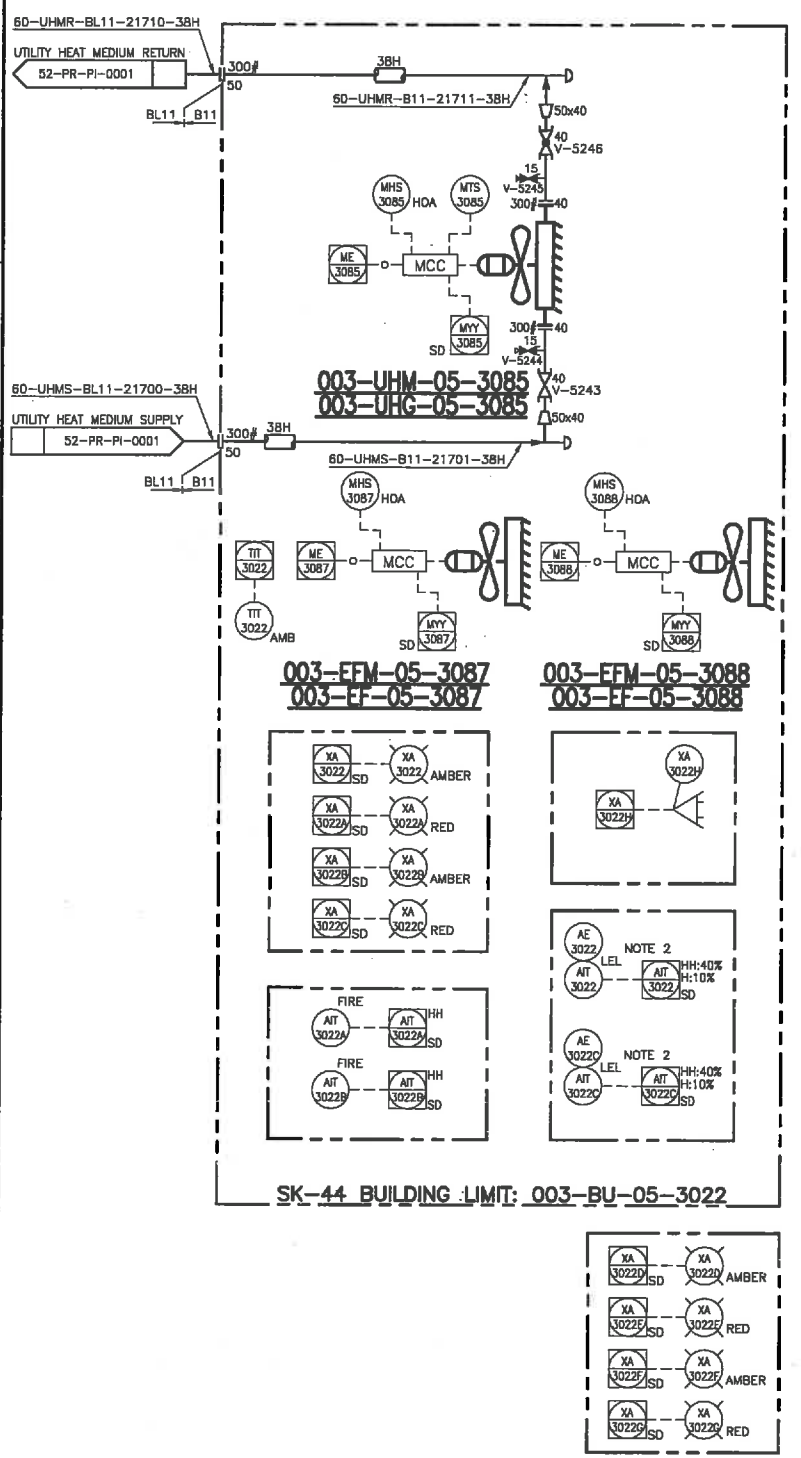


PRINTED: Monday, January 20, 2014 9:17:30 AM DWG NAME: H:\PROJECTS New NOS\Design Drafting\General\DFR\PIB\DFR-52-PR-PI-0003 Rev 0.dwg
 UPDATED: Friday, November 15, 2013 3:14:30 PM BY: Heman

003-EF-05-3087/3088 EXHAUST FAN MODEL: RUFFNECK EFX-12A-2H CAPACITY: 3 AIR CHANGES PER HOUR PER FAN	003-EFM-05-3087/3088 EXHAUST FAN MOTOR MOTOR: 0.37 kW, 575V/3ø/60Hz EXPLOSION PROOF	003-UHG-05-3085 HEATER MODEL: RUFFNECK MODEL #AH-24A-A5AI-AI-2H DUTY: 36.4 kW	003-UHM-05-3085 HEATER MOTOR MOTOR: 0.37 kW, 575V/3ø/60Hz
--	--	--	---

GENERAL NOTES:

- ALL INSTRUMENT SYMBOLS ON SKID 44 TO BE PREFIXED BY -05.
- BOTH GAS DETECTORS TO BE LOCATED INSIDE BUILDING.



0	RELEASED FOR FABRICATION	NOV.15/13	MFF
A	ISSUED FOR APPROVAL	OCT.08/13	SSE
NO.	REVISION	DATE	BY
PROJECT NAME: FERRIER CENTRAL PROCESSING FACILITY			
CLIENT: DEVON CANADA c/o WORLEY PARSONS			
DOCUMENT NAME: UTILITIES PIPING AND INSTRUMENTATION DIAGRAM			
<small>THIS DRAWING IS THE CONFIDENTIAL PROPERTY OF THE A&E ENGINEER AND IS NOT TO BE REPRODUCED OR COPIED IN ANY MANNER WITHOUT THE WRITTEN AUTHORIZATION OF TDE.</small>			
JOB NUMBER: 12-118			
DOCUMENT NUMBER: DFR-52-PR-PI-0003	ITEM:	SHEET:	REV: 0