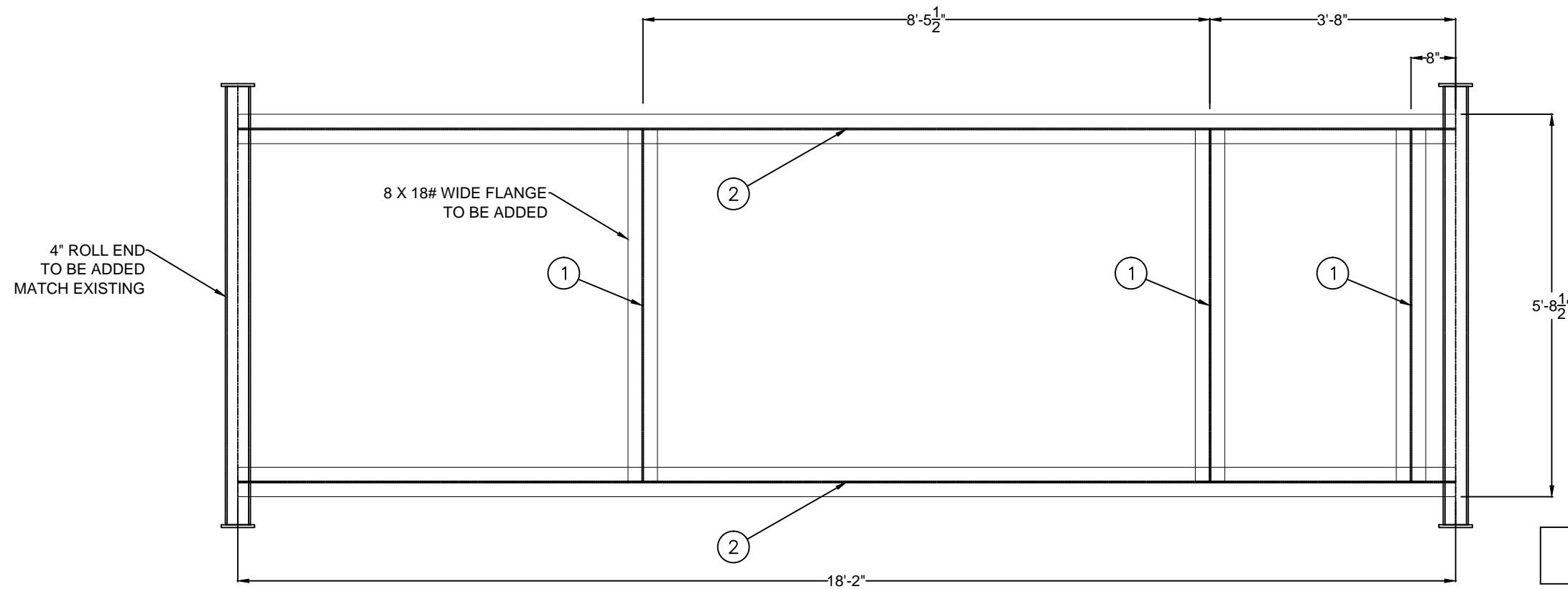


IT MAY NOT BE REPRODUCED WITHOUT THE PERMISSION OF ASPIRE ENERGY RESOURCES LTD.

THIS DRAWING IS THE PROPERTY OF ASPIRE ENERGY RESOURCES LTD.

ITEM	QTY	MEMBER DESIGNATION	LENGTH (ft)	WEIGHT (Lb)	WEIGHT(Kg)
1	3	W8x21	5'-2 15/16"	110.215	49.994
2	2	W8x21	18'-2"	381.500	173.048
Total Weight:				1093.6	496.1



JOB NO. 4411

NOTE: ALL INSTRUMENTS TO BE VENTED OFF SKID.

NO.	DATE	REVISION	BY	APP
0	14-12-01	ISSUED FOR APPROVAL	SB	WS

ASPIRE ENERGY RESOURCES LTD.
 53 BURNT LAKE CRESCENT
 RED DEER, AB T4S 0K6
 TELEPHONE: (403) 314-5422 FAX: (403) 314-1823

CLIENT:		HEATER PACKAGE SKID
DATE:	14-12-01	
BDD NO.:		
CUST. NO.:		
SCALE:	NTS	
DRAWN BY:	SB	DWG NO.: 4411-03
CHECKED BY:	WS	
APP BY:		
		REV. 0