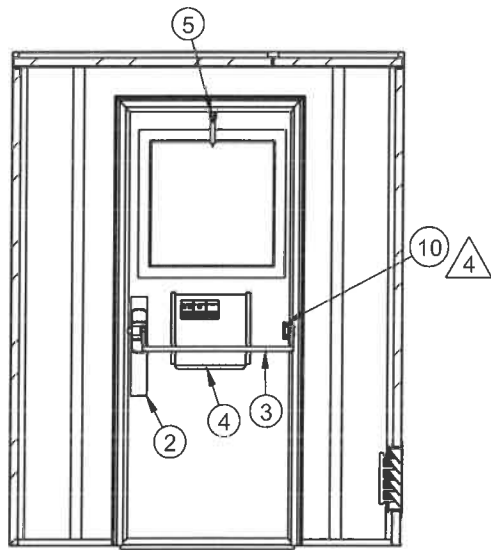
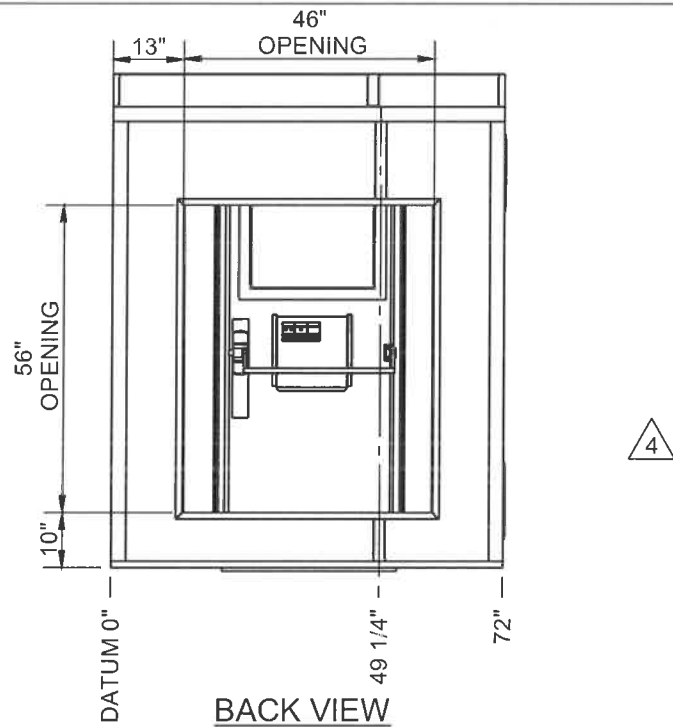


THIS DRAWING IS THE PROPERTY OF CRIMTECH SERVICES LTD. AND IS NOT TO BE COPIED, REPRODUCED OR DISTRIBUTED WITHOUT THE PRIOR WRITTEN CONSENT OF CRIMTECH SERVICES LTD.

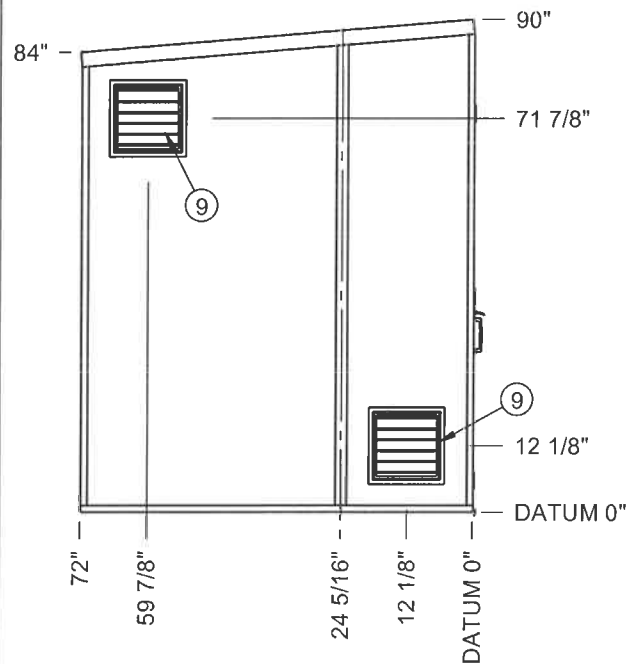


SECTION BACK VIEW

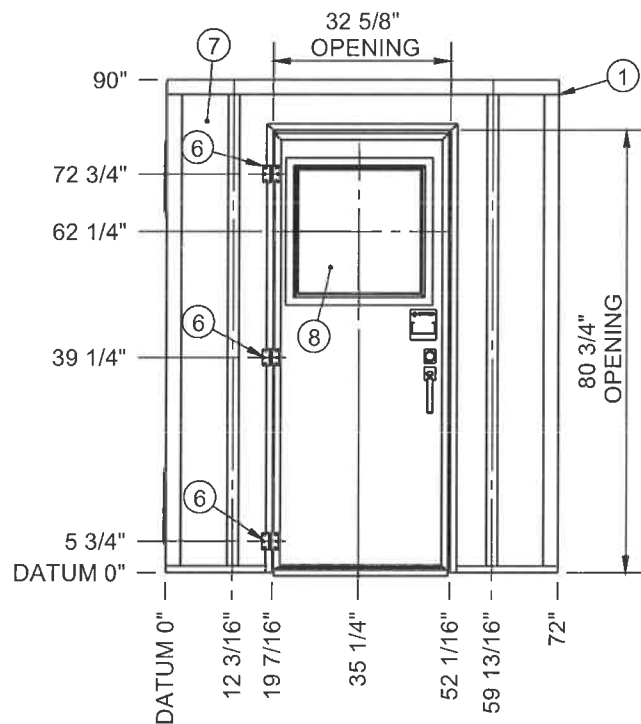


BACK VIEW

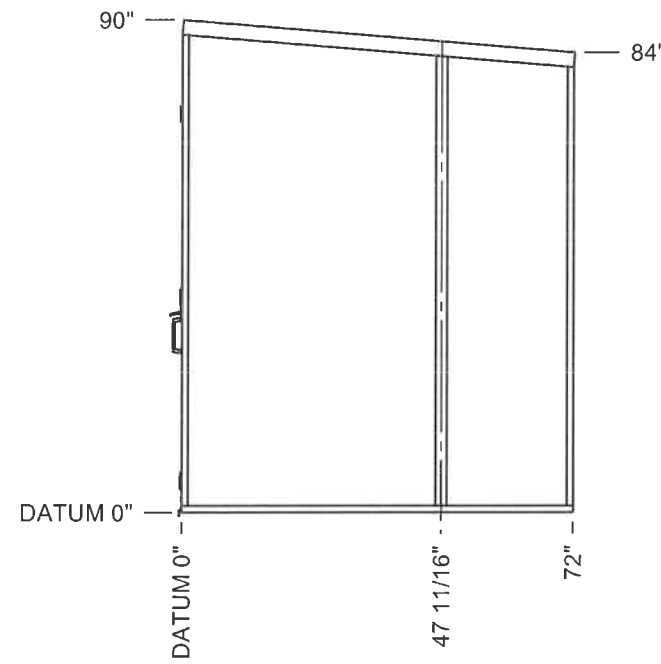
| ITEM | QTY | DESCRIPTION | ALTERNATE UNITS | ERP |
|------|-----|---|-----------------|---------|
| 1 | 1 | SEE 1012970 CUT LIST | | |
| 2 | 1 | FORMED PART, 3IN X 18IN X 1/8IN, FLAT ALUMINUM PLATE | | 1001688 |
| 3 | 1 | VON DUPRIN, 44TPXSA, , PANIC HARDWARE FOR DOOR | | 1000123 |
| 4 | 1 | FORMED PART, 13IN X 13IN, CHART HOLDER | | 1001524 |
| 5 | 1 | STANLEY, 74-8263, , DOOR CHECK CHAIN | | 1000112 |
| 6 | 3 | STANLEY, MODEL 12-0550 CLASS 804, 3IN X 3IN, DOOR HINGE | | 1000124 |
| 7 | 1 | PANEL, 1SQ FT, GALVALUME/GALVALUME - ORDER BY 4FT X 16FT X 1 1/2IN SHEETS | 240Sq Foot | 1000602 |
| 8 | 1 | , 24IN X 24IN, GPW WINDOWS | | 1001513 |
| 9 | 2 | LOUVER, 12IN SQ., C/W GRILL | | 1013920 |
| 10 | 1 | FORMED PART, 3IN X3IN X 1/16IN WITH 5/32IN HOLE, GALVANIZED STEEL PLATES | | 1012626 |



LEFT VIEW

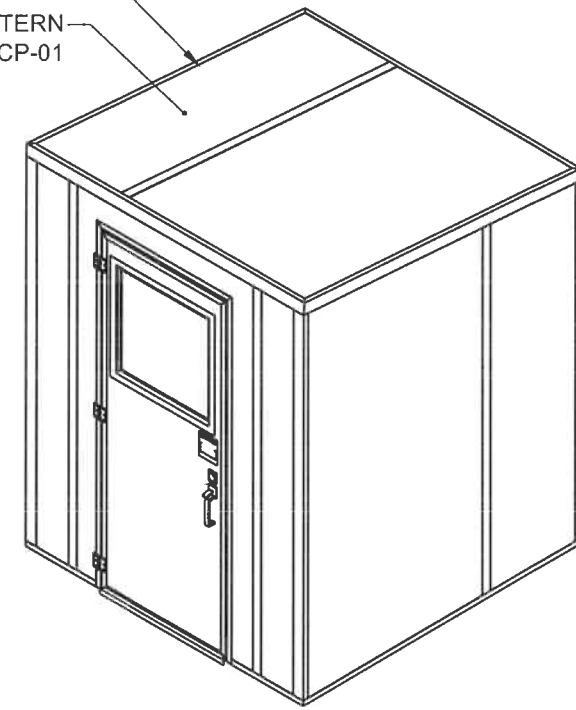


FRONT VIEW



RIGHT VIEW

FOR BUILDING FRAME
SEE DWG 1012970-BF-01
FOR CUTTING PATTERN
SEE DWG 1012970-CP-01



ISOMETRIC VIEW

| NO. | DATE | REVISION DESCRIPTION | BY | CHKD | DISCIPLINE | APPD BY | DATE |
|-----|----------|------------------------------|-----|------|------------|---------|------|
| 0 | 06 08 28 | ISSUED FOR CONSTRUCTION | JHK | DJB | PROCESS | | |
| 1 | 06 09 22 | REVISED VENT LOCATIONS | JHK | DJB | MECHANICAL | | |
| 2 | 06 10 20 | REVISED AS PER SHOP MARK-UPS | JHK | - | STRUCTURAL | | |
| 3 | 06 12 22 | REVISED LOUVER VENTS | JMB | - | INSTRUMENT | | |
| 4 | 07 03 13 | UPDATED AS PER SHOP REDLINES | JHK | - | ELECTRICAL | | |
| - | - | - | - | - | - | - | - |
| - | - | - | - | - | - | - | - |
| - | - | - | - | - | - | - | - |

CRIMTECH
Services Ltd
PH 1-800-993-9958 WWW.CRIMTECH.COM

PATENT AND COPYRIGHT NOTICE
THIS DRAWING HAS NOT BEEN PUBLISHED AND IS THE SOLE PROPERTY OF CRIMTECH SERVICES LTD. AND IS LENT TO THE BORROWER FOR THEIR CONFIDENTIAL USE ONLY. NO PART OF THIS DRAWING MAY BE REPRODUCED OR TRANSMITTED IN ANY FORM OR BY ANY MEANS, ELECTRONIC OR MECHANICAL, INCLUDING PHOTOCOPYING, RECORDING, OR BY ANY INFORMATION STORAGE AND RETRIEVAL SYSTEM, WITHOUT THE EXPRESS WRITTEN PERMISSION OF CRIMTECH SERVICES LTD. THE FLODRIP WELLHEAD SEPARATOR AND FLODRIP WELLHEAD SEPARATOR SYSTEM ARE TRADEMARKS OF CRIMTECH SERVICES LTD.

| | | | |
|--|-------------|---------------|-----|
| BUILDING - GALVALUME 72" x 72" x 90" x 84" WITH SHROUD ASSEMBLY AND ELEVATIONS | | | |
| ORDER BY: | - | | |
| END USER: | - | | |
| LSD: | CLIENT NO.: | SCALE: | |
| - | - | 1:34 | |
| SIZE | ERP NO.: | DRAWING NO.: | REV |
| - | - | 1012970-CV-01 | 4 |

This document may be out-of-date because it has file references that may have been updated. (more 70.)

PRINTED: 3/13/2007 R:\Drawings\Assemblies\Buildings\6x6 Galvalume Building With Shroud (1012970)\1012970-CV-01