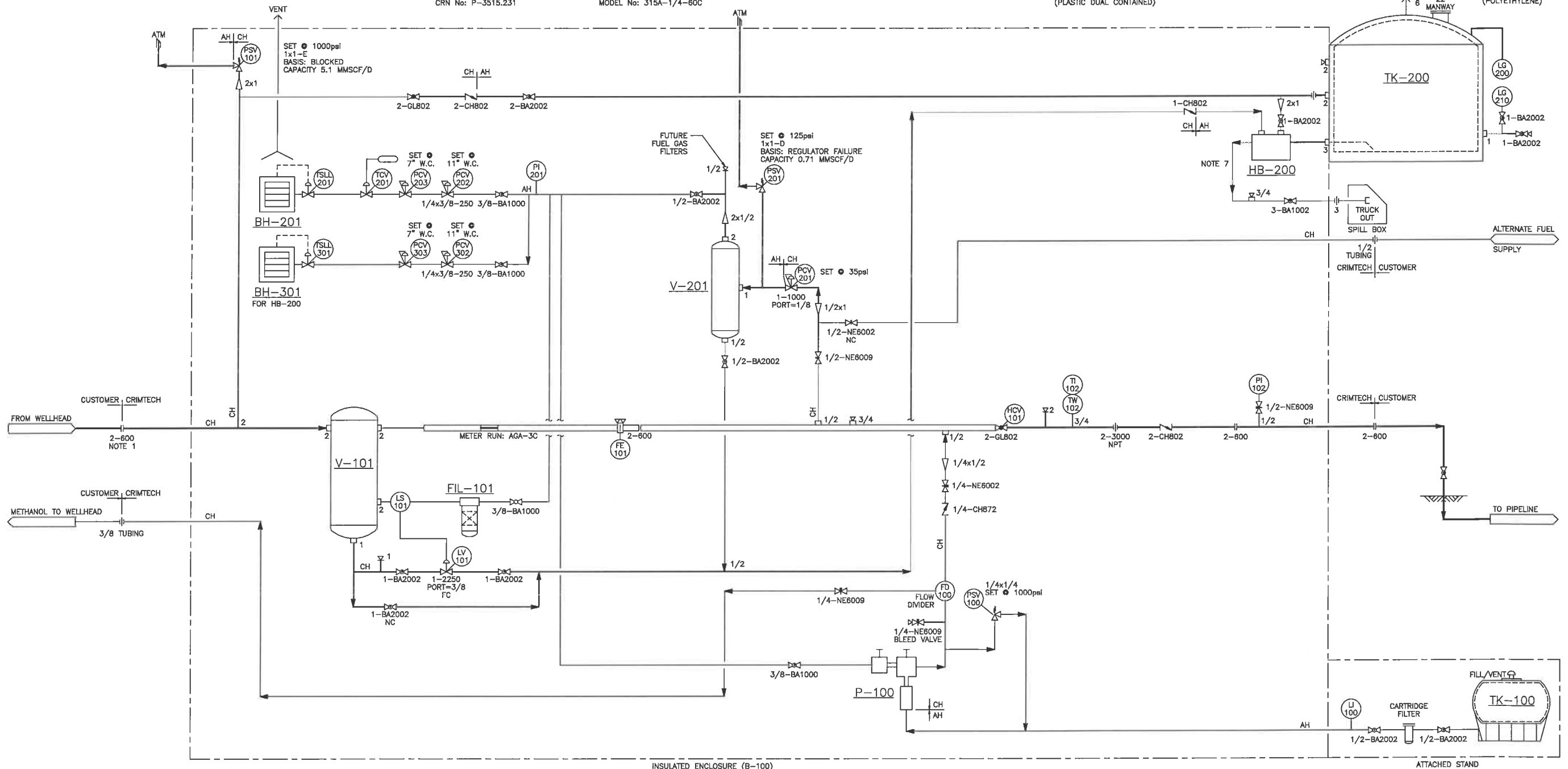


THIS DRAWING IS THE PROPERTY OF CRIMTECH SERVICES LTD. AND IS NOT TO BE COPIED, REPRODUCED OR DISTRIBUTED WITHOUT THE PRIOR WRITTEN CONSENT OF CRIMTECH SERVICES LTD.

- BH-201 ENCLOSURE HEATER**  
DUTY: 8000 BTU/HR  
MFR: CATADYNE  
MODEL No: WX 12 x 24
- BH-301 ENCLOSURE HEATER**  
DUTY: 8000 BTU/HR  
MFR: CATADYNE  
MODEL No: WX 12 x 24
- V-101 8145A FLODRIP SEPARATOR**  
8 5/8" OD x 20" S/S  
MAWP: 1480 psi @ 100°F  
MDMT: -20°F @ MAWP  
CA: 1/16" (min)  
CRN No: P-3515.231
- FIL-101 INSTRUMENT GAS FILTER**  
1.575" OD x 4 7/16" LG  
DP: 250 psi @ 100°F  
TYPE: CARTRIDGE  
MFR: HEADLINE  
MODEL No: 315A-1/4-60C
- V-201 FUEL GAS SCRUBBER**  
4 1/2" OD x 24" OVERALL LENGTH  
MAWP: 1480 psi @ 100°F  
CA: 1/8"  
CRN: OH-3822.231
- P-100 METHANOL PUMP**  
CAPACITY: 15 GGL/D (MAX)  
DP: 1500 psi @ 35 psi SUPPLY  
MFR: LINC  
MODEL No: 877-11-61
- TK-100 METHANOL TANK**  
54" OD x 76" LG  
NET CAPACITY: 420 IMP GAL  
DP: ATM  
ROOF TYPE: CYLINDER  
(PLASTIC DUAL CONTAINED)
- HB-200 TANK HEATER BOX**  
12" x 24" x 4"  
NET CAPACITY: 4 Gal  
DP: ATM  
(STEEL)
- TK-200 PRODUCED WATER TANK**  
120" OD x 98 1/2" HIGH  
NET CAPACITY: 85 BBL (476.4 ft<sup>3</sup>)  
DP: ATM ROOF TYPE: DOME  
SECONDARY CONTAINMENT  
(POLYETHYLENE)



NO.	DATE	REVISION DESCRIPTION	BY	CHECKED	REVIEW STAGE	APPD.	DATE
A		ISSUED FOR CLIENT APPROVAL			PROCESS		
					MECHANICAL		
					STRUCTURAL		
					INSTRUMENT		
					ELECTRICAL		
					SHOP		
					Q.C.		
					ESTIMATOR		

**NOTES:**

- MAXIMUM INLET PRESSURE 1000 PSIG.
- ALL INSTRUMENTS ARE VENTED OUTSIDE (LEFT SIDE OF BUILDING).
- UNIT BUILT TO MEET HUSKY ENERGY PRODUCTION DIVISION SPECIFICATIONS CH ISSUE 05/02 EXCEPTIONS: 2" THREADED PIPING
- PACKAGES ARE SCADA READY.
- SET PRESSURES EXCLUDING PSV'S TO BE FIELD SET.
- MAXIMUM PACKAGE CAPACITY IS 5.1 MMSCF/D @ 1000 PSIG.
- DRAIN LINE, NON PRESSURE LINE.

PH 1-800-993-9958 www.crimtech.com

**PATENT AND COPYRIGHT NOTICE**

THIS DRAWING HAS NOT BEEN PUBLISHED AND IS THE SOLE PROPERTY OF CRIMTECH SERVICES LTD. AND IS LENT TO THE BORROWER FOR THEIR CONFIDENTIAL USE ONLY. NO PART OF THIS DRAWING MAY BE REPRODUCED OR TRANSMITTED IN ANY FORM OR BY ANY MEANS, ELECTRONIC OR MECHANICAL, FOR ANY PURPOSE, WITHOUT THE EXPRESS WRITTEN PERMISSION OF CRIMTECH SERVICES LTD. THE FLODRIP WELLHEAD SEPARATOR AND FLODRIP WELLHEAD SEPARATOR SYSTEM ARE PROTECTED BY CANADIAN PATENT 2,235,462 AND US PATENT 5,972,061.

<b>TITLE</b>		
SWEET GAS SEPARATOR PACKAGE MODEL NO. 8145BXP-150BFH PIPING AND INSTRUMENTATION DIAGRAM		
END USER TBD	CLIENT NUMBER TBD	SCALE NTS
ORDERED BY TBD	ORIGINAL DESIGN NUMBER 1010693	REV A
LSD TBD	ORDER DRAWING NUMBER 1010693-MF-01	

PRINTED Dec 12, 2014 11:17am - R:\P&ID Drawings\Drawings\Finished Goods\FlodrIP\8145A\8145BXP-150BFH (1010693)\1010693-MF-01.dwg