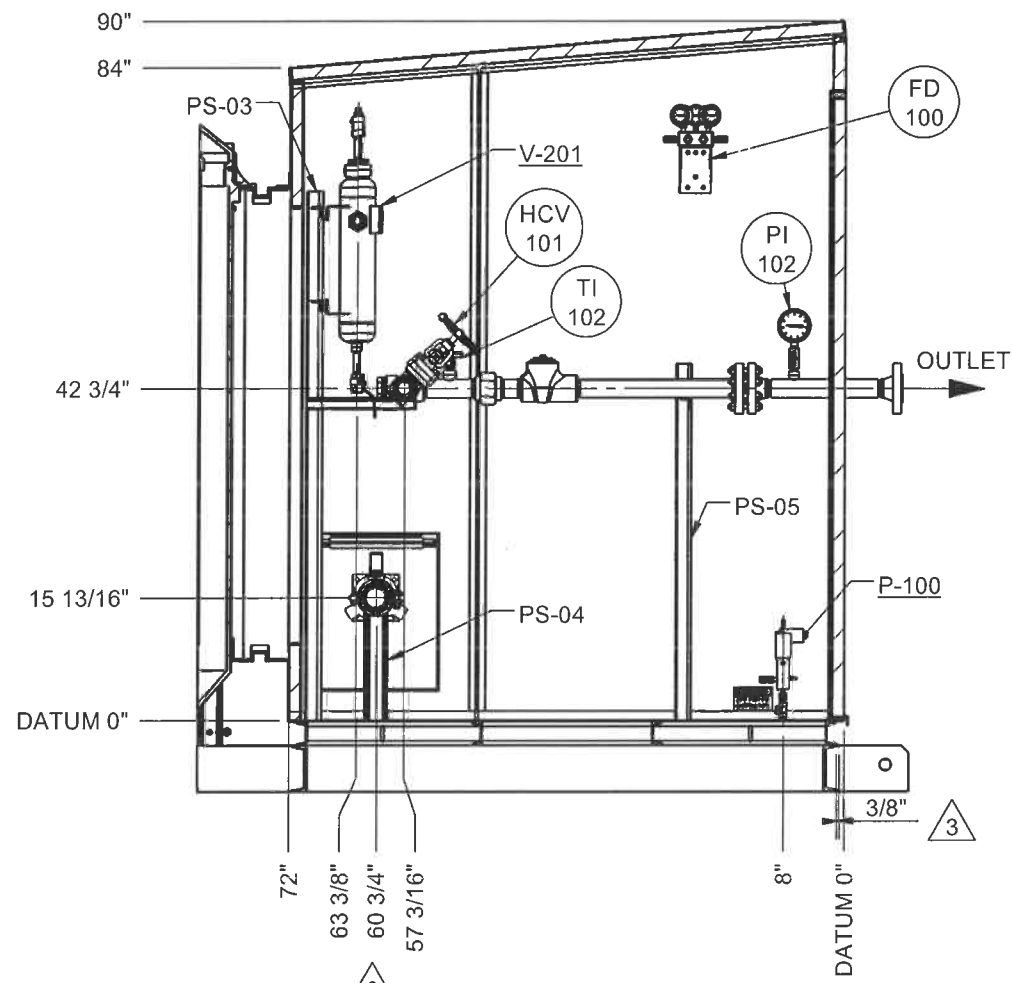
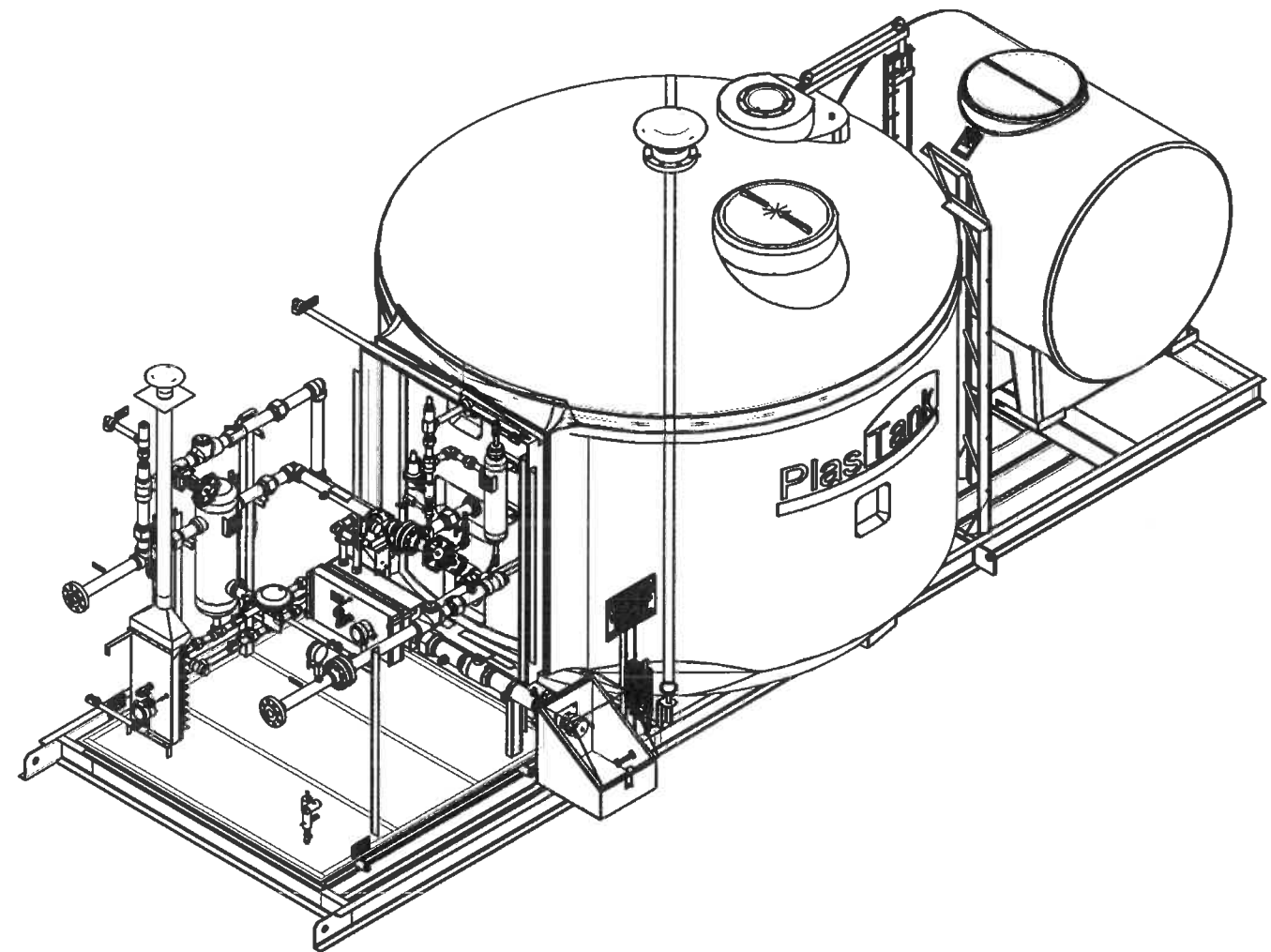


THIS DRAWING IS THE PROPERTY OF CRIMTECH SERVICES LTD. AND IS NOT TO BE COPIED, REPRODUCED OR DISTRIBUTED WITHOUT THE PRIOR WRITTEN CONSENT OF CRIMTECH SERVICES LTD.



SECTION C-C



ISOMETRIC VIEW

NO.	DATE	REVISION DESCRIPTION	BY	CHKD	DISCIPLINE	APPD BY	DATE
0	05 03 17	ISSUED FOR CONSTRUCTION	MJP	JMB	PROCESS		
1	06 01 16	MOVED TI AND PI-102	JMB	DJB	MECHANICAL		
2	06 10 02	REVISED ARRANGEMENT TO ADD 12"x 24" HEATER BOX	JHK	DJB	STRUCTURAL		
3	06 12 15	MOVED SKID, REVISED DIMENSIONS	JMB	DJB	INSTRUMENT		
-	-	-	-	-	ELECTRICAL		
-	-	-	-	-	Q.C.		
-	-	-	-	-	STRUCTURAL		

**CRIMTECH**  
Services Ltd  
PH 1-800-993-9958 WWW.CRIMTECH.COM

**PATENT AND COPYRIGHT NOTICE**  
THIS DRAWING HAS NOT BEEN PUBLISHED AND IS THE SOLE PROPERTY OF CRIMTECH SERVICES LTD. AND IS LENT TO THE BORROWER FOR THEIR CONFIDENTIAL USE ONLY. NO PART OF THIS DRAWING MAY BE REPRODUCED OR TRANSMITTED IN ANY FORM OR BY ANY MEANS, ELECTRONIC OR MECHANICAL, INCLUDING PHOTOCOPYING, RECORDING, OR BY ANY INFORMATION STORAGE AND RETRIEVAL SYSTEM, WITHOUT THE EXPRESS WRITTEN PERMISSION OF CRIMTECH SERVICES LTD. THE FLODRIP WELLHEAD SEPARATOR AND FLODRIP WELLHEAD SYSTEM ARE TRADEMARKS OF CRIMTECH SERVICES LTD. IN CANADA AND IN OTHER COUNTRIES.

SWEET GAS SEPARATOR PACKAGE MODEL NO. 8145BXP-150BF GENERAL ARRANGEMENT (SHEET 3 OF 3)			
ORDER BY: HUSKY ENERGY INC		SCALE: 1:24	
END USER: HUSKY ENERGY INC		CLIENT NO.:	
SIZE	ERP NO.:	DRAWING NO.:	REV
-	-	1010693-GA-03	3

This document may be out-of-date because it has file references that may have been updated. (more...)

PRINTED: 12/15/2006 R:\Drawings\Finished Goods\Flodrip\8145A\8145BXP-150BFH (1010693)\1010693-GA-03