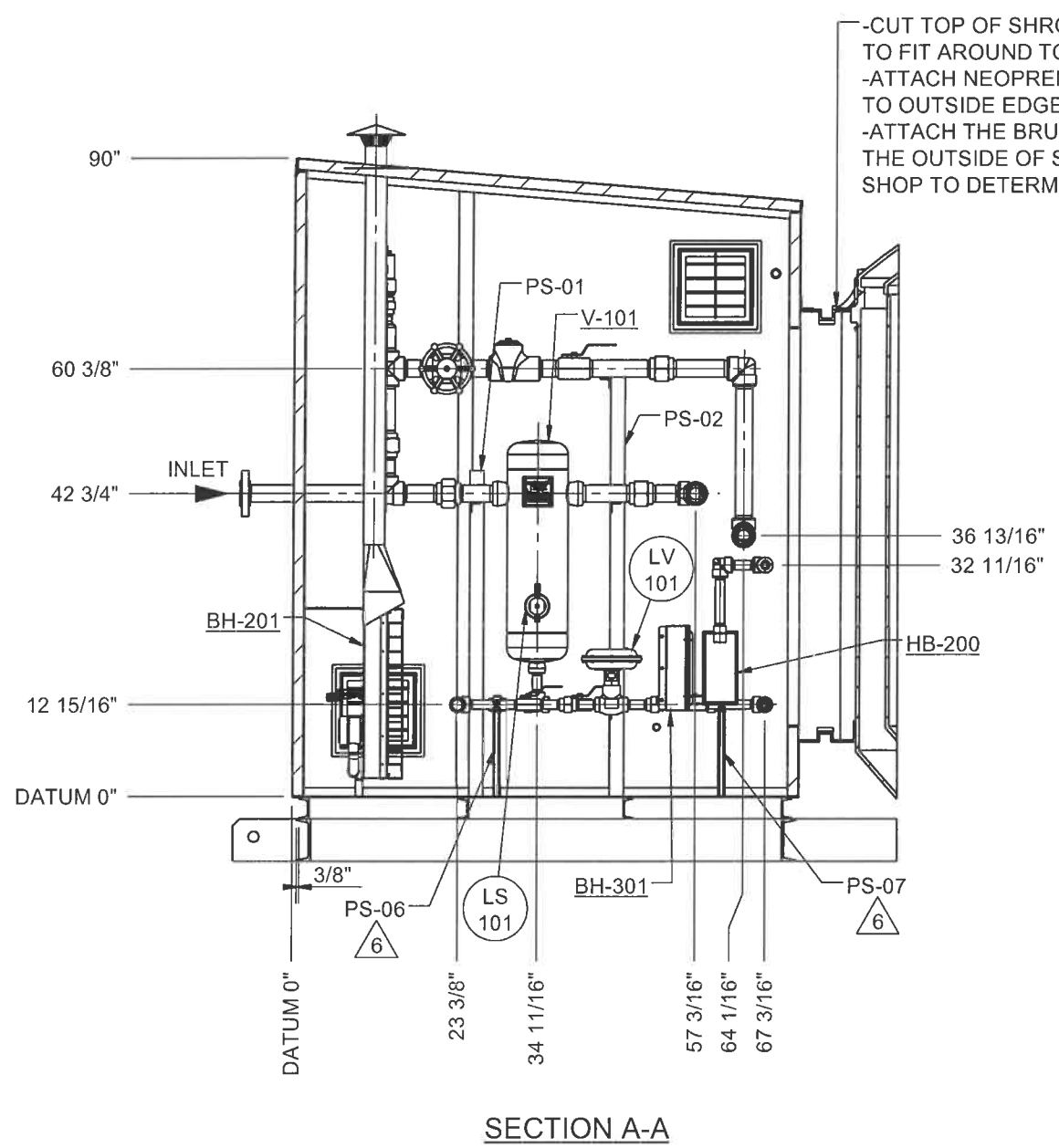
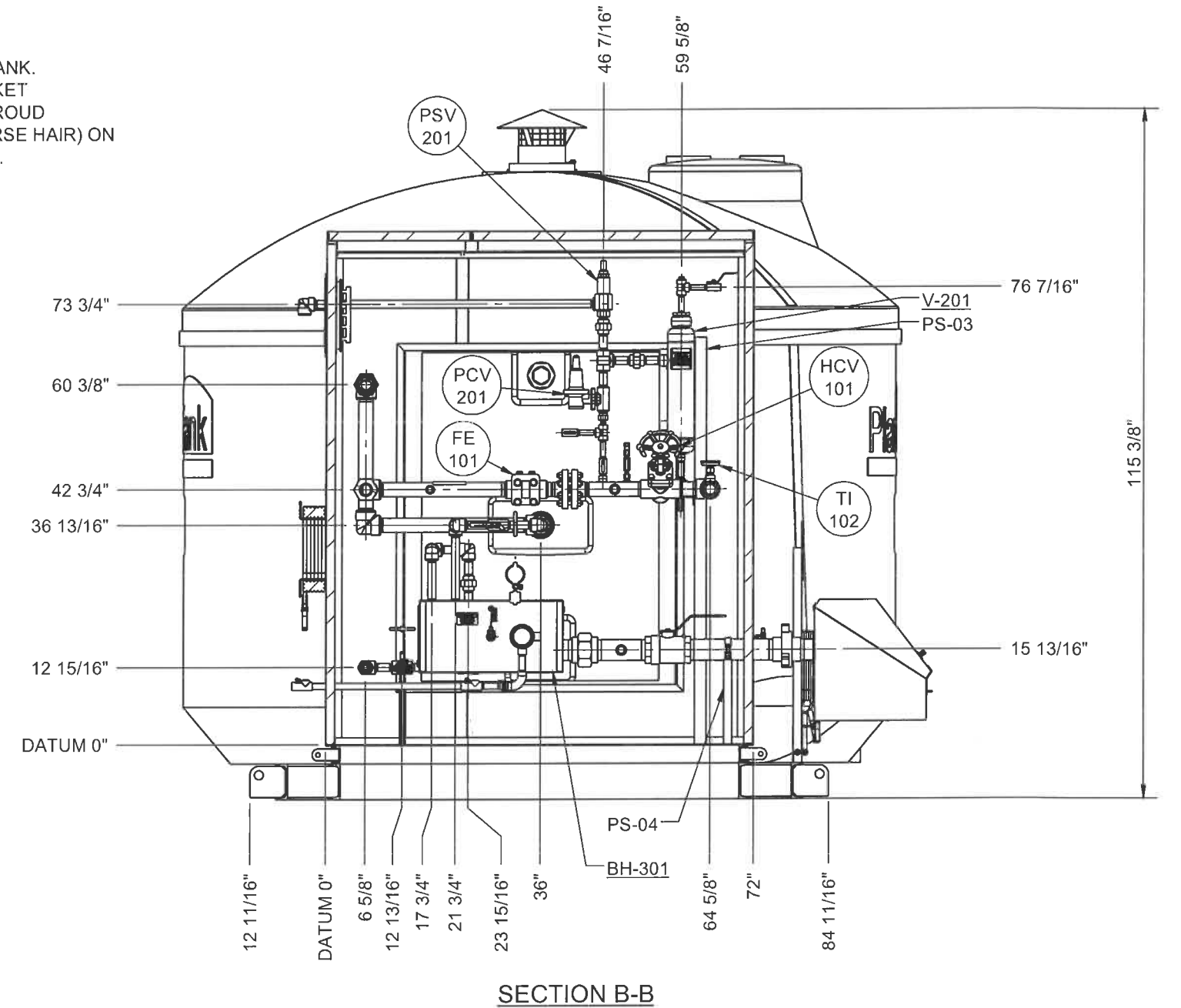


THIS DRAWING IS THE PROPERTY OF CRIMTECH SERVICES LTD. AND IS NOT TO BE COPIED, REPRODUCED OR DISTRIBUTED WITHOUT THE PRIOR WRITTEN CONSENT OF CRIMTECH SERVICES LTD.



-CUT TOP OF SHROUD TO FIT AROUND TOP OF TANK.
 -ATTACH NEOPRENE GASKET TO OUTSIDE EDGE OF SHROUD
 -ATTACH THE BRUSH (HORSE HAIR) ON THE OUTSIDE OF SHROUD.
 SHOP TO DETERMINE



NO.	DATE	REVISION DESCRIPTION	BY	CHKD	DISCIPLINE	APPD BY	DATE
0	05 03 17	ISSUED FOR CONSTRUCTION	MJP	JMB	PROCESS		
1	05 05 18	ADDED BLOWDOWN PIPING	JMB	DJB	MECHANICAL		
2	06 01 16	MOVED LI-100 TO OTHER SIDE, ADDED ELBOW	JMB	DJB	STRUCTURAL		
3	06 01 23	REVISED 8145A VESSEL	JMB	DJB	INSTRUMENT		
4	06 10 03	REVISED ARRANGEMENT TO ADD 12"x24" HEATER BOX	JHK	DJB	ELECTRICAL		
5	06 12 15	MOVED SKID, REVISED DIMENSIONS	DJB	DJB	Q.C.		
6	07 03 07	ADDED PIPE SUPPORTS	DJB	DJB	Q.C.		
-	-	-					

CRIMTECH
 Services Ltd
 PH 1-800-993-9958 WWW.CRIMTECH.COM

PATENT AND COPYRIGHT NOTICE
 THIS DRAWING HAS NOT BEEN PUBLISHED AND IS THE SOLE PROPERTY OF CRIMTECH SERVICES LTD. AND IS LENT TO THE BORROWER FOR THEIR CONFIDENTIAL USE ONLY. NO PART OF THIS DRAWING MAY BE REPRODUCED OR TRANSMITTED IN ANY FORM OR BY ANY MEANS, ELECTRONIC OR MECHANICAL, INCLUDING PHOTOCOPYING, RECORDING, OR BY ANY INFORMATION STORAGE AND RETRIEVAL SYSTEM, WITHOUT THE EXPRESS WRITTEN PERMISSION OF CRIMTECH SERVICES LTD. THE FLODRIP WELLHEAD SEPARATOR AND FLODRIP WELLHEAD SYSTEM ARE TRADEMARKS OF CRIMTECH SERVICES LTD. IN CANADA AND IN OTHER COUNTRIES.

SWEET GAS SEPARATOR PACKAGE MODEL NO. 8145BXP-150BF GENERAL ARRANGEMENT (SHEET 2 OF 3)		
ORDER BY:	HUSKY ENERGY INC	
END USER:	HUSKY ENERGY INC	
LSD:	CLIENT NO.:	SCALE:
-	-	1:24
SIZE	ERP NO.:	DRAWING NO.:
(more)	(93.)	1010693-GA-02
REV	6	

This document may be out-of-date because it has file references that may have been updated.

PRINTED: 3/7/2007 R:\Drawings\Finished Goods\8145A\8145BXP-150BFH (1010693)\1010693-GA-02