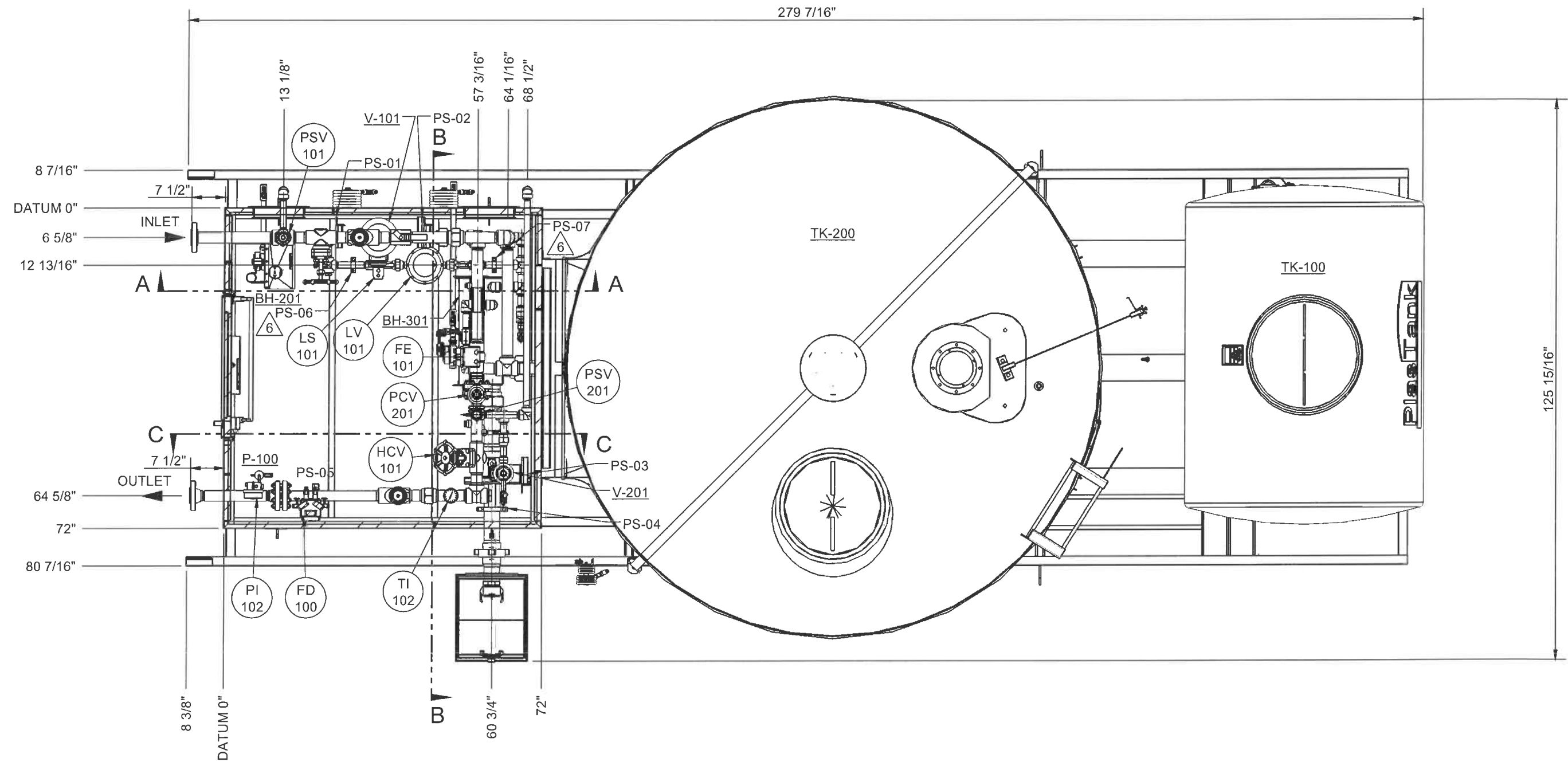


THIS DRAWING IS THE PROPERTY OF CRIMTECH SERVICES LTD. AND IS NOT TO BE COPIED, REPRODUCED OR DISTRIBUTED WITHOUT THE PRIOR WRITTEN CONSENT OF CRIMTECH SERVICES LTD.



PLAN VIEW

NO.	DATE	REVISION DESCRIPTION	BY	CHKD	DISCIPLINE	APPD BY	DATE
0	05 03 17	ISSUED FOR CONSTRUCTION	MJP	JMB	PROCESS		
1	05 05 18	ADDED BLOWDOWN PIPING	JMB	DJB	MECHANICAL		
2	06 01 16	MOVED LI-100 AND TANK TO OTHER SIDE, MOVED TI AND PI-102	JMB	DJB	STRUCTURAL		
3	06 01 23	REVISED PROJECTIONS AS PER NEW 8145 VESSEL	JMB	DJB	INSTRUMENT		
4	06 10 02	REVISED ARRANGEMENT TO ADD 12"x24" HEATER BOX	JHK	DJB	ELECTRICAL		
5	06 12 15	MOVED SKID, REVISED DIMENSIONS	DJB	DJB	Q.C.		
6	07 03 07	ADDED PIPE SUPPORT	DJB	DJB	Q.C.		
-	-	-					

This document may be out-of-date because it has file references that may have been updated. (more...)

PH 1-800-993-9958
WWW.CRIMTECH.COM

PATENT AND COPYRIGHT NOTICE
THIS DRAWING HAS NOT BEEN PUBLISHED AND IS THE SOLE PROPERTY OF CRIMTECH SERVICES LTD. AND IS LENT TO THE BORROWER FOR THEIR CONFIDENTIAL USE ONLY. NO PART OF THIS DRAWING MAY BE REPRODUCED OR TRANSMITTED IN ANY FORM OR BY ANY MEANS, ELECTRONIC OR MECHANICAL, INCLUDING PHOTOCOPYING, RECORDING, OR BY ANY INFORMATION STORAGE AND RETRIEVAL SYSTEM, WITHOUT THE EXPRESS WRITTEN PERMISSION OF CRIMTECH SERVICES LTD. THE FLODRIP WELLHEAD SEPARATOR AND FLODRIP WELLHEAD SYSTEM ARE TRADEMARKS OF CRIMTECH SERVICES LTD.

SWEET GAS SEPARATOR PACKAGE
MODEL NO. 8145BXP-150BF
GENERAL ARRANGMENT (SHEET 1 OF 3)

ORDER BY:
HUSKY ENERGY INC
END USER:
HUSKY ENERGY INC

CLIENT NO.:
SCALE: 1:24

DRAWING NO.:
1010693-GA-01

REV: 6

PRINTED: 3/30/2007 R:\Drawings\Finished Goods\8145A\8145BXP-150BFH (1010693)\1010693-GA-01