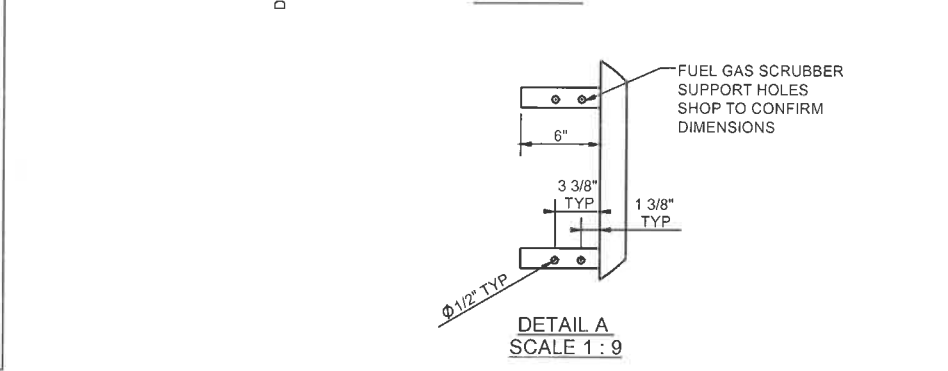
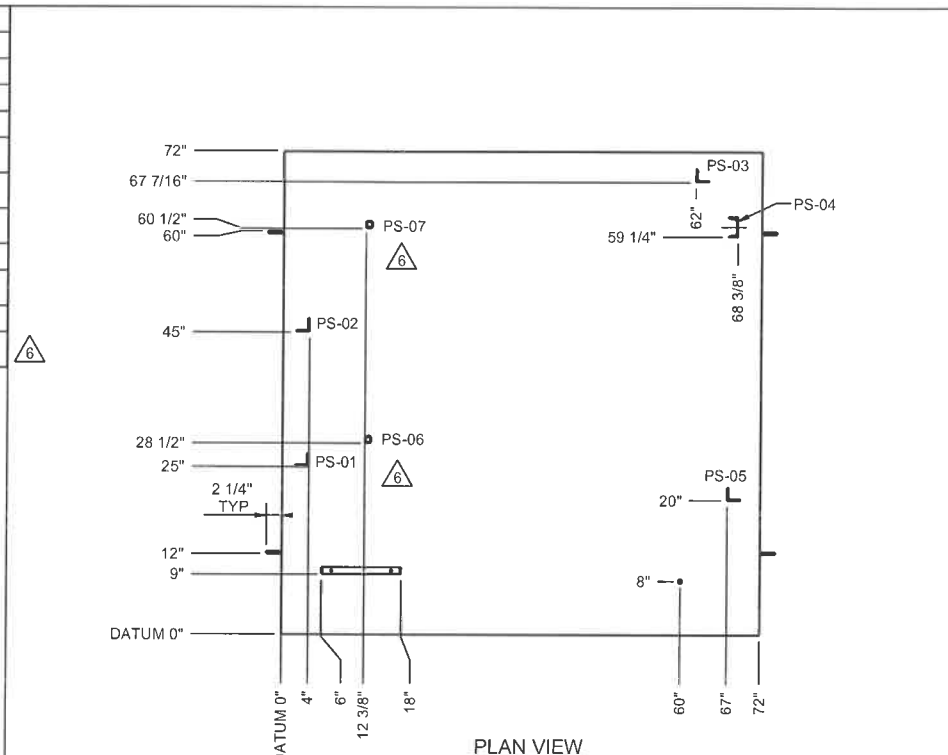
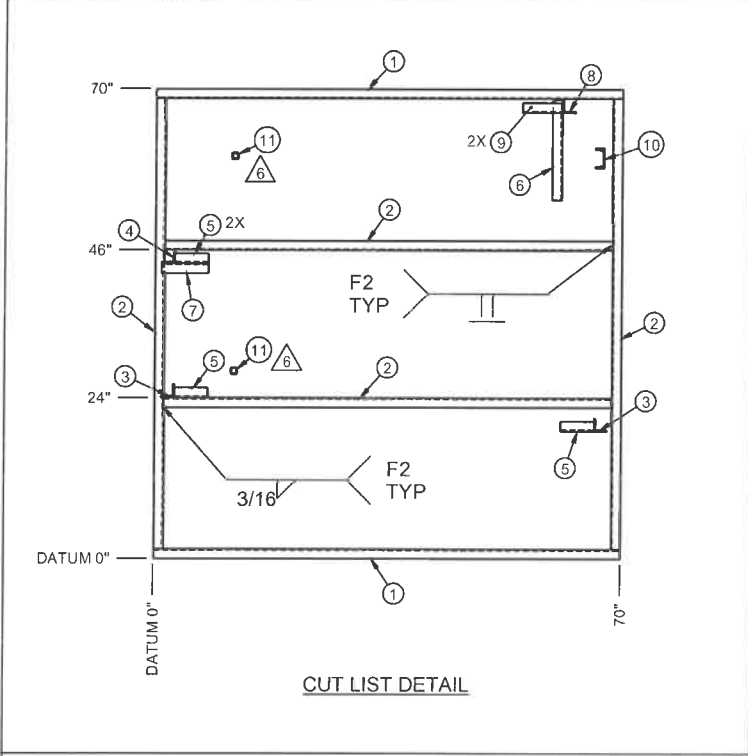
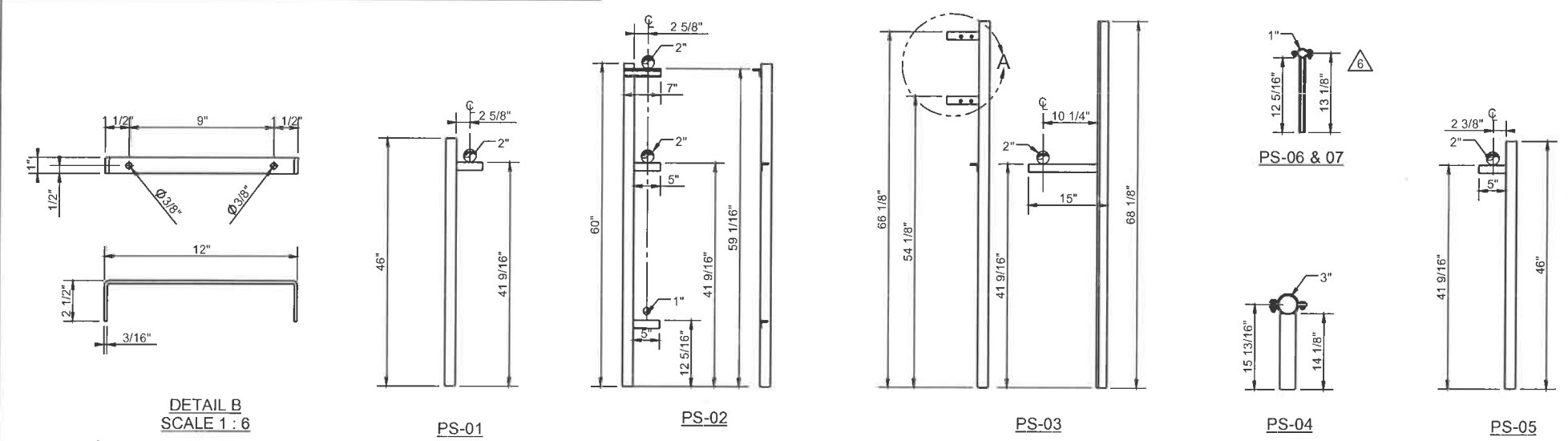
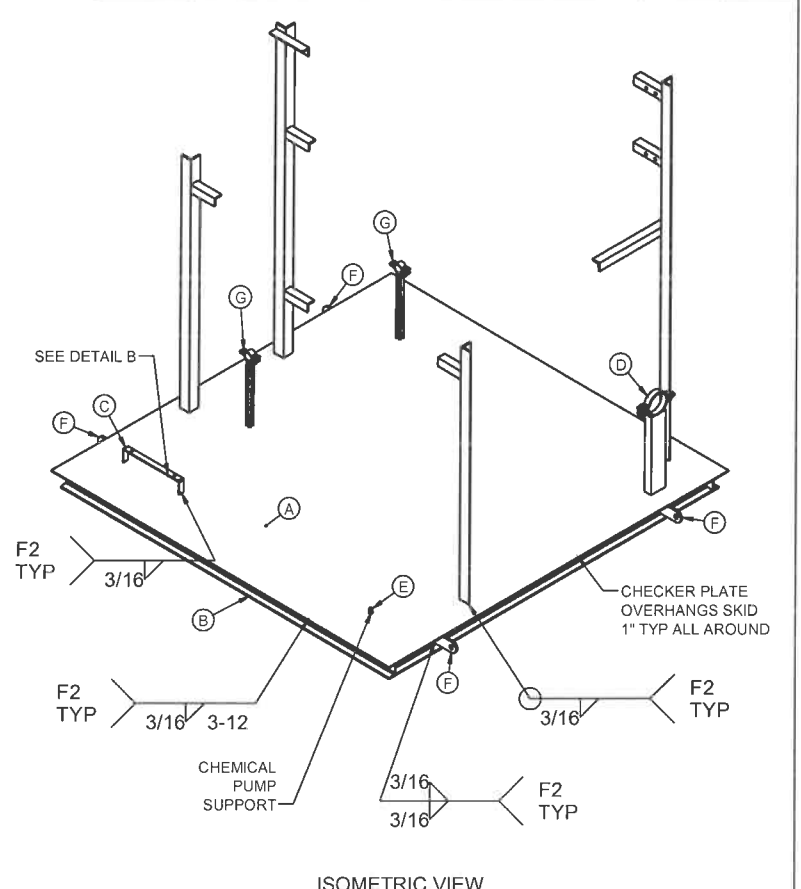


THIS DRAWING IS THE PROPERTY OF CRIMTECH SERVICES LTD. AND IS NOT TO BE COPIED, REPRODUCED OR DISTRIBUTED WITHOUT THE PRIOR WRITTEN CONSENT OF CRIMTECH SERVICES LTD.

ITEM	QTY	DESCRIPTION	LENGTH	ERP
1	2	STEEL CHANNEL, 3IN AT 4.1, G40.21M GR300W	70"	1000617
2	4	STEEL CHANNEL, 3IN AT 4.1, G40.21M GR300W	67 3/16"	1000617
3	2	STEEL ANGLE, 2IN X 2IN X 1/4IN, G40.21M GR300	46"	1006849
4	1	STEEL ANGLE, 2IN X 2IN X 1/4IN, G40.21M GR300	60"	1006849
5	4	STEEL ANGLE, 1 1/2IN X 1 1/2IN X 1/4IN, G40.21M 300W/44W/SA-36	5"	1006263
6	1	STEEL ANGLE, 1 1/2IN X 1 1/2IN X 1/4IN, G40.21M 300W/44W/SA-36	15"	1006263
7	1	STEEL ANGLE, 1 1/2IN X 1 1/2IN X 1/4IN, G40.21M 300W/44W/SA-36	7"	1006263
8	1	STEEL ANGLE, 2IN X 2IN X 1/4IN, G40.21M GR300	68 1/8"	1006849
9	2	STEEL ANGLE, 1 1/2IN X 1 1/2IN X 1/4IN, G40.21M 300W/44W/SA-36	6"	1006263
10	1	STEEL CHANNEL, 3IN AT 4.1, G40.21M GR300W	14 1/8"	1000617
11	2	STEEL TUBING, 1IN X 1IN X .125IN, HSS G40.21M GR350	12 5/16"	1000656



ITEM	QTY	DESCRIPTION	LENGTH	ERP
A	1	CHECKER PLATE, 72IN X 72IN X 3/16IN THICK, EXACT SIZE AND SQUARE G40.21M GR300		1002915
B	1	SEE 1010114 CUT LIST		
C	1	STEEL FLAT, 1IN X 3/16IN, G40.21M GR300W/44W	17"	1000625
D	1	GRINELL, 212, 3IN, STD 2 BOLT PIPE CLAMP		1000511
E	1	PLUG HEX, 1/4IN FS THRD, SA 105 N		1000766
F	4	FORMED PART, LUG, 3/8IN X 4 1/2IN X 2IN, SA-36		1012167
G	2	GRINELL, 212, 1IN, STD 2 BOLT PIPE CLAMP		1000513



- NOTES:**
1. ALL DIMENSIONS ARE IN INCHES UNLESS OTHERWISE NOTED.
 2. ALL SHARP CORNERS AND BURRS SHALL BE REMOVED PRIOR TO PAINTING.
 3. ALL LINEAR DIMENSIONS ARE TO BE ± 1/8" UNLESS NOTED OTHERWISE.
 4. ALL WELDING SHALL BE AS PER CSA W47.1
 5. ALL FILLET WELDS TO BE 3/16" UNLESS OTHERWISE NOTED.
 6. ERP# AND WO# TO BE MARKED IN INDELIBLE INK ON STRUCTURE.

STRUCTURAL DESIGN DATA	
CWB SYMBOL NO:	577-2
CWB WELDING PROCEDURE:	FC-1
WELDING DATA SHEET NO:	F2
WELDING STANDARD:	CSA-W47.1
DESIGN STANDARD:	CSA-S16.1
SURFACE PREP:	SSPC-SP3
PAINT SPEC:	HUSKY
PRIMER COAT:	RUST GUARD GRAY
FINISH COAT:	INDUSTRIAL SILVER GRAY
LIFT WEIGHT:	APPROX 492 lbs
INSULATION TYPE:	RTC RT-2051-2.0-W
INSULATION THICKNESS:	2"
INSULATION COATING:	NONE

NO.	DATE	REVISION DESCRIPTION	BY	CHKD	DISCIPLINE	APPD BY	DATE
0	05 02 15	ISSUED FOR CONSTRUCTION	MJP	DJB	PROCESS		
1	05 05 18	LOWERED PIPE SUPPORT 1/2"	JMB	DJB	MECHANICAL		
2	05 12 02	ADDED LIP TO SCS	JMB	ALM	STRUCTURAL		
3	05 12 12	UPDATED DRAWING STANDARDS	DJB	JMB	INSTRUMENT		
4	06 10 04	REVISED ARRANGEMENT TO ADD 12"x24" HEATER BOX	JHK	DJB	ELECTRICAL		
5	06 12 15	MOVED PS-2 TO PS-03	DJB	DJB	STRUCTURAL		
6	07 03 07	ADDED PIPE SUPPORTS	DJB	DJB	Q.C.		
-	-	-	-	-	ESTIMATOR		

CRIMTECH
Services Ltd
PH 1-800-993-9955
WWW.CRIMTECH.COM

COPYRIGHT NOTICE
THIS DRAWING HAS NOT BEEN PUBLISHED AND IS THE SOLE PROPERTY OF CRIMTECH SERVICES LTD. AND IS LOANED TO THE BORROWER FOR THEIR CONFIDENTIAL USE ONLY. IT IS NOT TO BE REPRODUCED, COPIED, OR TRANSMITTED IN ANY FORM OR BY ANY MEANS, ELECTRONIC OR MECHANICAL, INCLUDING PHOTOCOPYING, RECORDING, OR BY ANY INFORMATION STORAGE AND RETRIEVAL SYSTEM, WITHOUT THE EXPRESS WRITTEN PERMISSION OF CRIMTECH SERVICES LTD. THE FLOOR/WEL HEAD SEPARATOR AND FLOOR/WEL HEAD SEPARATOR SYSTEM ARE PROTECTED BY CANADIAN PATENT 2,235,452 AND US PATENT 5,972,061.

SWEET GAS SEPARATOR PACKAGE	
6'-0" x 6'-0" BUILDING PONY SKID	
STRUCTURAL ASSEMBLY	
ORDER BY:	
END USER:	
CLIENT NO.:	
SCALE:	1:18
REV NO.:	
DRAN NO.:	1010114-ST-01
REV	6

PRINTED: 3/7/2007 R:\Drawings\Assemblies\Structural\Building Skids\1010114-ST-01