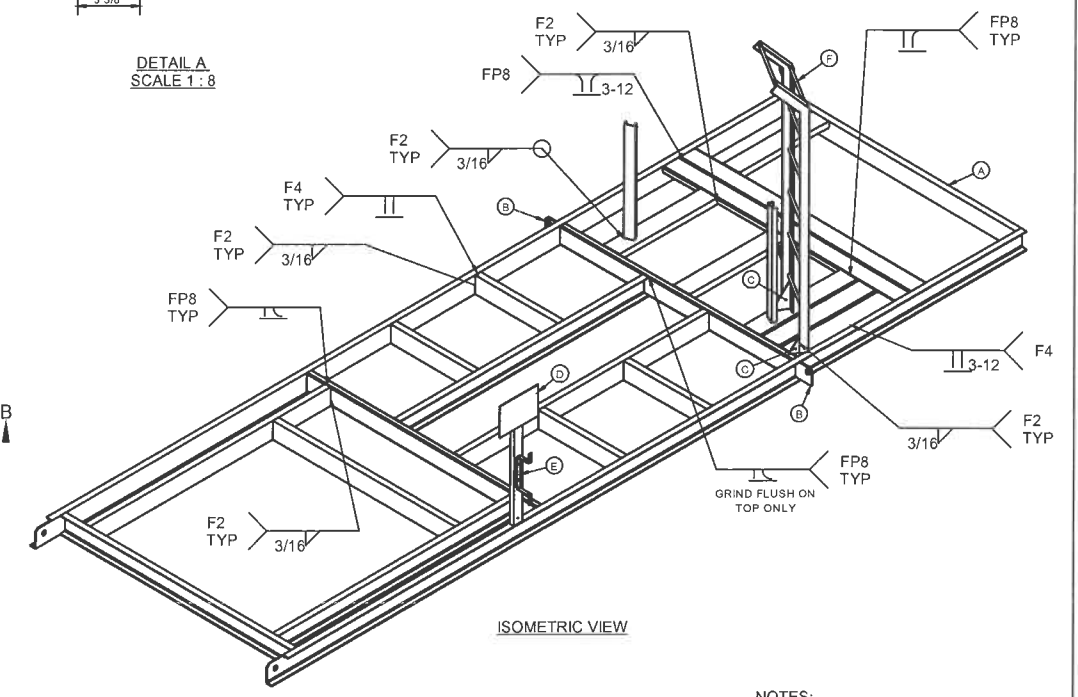
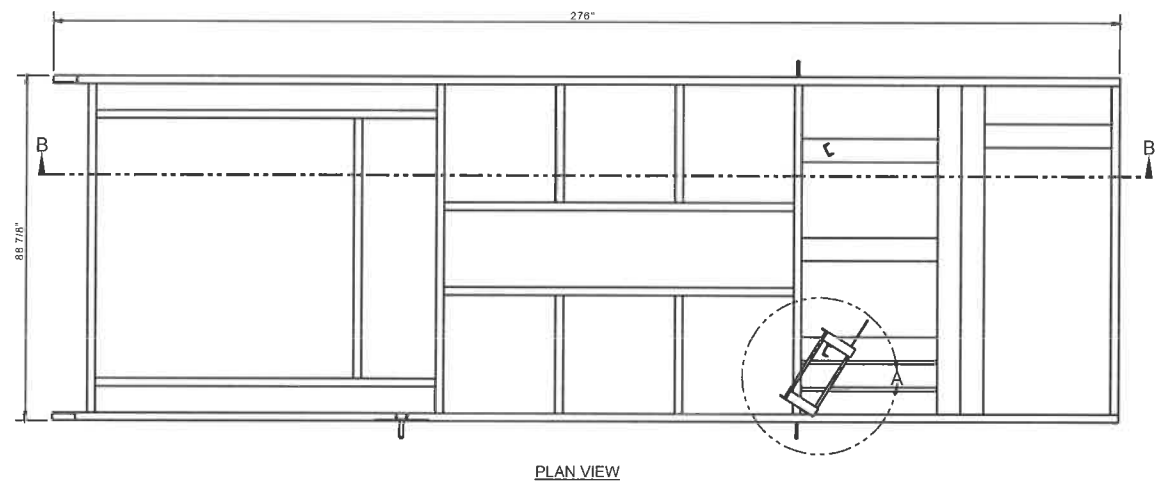
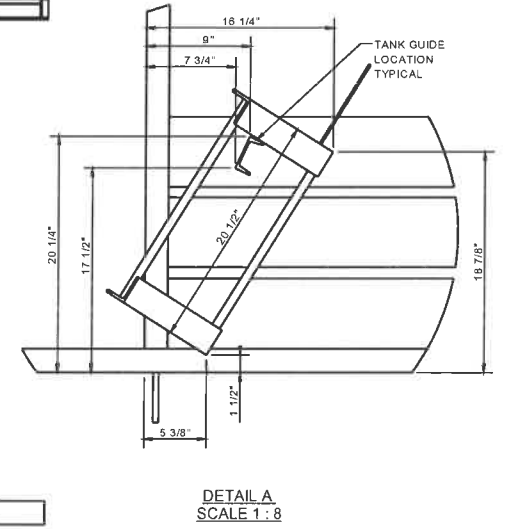
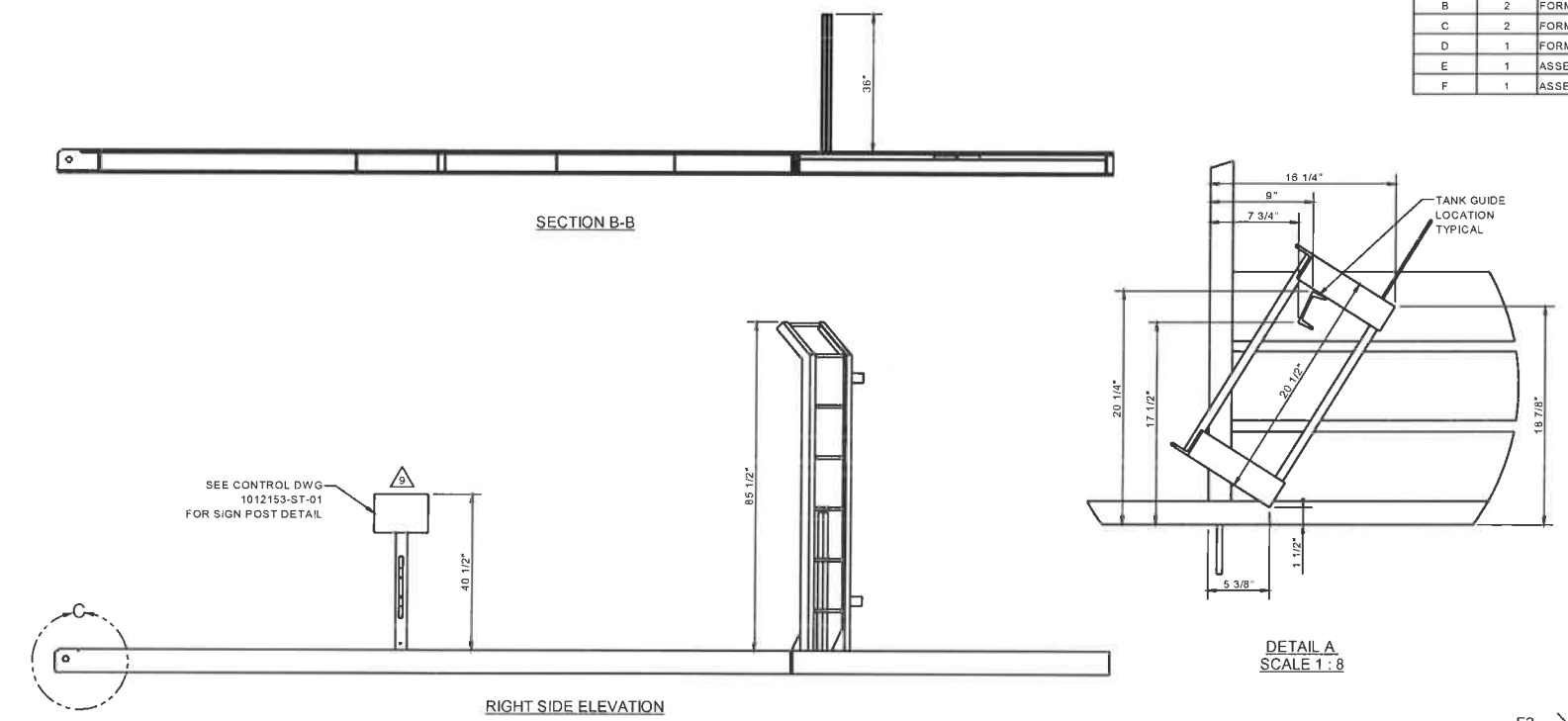
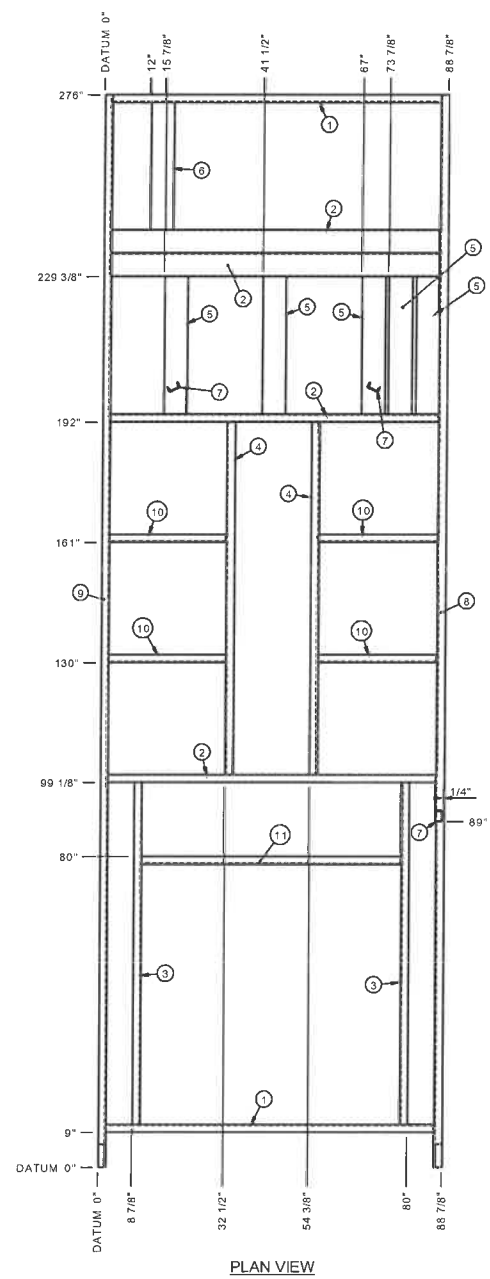


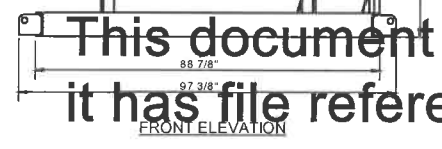
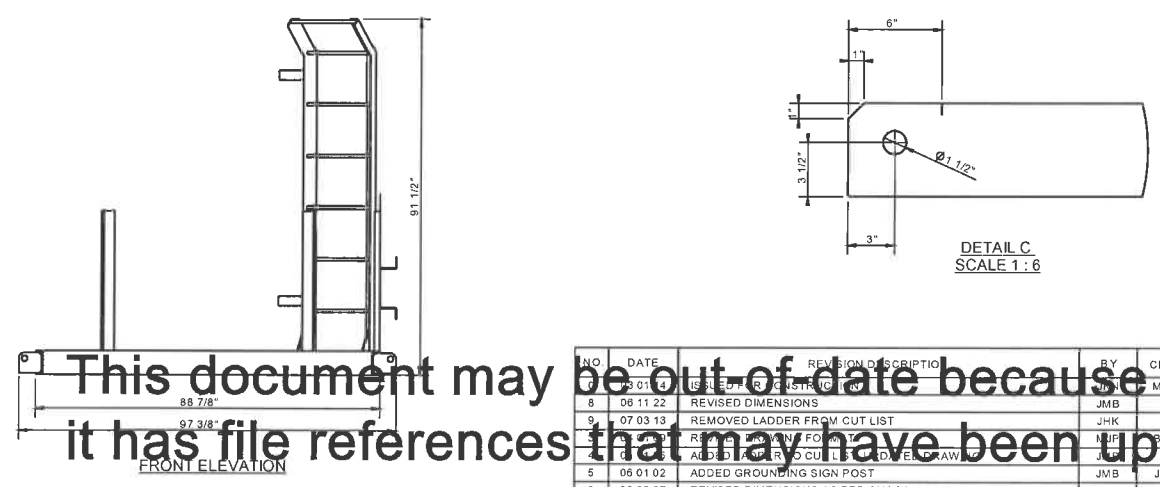
ITEM	QTY	DESCRIPTION	LENGTH	ERP
1	2	STEEL CHANNEL, 6IN AT 10.5, G40 21M GR300W	84 3/4"	1001621
2	4	STEEL TUBING, 6IN X 2IN X .188IN, HSS G40 21M GR350W	84 3/4"	1007971
3	2	STEEL CHANNEL, 6IN AT 10.5, G40 21M GR300W	88 1/8"	1001621
4	2	STEEL CHANNEL, 6IN AT 10.5, G40 21M GR300W	90 7/8"	1001621
5	5	STEEL CHANNEL, 6IN AT 10.5, G40 21M GR300W	35 3/8"	1001621
6	1	STEEL CHANNEL, 6IN AT 10.5, G40 21M GR300W	32 5/8"	1001621
7	3	STEEL CHANNEL, 3IN AT 4.1, G40 21M GR300W	36"	1000517
8	1	STEEL CHANNEL, 6IN AT 10.5, G40 21M GR300W	278"	1001621
9	1	STEEL CHANNEL, 6IN AT 10.5, G40 21M GR300W	278"	1001621
10	4	STEEL CHANNEL, 6IN AT 10.5, G40 21M GR300W	30 1/2"	1001621
11	1	STEEL CHANNEL, 6IN AT 10.5, G40 21M GR300W	67"	1001621

ITEM	QTY	DESCRIPTION	ERP
A	1	SEE 1003706 CUT LIST	
B	2	FORMED PART, 6IN X 5 1/4IN X 1/2IN THK, LIFTING LUG FOR 6IN CHANNEL, 44W	1008030
C	2	FORMED PART, 6IN X 9IN X 1/4IN, LADDER GUSSET, SA-36	1002163
D	1	FORMED PART, 10IN X 14IN X 1/8IN, G40 21M GR300W/44W	1002243
E	1	ASSEMBLY, CABLE BRACKET,	1000080
F	1	ASSEMBLY, LADDER FOR 85 BBL TANK	1001294



- NOTES:**
1. ALL DIMENSIONS ARE IN INCHES UNLESS OTHERWISE NOTED.
 2. ALL SHARP CORNERS AND BURRS SHALL BE REMOVED PRIOR TO PAINTING.
 3. ALL LINEAR DIMENSIONS ARE TO BE $\pm 1/8"$ UNLESS NOTED OTHERWISE.
 4. ALL WELDING SHALL BE AS PER CSA W47.1
 5. ALL FILLET WELDS TO BE 3/16" UNLESS OTHERWISE NOTED.
 6. ERP# AND W# TO BE MARKED IN INDELIBLE INK ON STRUCTURE.

STRUCTURAL DESIGN DATA	
CWB SYMBOL NO:	577-2
CWB WELDING PROCEDURE:	FC-1
WELDING DATA SHEET NO:	F2, F4, FP8
WELDING STANDARD:	CSA-W47.1
DESIGN STANDARD:	CSA-S16.1
SURFACE PREP:	SSPC-SP3
PAINT SPEC:	CRIMTECH
PRIMER COAT:	RUST GUARD FLAT BLACK
FINISH COAT:	INDUSTRIAL GLOSS BLACK
LIFT WEIGHT:	1660 lbs
INSULATION TYPE:	NONE
INSULATION THICKNESS:	NONE
INSULATION COATING:	NONE
85BBL, 6'x 6' BUILDING, AND ANY CHEMICAL TANK	
23'-0" LONG x 7'-4 7/8" WIDE	
STRUCTURAL ASSEMBLY - SKID	



NO	DATE	REVISION DESCRIPTION	BY	CHKD	DISCIPLINE	APPD BY	DATE
1	03 01 10	DESIGNED FOR BUILDING PERM	JMB	MDN	PROCESS		
2	08 11 22	REVISED DIMENSIONS	JMB	-	MECHANICAL		
3	07 03 13	REMOVED LADDER FROM CUT LIST	JHK	-	STRUCTURAL		
4	06 01 02	ADDED GROUNDING SIGN POST	JMB	JLM	SHOP		
5	06 01 02	ADDED GROUNDING SIGN POST	JMB	JLM	SHOP		
6	08 03 27	REVISED DIMENSIONS AS PER SHOP MARK UPS	DJB	-	Q.C.		
7	06 10 10	ADDED MEMBER UNDER LADDER	JMB	-	ESTIMATOR		

CRIMTECH Services Ltd
 PH: 1-800-993-2955
 WWW.CRIMTECH.COM

PATENT AND COPYRIGHT NOTICE
 THIS DRAWING HAS NOT BEEN PUBLISHED AND IS THE PROPERTY OF CRIMTECH SERVICES LTD AND IS LENT TO THE USER FOR THE USER'S CONFIDENTIAL USE ONLY. NO PART OF THIS DRAWING MAY BE REPRODUCED OR TRANSMITTED IN ANY FORM OR BY ANY MEANS, ELECTRONIC OR MECHANICAL, FOR ANY PURPOSES WITHOUT THE EXPRESS WRITTEN PERMISSION OF CRIMTECH SERVICES LTD. THE CORP WELLS HEAD SEPARATOR AND FLOOR JOIST WELLS HEAD SEPARATOR SYSTEM ARE PROTECTED BY CANADIAN PATENT 2,294,882 AND US PATENT 8,922,981

ORDER BY: _____
 END USER: _____
 CLIENT NO.: _____
 SCALE: 1:24
 DRAWING NO.: 1003706
 1003706-ST-01
 REV: 9

THIS DRAWING IS THE PROPERTY OF CRIMTECH SERVICES LTD., AND IS NOT TO BE COPIED, REPRODUCED OR DISTRIBUTED WITHOUT THE PRIOR WRITTEN CONSENT OF CRIMTECH SERVICES LTD.

This document may be out-of-date because it has file references that may have been updated. (more)

PRINTED: 3/13/2007 R:\Drawings\Assemblies\Structural\85 BBL Combo\Shds1003706-ST-01