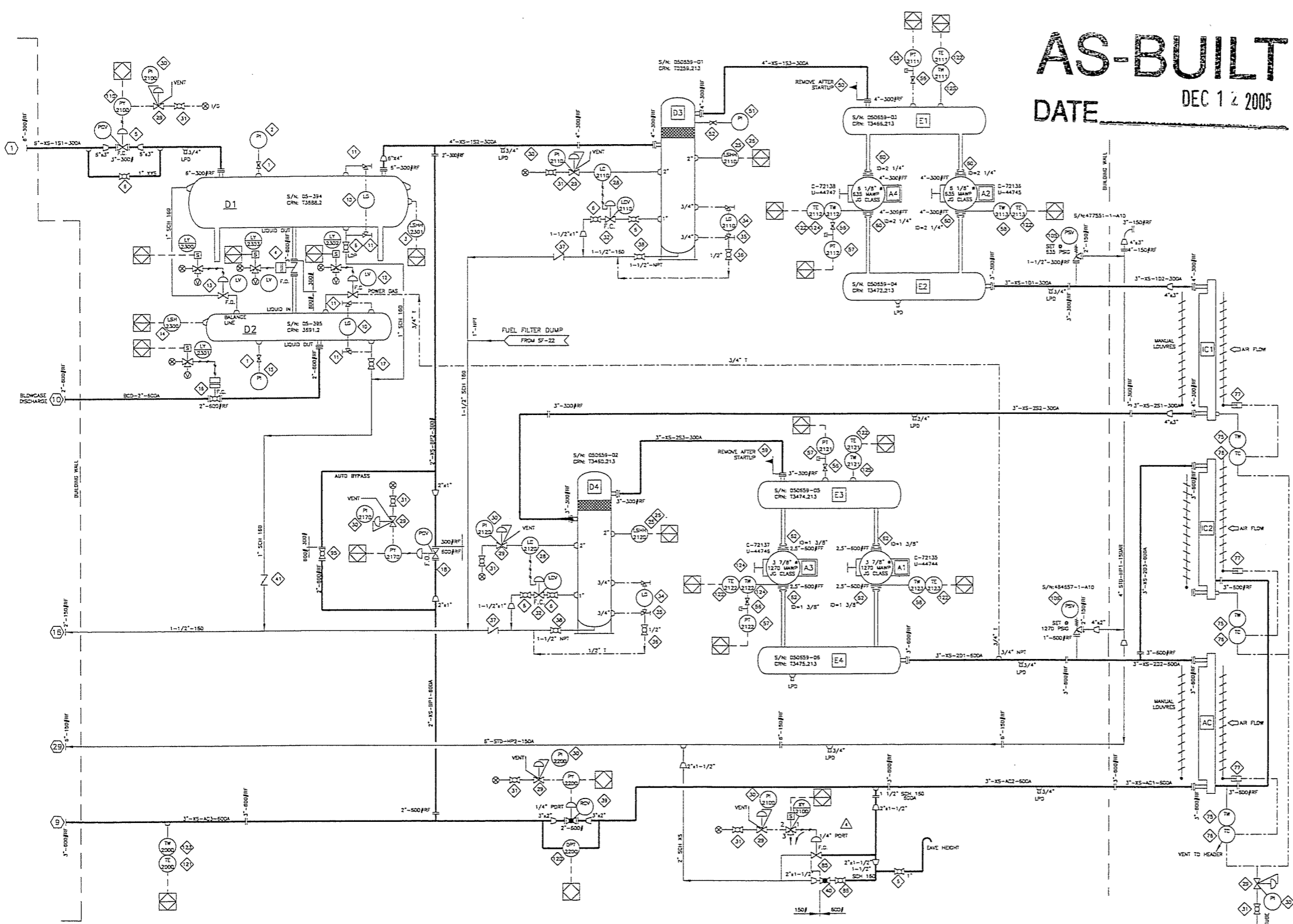


D1 SLUG CATCHER 35" OD x 72" S/S 740 PSIG MAMP @ 100°F
 D2 BLOWCASE 18" OD x 45" S/S 1292 PSIG MAMP @ 350°F
 D3 STAGE 1 SUCTION SCRUBBER 24" OD x 64" S/S 655 PSIG MAMP @ 300°F
 D4 STAGE 2 SUCTION SCRUBBER 18" OD x 64" S/S 655 PSIG MAMP @ 300°F
 E1 STAGE 1 SUCTION BOTTLE 10 3/4" OD x 40" S/S 655 PSIG MAMP @ 300°F
 E2 STAGE 1 DISCHARGE BOTTLE 10 3/4" OD x 40" S/S 645 PSIG MAMP @ 350°F
 E3 STAGE 2 SUCTION BOTTLE 8 5/8" OD x 38" S/S 655 PSIG MAMP @ 300°F
 E4 STAGE 2 DISCHARGE BOTTLE 8 5/8" OD x 38" S/S 1292 PSIG MAMP @ 350°F
 IC1 INTERCOOLER SECTION 645 PSIG MAMP @ 350°F
 AC AFTERCOOLER SECTION 1292 PSIG MAMP @ 350°F

1C2/AC INTERCOOLER SECTION/AFTERCOOLER SECTION 1292 PSIG MAMP @ 350°F



AS-BUILT
 DATE DEC 12 2005

ITEM	QTY	EFX CODE	DESCRIPTION
1	2	108304	VALVE, NEEDLE, 3/4" MNPT x 1/2" FNPT, CS, [CENTURY, CM11L-3-M84T-CN-1-SP100]
2	1	107825	GAUGE, PRESSURE, BM, 4-1/2" LF, 0-1000 PSI DUAL, 1/2" NPT [CPW, 702-1000]
3	1	104493	SWITCH, LEVEL, 1-1/2" NPT, XP, CSA, SPDT [H] C/W BUOYGLAS FLOAT [MURPHY, L1100]
4	1	104802	VALVE, BUTTERFLY, WAFER, 3" 600#, WCB, NACE C/W BETTIS ACTUATOR, FD [POS-SEAL]
5	1	120139	VALVE, CONTROL, 3" 3/500# WCC, FC, 3-15#, [FISHER, 1051-V200-40]
6	6	118808	VALVE, BALL, 1" NPT, 3000# WCC, RP, CS, LOW TEMP, NACE, [NUTRON, T3-R10530SL2]
10	2	103697	GAUGE, LEVEL, CS WITH REFLEX FLAT GLASS, 1880# [DANIEL, 91RL]
11	2	103693	VALVE, SET GAUGE, SWEET, 1/2" FNPT x 3/4" MNPT, CS, 3470# [DANIEL, 15]
12	1	103838	VALVE, CONTROL, 1" NPT, 1/2" OR, FC, STD TRIM [NORRSEAL, 2275-S40RTV9B4]
13	1	103639	VALVE, CONTROL, 1" NPT, 1/2" OR, FD, STD TRIM [NORRSEAL, 2275-S40RTV9B4]
14	1	104499	SWITCH, LEVEL, 2" NPT, XP, CSA, SPDT C/W BUOYGLAS FLOAT [MURPHY, L1200]
15	1	107827	GAUGE, PRESSURE, BM, 4-1/2" LF, 0-2000 PSI DUAL, 1/2" NPT [CPW, 702-2000]
16	1	104961	VALVE, CONTROL, 2" 800# RF, FP, CS C/W BALL VALVE & ACT, FC [NUTRON/BETTIS]
17	1	103027	VALVE, BALL, 1" NPT, 3000# WCC, RP, CS C/W LOCKING [WKW, FB138-CS-43-CS/HL]
18	1	120233	VALVE, CONTROL, 1" 500# RF, LCC, 3/4" OR, FD, NACE, 0-33 PSI [FISHER, D4]
25	2	104498	SWITCH, LEVEL, 2" NPT, XP, CSA, SPDT C/W BUOYGLAS FLOAT [MURPHY, L1200SS]
26	2	118127	FLOAT ARM EXTENSION, 1" LONG, FOR L1100 & L1200 [MURPHY, 15000892]
28	2	101146	CONTROLLER, LEVEL, 2" NPT, 316SS HOUSING, SOUR C/W INTERFACE [LINC, 282-13-10]
29	7	104872	REGULATOR, 1/4" NPT, ALUM, 0-125#, TAPPED (W/O PI) [FISHER, 57CFR-S01/SPEC]
30	7	107933	GAUGE, PRESSURE, CSW, 1-1/2" DRY, 0-60 PSI DUAL, 1/8" NPT [WKA, 111.10]
31	7	102950	VALVE, BALL, 1/4" NPT, 2000# WCC, RP, 316SS, NACE C/W [NAVCO, C01-R252DA]
32	2	104854	VALVE, CONTROL, 1" NPT, LCC, FLOW ADJ, FC, NACE, 0-35# [FISHER/FLOPRO, D2-X1]
34	2	103680	GAUGE, LEVEL, CS WITH REFLEX FLAT GLASS, NACE, 1820# [DANIEL, 71RL-N]
35	2	103896	VALVE, SET GAUGE, NACE, 1/2" FNPT x 3/4" MNPT, CS, 3470# [DANIEL, 15-N]
36	2	103046	VALVE, BALL, 1/2" NPT, 3000# WCC, RP, CS, NACE C/W [WKW, RB138-CS2-43-SZ/HL]
37	2	103072	VALVE, CHECK, PISTON, 1-1/2" NPT, WCC, NON-SLAM, NACE [WHEATLEY, SERIES 75]
38	2	103028	VALVE, BALL, 1-1/2" NPT, 3000# WCC, RP, CS C/W LOCKING [WKW, FB138-CS-43-CS/HL]
39	1	118193	VALVE, CONTROL, 2" 600# WCC, FC, NACE, ANTI-STATIC [FISHER, 1052-V200-20]
40	1	102866	VALVE, GLOBE, 1-1/2" NPT, 800# WCC, CS [NEWCO, 281-FS2]
41	1	103069	VALVE, CHECK, PISTON, 1" NPT, 800# WCC, CS [NEWCO, 48T-FS2]
50	1	104244	STRAINER, CONE, 4" 300# CS, 40 MESH, 150# FLOW AREA
51	1	107884	GAUGE, PRESSURE, BM, 4" LF, 0-1000 PSI DUAL, 1/2" NPT [WKA, 233.54]
52	1	113314	VALVE, NEEDLE, 3/4" MNPT x 1/2" FNPT, 316SS, NACE, [CENTURY, CM2-1-M84T-DN-1]
55	1	113861	TRANSMITTER, PRESSURE, SMART, 0-435 PSIG RING, NACE, CS [BARTON, FKGG03V2AEBYAA]
56	4	112379	VALVE, NEEDLE, 3/8" TUBE, 316SS, NACE C/W SS FERRULES [WHITEY, SS-1V56-S0]
57	3	113860	TRANSMITTER, PRESSURE, SMART, 0-1500 PSIG RING, NACE, [BARTON, FKGG04V2AEBYAA]
59	1	104236	STRAINER, CONE, 3" 300# CS, 40 MESH, 150# FLOW AREA
60	4	105319	***ORIFICE PLATE, TYPE 520, 316LSS, 1/8" THK, 4" 300#
62	4	100768	***ORIFICE PLATE, TYPE 520, 316LSS, 1/8" THK, 2-1/2" 600#
75	3	104071	THERMOWELL, 316SS, 1" NPT x 18" LONG, SS-18-SS FOR HT18 CONTROLLER [KIMRAY, HCF]
76	3	104058	CONTROLLER, TEMP, HT-18, 1/2" NPTM x 18" LONG PROBE WITHOUT T'WELL [KIMRAY, H8B]
77	3	112799	ACTUATOR, 6-30 PSIG C/W LINKAGES [GARZO, 501-12-5-30]
85	1	NPV-REQ	VALVE, CONTROL, 2" NPT, LCC, 1" OR, FD, [FISHER, D4]
86	1	103028	VALVE, BALL, 1-1/2" NPT, 3000# WCC, RP, CS C/W LOCKING [WKW, FB138-CS-43-CS/HL]
95	1	102913	VALVE, BALL, 2" 600# RF, FP, CS C/W HANDLE [NUTRON, T3-F20R065]
105	1	103872	VALVE, PSY, 1-1/2" 300#RF x 2" 150#RF, .307 OR, NACE L [FARRIS, 25FA12-120/00]
106	1	103871	VALVE, PSY, 1" 600#RF x 2" 150#RF, .196 OR, NACE L [FARRIS, 25EA13-120/00]
110	2	119451	VALVE, POSITIONER, C/W MTG KIT, CSA, XP [SIEMENS, PS-2]
120	1	126580	TRANSMITTER, PRESSURE, DIFF, -14 TO 2300 PSIG RING, NACE, [BARTON, FKCG3BV4EDYAA]
121	1	123380	THERMOCOUPLE, K TYPE 316SS, 1/4" [THERMOKINETICS, K250-316-S-D10.0-B-82X-YM4-J2]
122	6	123377	THERMOCOUPLE, K TYPE, 316SS 1/8" [THERMOKINETICS, K125-316-S-D10.0-B-82X-YM1-J2]
123	1	107976	THERMOWELL, 316SS, 1/2" x 3/4" NPTM x 4" LONG, U=2.5", 260" BORE, STEPPED
124	2	1141980	T'WELL, 316SS, 1/8" x 1/2" MNPT, 1/4" FNPT PRESSURE PORT, U=2.625", 1650 MAMP
125	2	100797	THERMOWELL, 316SS, 1/2" x 3/4" NPTM x 9" LONG, U=5.75", 260" BORE, STEPPED
BILL OF MATERIAL: W 050659-46 - PROCESS AND INSTRUMENTATION			
DATE-TIME EXPORTED: 2005-07-04-10.42			

REV	DESCRIPTION	DATE	DRAWN BY	CHECKED BY
5	AS BUILT	05/10/05	ATH	GS
4	AUTO BLOWDOWN TO 2" NPT	05/08/05	MGN	GS
3	REVISED TES, TWS, BLOWDOWN, BYPASS & DISCH CONTROLS	05/05/05	ATH	
2	REVISED ITEM # 39 & 85	05/08/02	MGN	
1	ISSUED FOR CONSTRUCTION	05/07/02	MGN	CT
0	ISSUED FOR APPROVAL	05/07/04	PAG/MGN	CT

ENRFLX Compression
 ENERFLX
 4700 47 Street SE Calgary AB Canada T2B 3R1 Canada Tel. +1.403.235.6800 Fax +1.403.279.0367
 www.enrflx.com

TITLE: PROCESS & INSTRUMENTATION DIAGRAM
 ARIEL JGA/4, WAUKESHA F18GL, AXC 93EH
 COMPRESSOR PACKAGE

FOR: DEVON CANADA CORPORATION
 NARRAWAY, AB.

CONSULTANT: GAS LIQUIDS ENGINEERING
 P.O.: FAC 050962
 LSD: TBA
 JOB No.: 050659

DRWN BY: PAG DESIGN BY: CRT DATE: [Signature]
 DATE: 05/06/22 CHKD BY: [Signature] DATE: [Signature]
 SCALE: NTS APPVD BY: [Signature] DATE: [Signature]

DWG. No. PF-050659-50 OP # 50

P:\Projects\Automation\050659\1\rd\PF-050659-50.dwg Dec 12, 2005 - 10:21am