

P-102
CHARGE PUMP
MAKE: GOULDS
MODEL: 1X1.5-8, 3196
SUCTION: 1.5" F.F.
DISCHARGE: 1"-150# F.F.

P-101
TRIPLEX PLUNGER PUMP
MAKE: WHEATLEY
MODEL: P323
SIZE: 63 HP @ 500 RPM
SUCTION: 2.5" F.N.P.T.
DISCHARGE: 2" F.N.P.T.
PLUNGER SIZE: 2"

PSL-101
LOW PRESSURE SWITCH
MAKE: CCS DUAL SNAP
MODEL: 69000ZE14
SIZE: 1/2"
MAX. PRESS.: 15 psi FALLING
DESIGN PRESS.: FALLING SHUTOFF

PT-101
PRESSURE TRANSMITTER
MAKE: ROSEMOUNT
MODEL: T.B.A.
CALIBRATE: T.B.A.
CONNECTION: 1/2" NPT

FQI-101
TURBINE FLOW METER
FLOW TOTALIZER
MAKE: PRIMARY FLOW
MODEL: WM0150X2
SIZE: 1.5"x2.0"
MAX. PRESSURE: 3,700 psi
END CONNECTIONS: SANDWICH STYLE
FLOW ANALYZER
LOCAL INDICATION ONLY

F-101
SUCTION FILTER
MAKE: J.L. FILTRATION
MODEL: 1-BAG FILTER
FILTER SIZE: 30 MICRON
CONNECTION SIZE: 3" 150# R.F.

S-101
SUCTION STABILIZER
MAKE: STATUS FLOW
MODEL: T.B.A.
CONNECTION: 3" 150# R.F.

DT-101
DRY TANK
MAKE: KENCO
SIZE: 55 GAL

LSL-101
LOW LEVEL SWITCH
MAKE: MURPHY
MODEL: EL-150-EX

ACV-101
AUTOMATED CONTROL BYPASS VALVE
MAKE: NUTRON
ACTUATOR BETTIS
MODEL: T.B.A.
SIZE: 2"-800 ANSI

LS-101
LEVEL SWITCH
MAKE: SCR
MODEL: 1560C-FSA-C-W9-ES
CONNECTION: 1 1/2" NPT
CLASS 1, DV. 2
INPUT POWER: 110 VAC

M-102
ELECTRIC MOTOR (CHARGE PUMP)
MAKE: TECO-WESTINGHOUSE
SIZE: 5 HP, 1200 RPM
480V/60Hz/3 PHASE
FRAME: 215T
IMPELLER SIZE: 9.5"

M-101
ELECTRIC MOTOR (PLUNGER PUMP)
MAKE: TECO-WESTINGHOUSE
SIZE: 25 HP @ 1200 RPM
480V/60Hz/3 PHASE
FRAME: 324T

PI-101, 102, 103
SUCTION PRESSURE INDICATOR
MAKE: BOURDON-HEANNI
MEASUREMENT: 0-100 PSI
SIZE: 4" FACE, 1/2" NPT

PI-104
DISCHARGE PRESSURE INDICATOR
MAKE: BOURDON-HEANNI
MEASUREMENT: 0-2,000 PSI
SIZE: 4" FACE, 1/2" NPT

PSV-101
PRESSURE RELIEF VALVE
MAKE: FARRIS
MODEL: 27DA23-M20
INLET x OUTLET: 3/4"x1"
SET PRESSURE: 1850 psig
(FLANGED CONNECTIONS)

H-101
UNIT HEATER
MAKE: CATADYME
MODEL: WX24x24
NAT. GAS HEATER

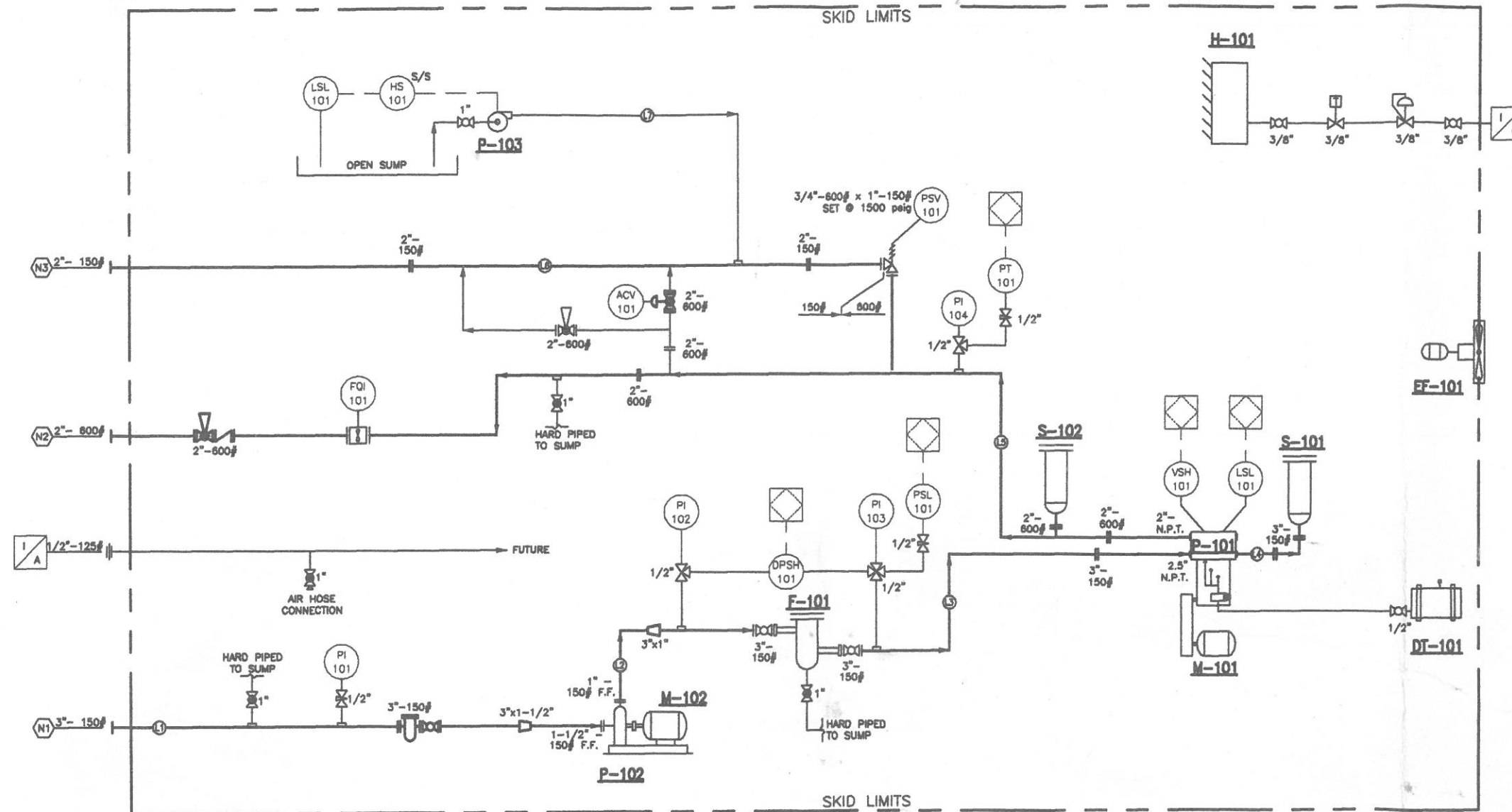
S-102
DISCHARGE STABILIZER
MAKE: STATUS FLOW
MODEL: T.B.A.
CONNECTION: 2" 600# R.F.

VSH-101
VIBRATION SWITCH
MAKE: MURPHY
MODEL: VS-2-EX

EF-101
EXHAUST FAN
MAKE: DAYTON 12"
12 AIR CHANGES/HOUR
120V/1 PHASE/60 Hz

DPSH-101
DIFF. PRESS. SHUTDOWN SWITCH
MAKE: CCS DUAL SNAP
MODEL: 048DZE2
SET PRESS.: 10 psi DIFFERENTIAL
CONNECTION: 1/2" NPT

P-103
SUMP PUMP
MAKE: MONARCH
MODEL: BE-S76
SPEED: 3,450rpm
POWER: 0.75HP



LINE NUMBER	DESCRIPTION		DESIGN		OPERATING		HYDRO TEST PRESS. (kPa)	C.A. (mm)	PIPE SCH.	X-RAY %	INT. COAT Y/N
	FROM	TO	PRESS. (kPa)	TEMP. (°C)	PRESS. (kPa)	TEMP. (°C)					
L1	SKID EDGE	P-102	1965	-20 TO 100	275	21	413	-	80	10%	-
L2	P-102	F-101	1965	-20 TO 100	275	21	413	-	80	10%	-
L3	F-101	P-101	1965	-20 TO 100	275	21	413	-	80	10%	-
L4	P-101	S-101	1965	-20 TO 100	275	21	413	-	80	10%	-
L5	P-101	SKID EDGE	10,204	-20 TO 100	5515	21	8,273	-	80	10%	-
L6	PSV-101/ACV-101	SKID EDGE	1965	-20 TO 100	275	21	413	-	80	10%	-
L7	SUMP PUMP	SKID EDGE	1965	-20 TO 100	ATMOSPHERIC	21	-	-	80	10%	-

REVISIONS:		
REV	DATE	DESCRIPTION
A	2004.09.27	PRELIMINARY
B	2004.10.14	REVISIONS
C	2004.10.26	ISSUED FOR APPROVAL
D	2004.11.01	ISSUED FOR CONSTRUCTION
1	2005.01.14	AS-BUILTS

APPROVALS:

DWN	CHK	APP
R.C.	R.M.	G.P.
R.M.	G.P.	G.P.
R.C.	R.M.	G.P.
R.M.	R.M.	G.P.

THIS DRAWING AND DATA EMBODY INFORMATION WHICH IS THE CONFIDENTIAL PROPERTY OF CANDYNE PUMP SERVICES INC. AND SHALL NOT BE COPIED, REPRODUCED, DISCLOSED TO OTHERS, OR USED IN WHOLE OR IN PART FOR ANY PURPOSE, WITHOUT THE EXPRESS WRITTEN CONSENT OF CANDYNE PUMP SERVICES INC.

APPROVED FOR CONSTRUCTION

DRAWINGS SHALL NOT BE USED FOR FABRICATION UNLESS THE THIS STAMP HAS BEEN SIGNED AND DATED BY CANDYNE PERSONNEL. WORK COMPLETED WITHOUT THIS APPROVAL IS AT THE RISK AND EXPENSE OF THE FABRICATOR. REFER TO NOTES BELOW.

APPROVED - PROCEED WITH CONSTRUCTION
 APPROVED AS NOTED - PROCEED WITH CONSTRUCTION

SIGNATURE _____ DATE _____

CanDyne
Pump Services Inc.

CLIENT: _____

PACKAGE: **PROJECT #2245
PLUNGER PUMP SKID
PROCESS & INSTRUMENTATION DIAGRAM**

DRAWN: R.C. DATE: 2004.09.27 DESIGN: G.P. SCALE: N.T.S. REV: 1

DRAWING NUMBER: **2245-001**