

AutoCAD 14

THIS DRAWING IS THE PROPERTY OF NORTHERN DRAFTING SERVICES LTD. ON BEHALF OF ITS CLIENT. FOR COPIES OR REVISIONS TO THIS DRAWING, PLEASE CALL 1-250-785-0131.

**V-910
HIGH PRESSURE FLARE KNOCKOUT DRUM**

SIZE: 1848 mm ϕ x 6096 mm S/S
LIQUID CAP: 15.9 m³ (100 BBL'S) @ 40% INTERNAL VOLUME
DESIGN PRESS: 50 PSIG (NOT REGISTERED) ATMOSPHERE
SN: 001891

**V-920
LOW PRESSURE FLARE KNOCKOUT DRUM**

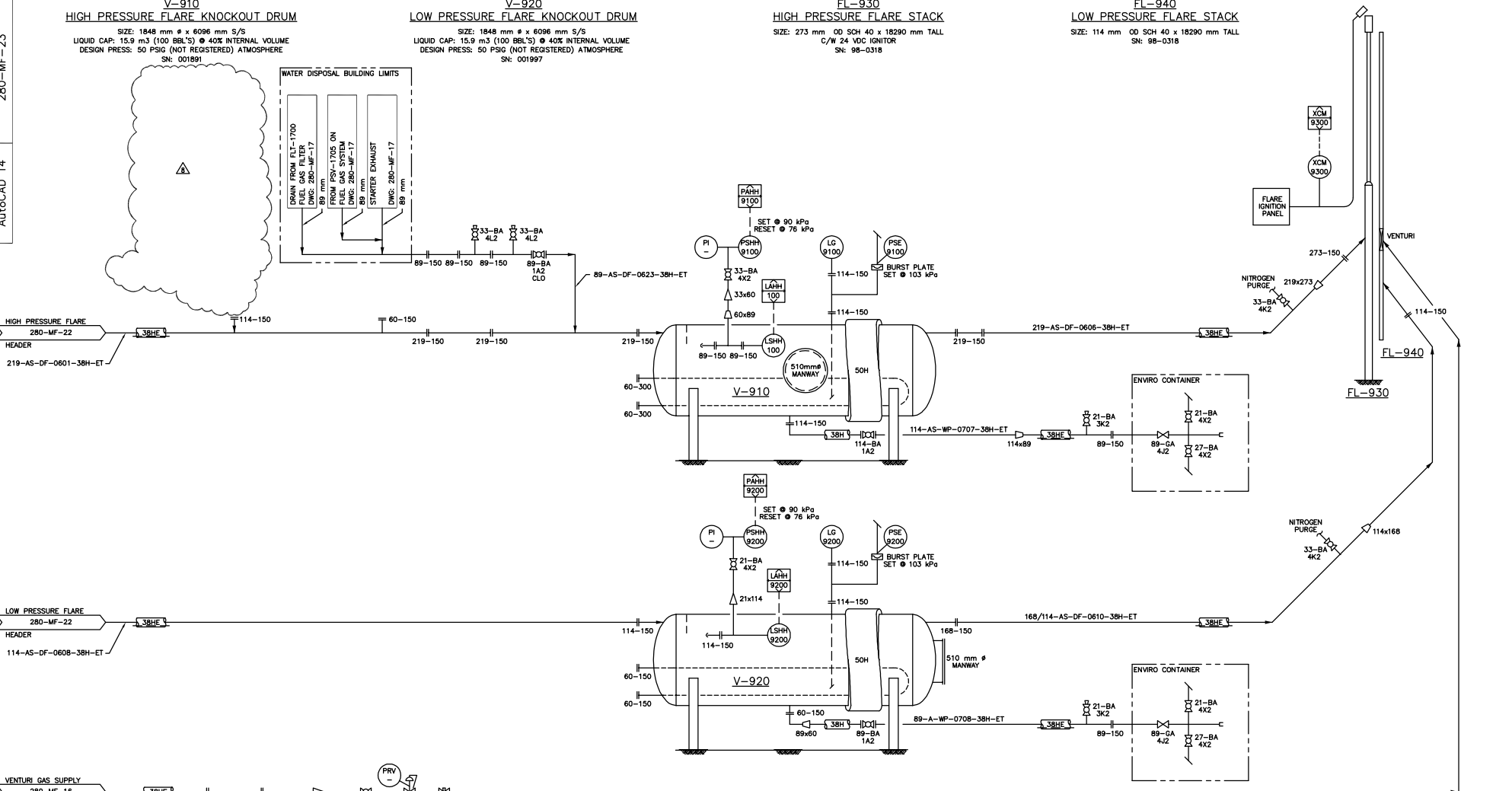
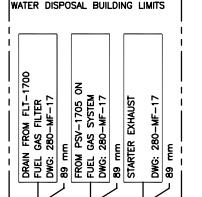
SIZE: 1848 mm ϕ x 6096 mm S/S
LIQUID CAP: 15.9 m³ (100 BBL'S) @ 40% INTERNAL VOLUME
DESIGN PRESS: 50 PSIG (NOT REGISTERED) ATMOSPHERE
SN: 001997

**FL-930
HIGH PRESSURE FLARE STACK**

SIZE: 273 mm OD SCH 40 x 18290 mm TALL
C/W 24 VDC IGNITOR
SN: 98-0318

**FL-940
LOW PRESSURE FLARE STACK**

SIZE: 114 mm OD SCH 40 x 18290 mm TALL
SN: 98-0318



| NO. | DATE | REVISIONS | DRAWN | CHECK | DESIGN | APPR. |
|-----|------------|--|-------|-------|--------|-------|
| 7 | 12 06 02 | GENERAL REVISION - REDRAWN | WRM | WRM | | |
| 6 | 03 08 99 | ISSUED FOR CONSTRUCTION | BC | MK | MK | MK |
| 5 | 20 04 99 | AS BUILT | JW | PW | MK | MK |
| 4 | 09 03 99 | RE-ISSUED FOR CONSTRUCTION - LINE No ADDED | JW | PW | MK | MK |
| 3 | 19 02 99 | ISSUED FOR CONSTRUCTION | JW | PW | MK | MK |
| 8 | 2011-05-18 | TREATER REMOVED | HN | BL | | |

| NO. | TITLE |
|-----------------|--------------------------|
| 280-MF-01 TO 30 | MECHANICAL FLOW DIAGRAMS |
| 280-PP-01 | MECHANICAL PLOT PLAN |

PROFESSIONAL AND PERMIT STAMPS AFFIXED HEREUNDER SHALL APPLY ONLY TO REVISION(S) 0 TO 6

PROFESSIONAL AND PERMIT STAMPS

NORTHERN DRAFTING SERVICES LTD
OILFIELD DESIGN AND DOCUMENTATION
FORT ST. JOHN B.C.
1-250-785-0131

APPROVED FOR CONSTRUCTION

BY: _____ DATE YY MM DD
BY: _____ DATE YY MM DD

280-MF-23

5-12-87-25 W6M HALFWAY BATTERY
HIGH AND LOW PRESSURE FLARE STACKS AND KNOCKOUTS
MECHANICAL FLOW DIAGRAM

| | | | |
|-----------------|-------|-------------------------|------|
| CLIENT FILE NO. | SCALE | NORTHERN DRAWING NUMBER | REV. |
| - | NTS | HAF0512-220-0024 | 8 |