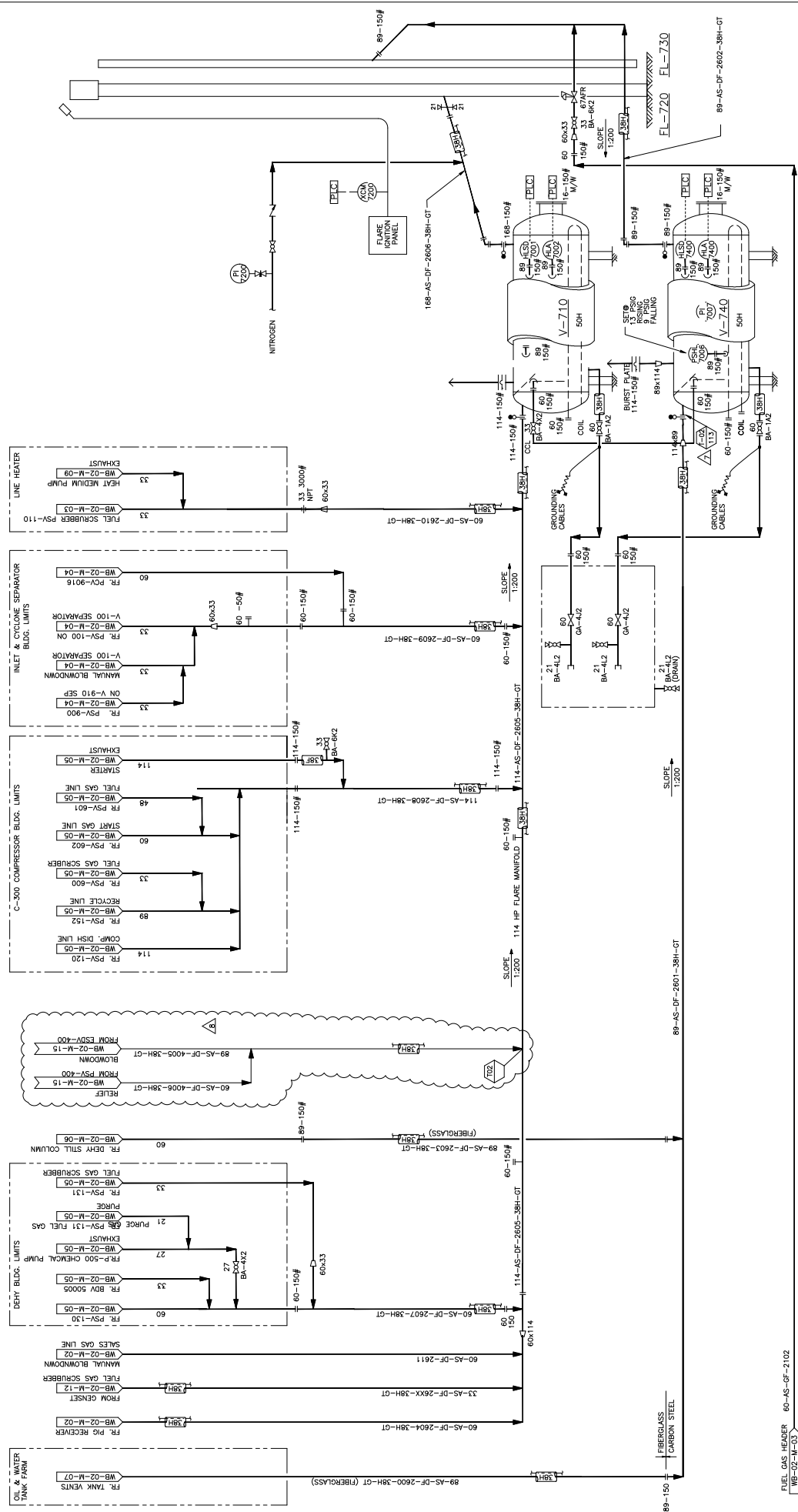


FL-730
LP FLARE STACK
 SIZE: 89mm (3.5") OD SCH. 40
 x 15.2m (50') LONG
 SOLAR ORIENTED

FL-720
HP FLARE STACK
 SIZE: 168mm (6.6") OD SCH. 40
 x 15.2m (50') LONG
 SOLAR ORIENTED
 AND BATTERY PACK/SOLAR PANEL

V-740
K.O. DRUM
 SIZE: 914mm (3'-0") OD x 3048mm (10'-0")
 C/W 3" MAX. COATING
 DESIGN PRESS: 50 psig
 TEST PRESS: 75 psig
 SN: 98120-001

V-710
K.O. DRUM
 SIZE: 914mm (3'-0") OD x 3048mm (10'-0")
 C/W 3" MAX. COATING
 DESIGN PRESS: 50 psig
 TEST PRESS: 75 psig
 SN: 98120-002



REV. 6

NOTES

- NEXT AVAILABLE TAG #7008
- OPTIONAL TIE-IN FROM FK00 PUMP OUT

A1-WB-02-M-08

Anadarko
 Canada Corporation

WEST BLUEBERRY
 LSD 12-29-88-25 W6M
 HIGH & LOW PRESSURE FLARE SYSTEM
 MECHANICAL DRAWING

SCALE: N.T.S.
 DRAWING NUMBER: BLM1229-220-0002
 REV: 8

Macdonald Engineering Group Ltd. CALGARY ALBERTA CANADA

Tundra

TUNDRA ENGINEERING LTD. CALGARY ALBERTA

DATE: 98.03.09
 CHECKED: J. WIECHECKI
 DRAWN: J. WIECHECKI
 APPROVED: S. BINKS
 N.T.S. 98.03.10

Engineering: 01000LW000089WS / Date: 2002-12-16 / Title: 08144 / User: 01_00

ENGINEERS & PERMIT STAMPS		BY		DATE		CHD APPD	
NO	REVISION DESCRIPTION	BY	DATE	NO	DATE	BY	DATE
6	ISSUED FOR CONSTRUCTION (2002 EXPANSION) MEQ 013008	WJM	02.07.11	05	BB		
7	ISSUED FOR CONSTRUCTION (2002 EXPANSION) MEQ 013008	EJC	02.02.23	06	BB		
8	ADDED PSV FROM CYCLONE, PURGE GAS FR. DISCHARGE ESD	GD	02.12.16	07	BB		
1	AS BUILT (AS PER HYLAND OILFIELD)	CDC	98.06.30	08	WK		
2	AS BUILT (AS PER HYLAND OILFIELD)	PW	98.10.01	09	WK		
3	AS BUILT (NCSL)	WRM	98.10.20	10	WK		
4	ISSUED FOR CONSTRUCTION - ADDED GENSET	PW	99.06.11	11	WK		
5	AS BUILT (WRM MARK-UP - Northern Drafting Services Ltd.)	J.W.	99.09.14	12	M.K.		