



3027767

Field Inspection Report

Vessel # 3027767

Client	Canadian Natural Resources Ltd.		Inspection Date	2001/06/01	
Prov. Reg.#	3027767		Insp. Type	Data	
Equipment	Glycol Contactor		Location	Gold Creek	
Tag/Equip. #			LSD	9-20-67-5W6	
Vessel Status	In Service		Comp./Unit		
Manufacturer		Serial #	MAWP/Temp	1650 psi	150 F
CRN #		Shell Material	SA-516-70N	Shell Thick.	1.250 in
Corrosion All.	0.063 in	Head Material	SA-516-70N	Head Thick.	1.170 in
Manway	No	Head Material 2		Head Thick. 2	in
Coating	No	Channel Material		Channel Thick.	in
Diameter	24 in	Length	in	RT	HT
Year Built	1995	Next Inspection	2004	Next Insp. Type	NA
Service				Job #	006H

Observations:

Ultratest hard copy on file.

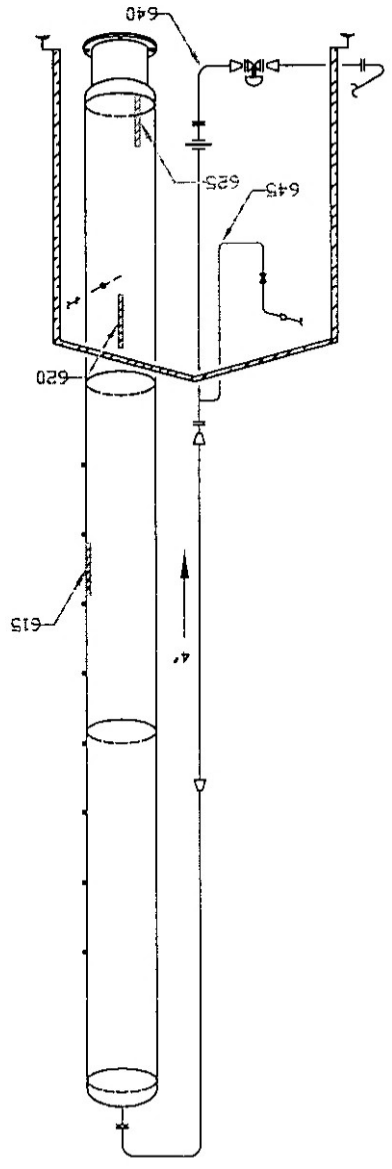
Recommendations:

Inspector: Ultratest

Reviewed by:

AB-40 to be attached

MAR 06 2003



Rio Alto Exploration Ltd.
 Gold Creek - Northwest Field
 9-20-67-5W6

ULTRATEST NDT Services Inc.

Locations: 600 - 645

By: ML Date: 6/01 Dwg: 6

Comp 9-20
 Glycol Contactor
 Reg. No.: A 302767
 Built: 1995
 Design: 1650 PSI @ 150 F
 Size: 24" OD x 28'
 J.E.: 100 %
 C.A.: .063
 Shell: 1.250 SA 516.70N
 Head: 1.170 SA 516.70N

Index : 6 Comp 9-20 Glycol Contactor Reg. # : A 3027767
 Item : 615 V-BAND ON NORTH SHELL (middle) DWG. # : 6
 Service : 3 Residue Gas MWP : 1650 PSI @ 150 F'

INSPECTION Jun 2001
 DATES
 Temperatures F' 80
 Probe selection 5

Total	Avg. Period	Loss	Loss	%	MPY	MPY
Total	Avg. Period	Loss	Loss	%	MPY	MPY

After nozzle	1	2	3	4	5	6	7	8	9	10	11	12	13	14	15	Before nozzle
1.282	1.284	1.279	1.282	1.279	1.282	1.279	1.279	1.279	1.282	1.279	1.279	1.282	1.277*	1.277*	1.282	

Empty box for additional data or notes.

Average Reading 1.280
 Period Average Loss MPY
 Period Maximum Loss MPY
 Life Expectancy (Years)

Empty box for additional data or notes.

Index : 6 Comp 9-20 Glycol Contactor Reg. # : A 3027767
 Item : 620 V-BAND ON EAST SHELL (below roof) Dwg. # : 6
 Service : 1 Inlet gas MWP : 1650 PSI @ 150 F Material : SA 516.70N

INSPECTION Jun 2001
 DATES
 Temperatures F 80
 Probe selection 5

Total Loss Loss % Avg. Period
 Total Loss Loss MPY MPY
 (Mils)

Location	1	2	3	4	5	6	7	8	9	10	11	12
Top	1.282	1.282	1.282	1.282	1.279*	1.279*	1.282	1.282	1.282	1.282	1.284	1.282
Bottom												

Average Reading 1.282
 Period Average Loss MPY
 Period Maximum Loss MPY
 Life Expectancy (Years)

Index : 6 Comp 9-20 glycol Contactor Reg. # : A 3027767
 Item : 625 V-BAND ON BOTTOM S.E. SHELL Dwg. # : 6
 Service : 6 Rich glycol MWP : 1650 PSI @ 150 F°
 Material : SA 516.70N
 Nominal thickness : 1.250
 Critical : 1.074

INSPECTION Jun 2001
 DATES

 Temperatures F° 80
 Probe selection 5

After nozzle		Before weld	
1	1.290	1	1.284*
2	1.290	2	1.290
3	1.292	3	1.290
4	1.292	4	1.290
5	1.292	5	1.290
6	1.290	6	1.290
7	1.290	7	1.290
8	1.290	8	1.290
9	1.290	9	1.290
10	1.290	10	1.290
11	1.290	11	1.290
12	1.284*	12	1.284*

Average Reading 1.290
 Period Average Loss MPY
 Period Maximum Loss MPY
 Life Expectancy (Years)

Index : 6 Comp 9-20 Glycol Contactor Reg. # : A 302767
 Item : 640 V-BAND ON 4 IN. ELL Dwg. # : 6
 Service : 3 Residue Gas MWP : 1650 PSI @ 150 F¹

INSPECTION Jun 2001
 DATES
 Temperatures F¹ 80
 Probe selection 1

Top	1	2	3	4	5	6	7	8	9	Bottom
	.312	.303	.297*	.305	.305	.312	.312	.322	.322	
	25	34	40*	32	32	25	25	15	15	

Average Reading .310
 Period Average Loss MPY
 Period Maximum Loss MPY
 Life Expectancy (Years)

Total Loss greater than 25 mils

Index : 6 Comp 9-20 Glycol Contactor
Item : 645 V-BAND ON 2 IN. ELL
Service : 3 Residue Gas

Reg. # : A 3027767
Dwg. # : 6
MWP : 1650 PSI @ 150 F°

Nominal thickness : .218
Critical : .095
Material : A 234 WPB

INSPECTION

Jun
2001

Temperatures F°
Probe selection

60
1

Total Loss
Loss %
Avg. Period

Total Loss
Loss %
Avg. Period

Top
Bottom

1 .210
2 .195*
3 .195*
4 .200
5 .198

8
23*
23*
18
20

Average Reading
Period Average Loss MPY
Period Maximum Loss MPY
Life Expectancy (Years)

.200