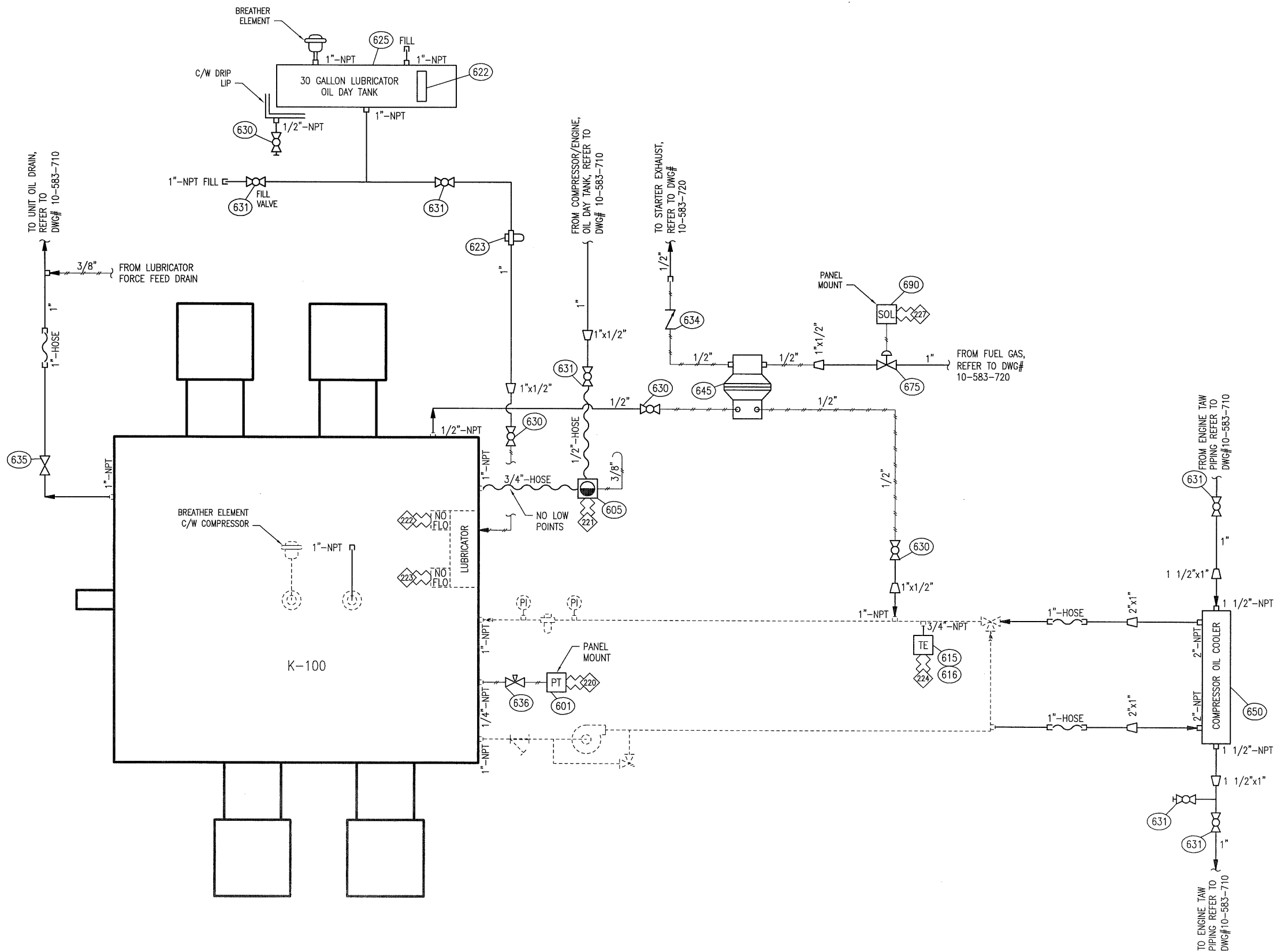


THIS DRAWING IS SOLE PROPERTY OF BIDELL EQUIPMENT AND SHALL NOT BE REPRODUCED, COPIED, LENT, ALTERED NOR USED FOR ANY PURPOSE OTHER THAN WHICH IT IS FURNISHED EXCEPT WITH THE WRITTEN PERMISSION OF BIDELL EQUIPMENT

K-100 COMPRESSOR
ARIEL JGT/4



		BILL OF MATERIALS	
MK	QTY	PART NUMBER	DESCRIPTION
601	0	PT-0200-AS02	TRANSMITTER, PRESS, 0-200 PSIG, 4-20mA, 316L, NACE, MFG: ASCO, MODEL: 46-A-00200-P-4-W-1-000 (QTY:1, c/w PANEL)
605	1	LLC-500	CONTROLLER/SWITCH, OIL LEVEL, XP, UNIVERSAL MOUNT, MFG: KENCO, MODEL: KLCE-9
615	1	TCP-K403	THERMOCOUPLE, TYPE 'K', UNGROUNDED, 1/2"-NPT, 1/4" OD x 4" 316SS SHEATH, 10 FT SS ARMoured LEAD
616	1	TOW-275N	THERMOWELL, STRAIGHT, "WGI", 3/4"x1/2"x2 1/2" STEM, 316LSS
623	1	TNK-310	FILTER, GLYCOL, 1"NPT, MFG: BALDWIN, MODEL: BF-914
622	1	TNK-217	GAUGE, LEVEL, TANK, ALUMINUM, MFG: NORCAN FLUID POWER, MODEL: B31003X09HSN
625	1	TNK-761-03	TANK, LUBRICATOR, TRAILER, 35 GAL, REFER TO DWG #BES-761-03
630	4	BVSB-052CS	VALVE BALL, 2000#NPT, 1/2" CS, FLOW+B11, MFG: WESTERN GAUGE, MODEL: B11-1/2
631	6	BVSB-102CS	VALVE BALL, 2000#NPT, 1" CS, FLOW+B11, MFG: WESTERN GAUGE, MODEL: B11-1
634	1	SCS-052	VALVE, CHECK, SWING, 1/2"-NPT, "NAVCO" MODEL CS-R05S08AB, CLASS 800, A105 BODY, F6a & HARD FACED SEATS
635	1	GTS-102	VALVE, GATE, 1"-NPT, "NAVCO" MODEL GA-R10S08AB, CLASS 800, A105 BODY, F6a & HARD FACED SEATS
636	1	NVSA-026F	VALVE, NEEDLE, 1/4"x1/4"-FNPT, "WGI" MODEL WN1612P, 6000 PSIG MAWP, ZINC PLATED A105 CS BODY, 316SS STEM, PTFE PACKING
645	1	PMP-830	PUMP, DIAPHRAGM, 1"-FNPT IN x OUT (LIQUID), 1/4"-FNPT IN x 3/4"-FNPT OUT (GAS), "YAMADA" MODEL NDP-20BAN-1S, 28 USGPM, SIDE PORTED, ALUMINUM BODY, BUNA N DIAPHRAGM, 100 PSIG MAX SUPPLY
650	1	COM-205	COOLER, COMPRESSOR OIL, 2"-NPT SHELL SIDE, 1 1/2"-NPT TUBE SIDE, "THERMAL TRANSFER" MODEL EK-1024-0
675	1	XXX-205	VALVE, CONTROL, 1"-NPT, "FISHER" MODEL 119, 150 PSIG MAWP, 9/16" ORIFICE, CI BODY, ALUMINUM TRIM, 6-30 PSIG RANGE
690	0	SOL-002	VALVE, SOLENOID, 3 WAY, 24VDC, 1/4"-NPT, "ASCO" MODEL EF8320G202-24, 115 PSID MAX, 3/32" ORIFICE, SS BODY, NC, (QTY:1, c/w PANEL)

AS BUILT
SIGNED: *Jason Aksh* DATE: AUG 20 2010

ELECTRICAL TERMINATIONS

- 220 COMPRESSOR OIL PRESSURE
- 221 COMPRESSOR OIL LEVEL
- 222 COMPRESSOR LUBRICATOR NO-FLOW (RIGHT)
- 223 COMPRESSOR LUBRICATOR NO-FLOW (LEFT)
- 224 COMPRESSOR OIL INLET TEMP
- 227 PRELUBE PUMP SOLENOID

ALL PRESSURE TRANSMITTERS, TO HAVE ISOLATION NEEDLE VALVE AND CALIBRATING PLUGGED CONNECTION (BY OTHERS)

REV	DATE	BY	APPR	DESCRIPTION
A	10-08-19	CP	DR	AS BUILT-LEASED TO TALISMAN ENERGY
0	10-04-27	CP	DR	ISSUED FOR CONSTRUCTION

REVISIONS

BIDELL EQUIPMENT 6900 - 112th AVENUE S.E.
CALGARY, AB T2C 4Z1
PHONE: (403) 235-5877
FAX: (403) 272-7749

GAS COMPRESSION

SOUR COMPRESSOR UTILITY FLOW DIAGRAM (<5% H2S)
ARIEL JGT/4

CUSTOMER: BIDELL EQUIPMENT
LOCATION: TRAILER MOUNTED COMPRESSOR - MOBILE
LSD: PORTABLE JOB#: 10-583

DWN	DATE	SCALE	DWG#	REV
CP	10-04-22	NTS	10-583-760	A