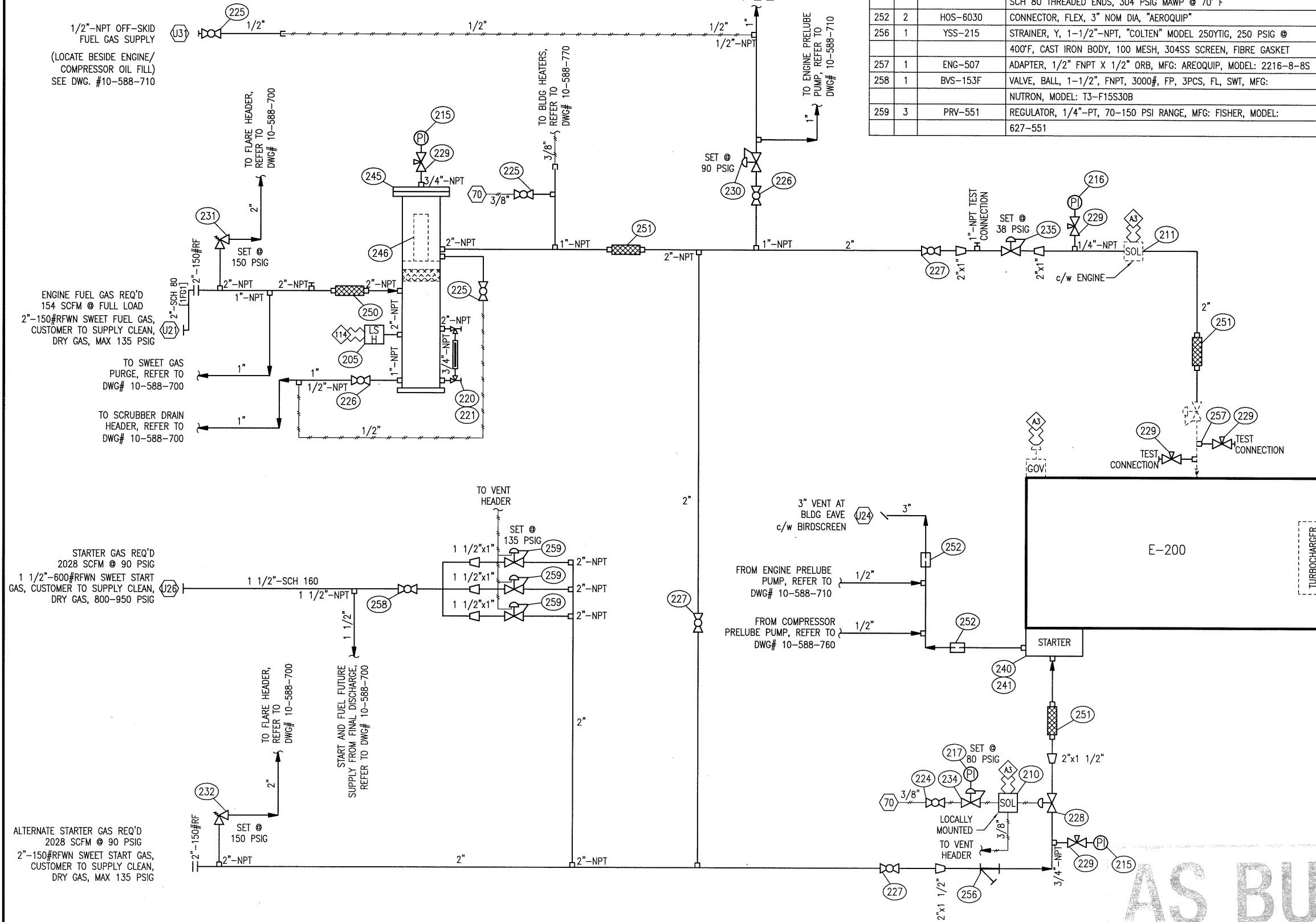


THIS DRAWING IS SOLE PROPERTY OF BIDELE EQUIPMENT AND SHALL NOT BE REPRODUCED, COPIED, LENT, ALTERED NOR USED FOR ANY PURPOSE OTHER THAN WHICH IT IS FURNISHED EXCEPT WITH THE WRITTEN PERMISSION OF BIDELE EQUIPMENT

E-200 ENGINE
CATERPILLAR G3516LE AFRC

BILL OF MATERIALS			
MK	QTY	PART NUMBER	DESCRIPTION
246	0	BEP-FG-324-OP	FILTER, GAS, "PECCO" MODEL FG-324-OP, REVERSE FLOW (QTY:1 c/w VESSEL)
250	1	HOS-7028	HOSE FLEX, 2"-MNPT X 8" LG, SS CORRUGATED, T304SS OVERBRAID
			HOSE, C/W SCH 80 THREADED ENDS, 420 PSIG MAWP @ 70' F, C/W HEX NUT C/S ENDS
251	3	HOS-7020	HOSE, FLEX, 2"-MNPT X 12" LG, SS CORRUGATED, SS OVERBRAID C/W SCH 80 THREADED ENDS, 304 PSIG MAWP @ 70' F
252	2	HOS-6030	CONNECTOR, FLEX, 3" NOM DIA, "AEROQUIP"
256	1	YSS-215	STRAINER, Y, 1-1/2"-NPT, "COLTEN" MODEL 250YTG, 250 PSIG @ 400°F, CAST IRON BODY, 100 MESH, 304SS SCREEN, FIBRE GASKET
257	1	ENG-507	ADAPTER, 1/2" FNPT X 1/2" ORB, MFG: AREOQUIP, MODEL: 2216-8-8S
258	1	BVS-153F	VALVE, BALL, 1-1/2", FNPT, 3000#, FP, 3PCS, FL, SWT, MFG: NUTRON, MODEL: T3-F15S30B
259	3	PRV-551	REGULATOR, 1/4"-PT, 70-150 PSI RANGE, MFG: FISHER, MODEL: 627-551

BILL OF MATERIALS			
MK	QTY	PART NUMBER	DESCRIPTION
205	1	LLS-320	SWITCH, LEVEL, ELECTRIC, 2"-NPT, "NORRISEAL" MODEL 1005E-A696BVS, SPDT, A696 BODY, HORIZONTAL 316SS FLOAT, 1500 PSIG MAWP @ 220' F, STD. SERVICE
210	1	SOL-004	VALVE, SOLENOID, 3 WAY, 24VDC, 1/4"-NPT, "ASCO" MODEL EF8320G231-24, 160 PSID MAX, 1/16" ORIFICE, SS BODY, NC
211	0	SOL-005	VALVE, SOLENOID, 2 WAY, 24VDC, 2"-NPT, "ASCO" MODEL EFHTX8215B08017676, 15 PSID MAX, 2-3/32" ORIFICE, ALUMINUM
			BODY, NBR SEALS, DIAPHRAGMS & DISC, 305SS CORE TUBE, PTFE RIDER RINGS (QTY:1 c/w ENGINE)
215	2	PI-25-0200	INDICATOR, PRESS, "WGI" MODEL WJ7854P, 0-200 PSIG, 2 1/2" DIAL, 1/4"-NPT BOTTOM CONNECTION, 316LSS TUBE & SOCKET, DUAL SCALE, LF
216	1	PI-25-0060	INDICATOR, PRESS, "WGI" MODEL WJ7846P, 0-60 PSIG, 2 1/2" DIAL, 1/4"-NPT BOTTOM CONNECTION, 316LSS TUBE & SOCKET, DUAL SCALE, LF
217	1	PI-20-0100	INDICATOR, PRESS, "WGI" MODEL WJ2048, 0-100 PSIG, 2" DIAL, 1/4"-NPT, BRASS TUBE & SOCKET, BACK CONN, DUAL SCALE
220	1	LLG-119	GAUGE, LEVEL, REFLEX, 1/2"-NPT, "PENBERTHY" MODEL 1RM9, 2250 PSIG @ 100°F
221	1	LLG-190	VALVE SET, GAUGE, 3/4"-NPT, "PENBERTHY" MODEL 330J, 4000 PSIG @ 100°F, A105 BODY, OFFSET DESIGN, c/w BALL CHECK
224	1	BVSB-022CS	VALVE BALL, 2000#NPT, 1/4" CS, FLOW+B11, MFG: WESTERN GAUGE, MODEL: B11-1/4
225	3	BVSB-052CS	VALVE BALL, 2000#NPT, 1/2" CS, FLOW+B11, MFG: WESTERN GAUGE, MODEL: B11-1/2
226	2	BVSB-102CS	VALVE BALL, 2000#NPT, 1" CS, FLOW+B11, MFG: WESTERN GAUGE, MODEL: B11-1
227	3	BVSB-202CS	VALVE BALL, 2000#NPT, 2" CS, FLOW+B11, MFG: WESTERN GAUGE, MODEL: B11-2
228	1	FSV-110	VALVE, FUEL, RELAY, QUICK OPEN, 1 1/2"-NPT, "TDI" MODEL RLVA25683-001-2-21, 450 PSIG MAWP, ALUMINUM BODY, 1/4"-NPT VENT
229	5	NVSA-026F	VALVE, NEEDLE, 1/4"x1/4"-FNPT, "WGI" MODEL WM1612P, 6000 PSIG MAWP, ZINC PLATED A105 CS BODY, 316SS STM, PTFE PACKING
230	1	PRV-499	REGULATOR, 1"-NPT, "FISHER" MODEL 627, 1000 PSIG MAWP, MAXIMUM OUTLET PRESSURE OF 1000 PSIG, 1/2" ORIFICE, DI BODY, ALUMINUM TRIM, 70-150 PSIG RANGE
231	1	PSV-20002000GC	VALVE, PRESSURE RELIEF, 2" MNPT x 2" FNPT, "MERCER" MODEL 8100, STANDARD SWEET SERVICE BODY AND TRIM, "G" ORIFICE, SET PRESSURE = 150 PSIG @ 70°F, S/N: S80119
232	1	PSV-20002000HC	VALVE, PRESSURE RELIEF, 2" MNPT x 2" FNPT, "MERCER" MODEL 9100, STANDARD SWEET SERVICE BODY AND TRIM, "H" ORIFICE, SET PRESSURE = 150 PSIG @ 70°F, S/N: C005169
234	1	PRV-001	REGULATOR, 1/4"-FNPT, "FISHER" MODEL 67CFR, 250 PSIG MAWP, ALUMINUM BODY, 0-125 PSIG RANGE
235	1	PRV-498	REGULATOR, 1"-NPT, "FISHER" MODEL 627, 1000 PSIG MAWP, MAXIMUM OUTLET PRESSURE OF 1000 PSIG, 1/2" ORIFICE, DI BODY, ALUMINUM TRIM, 35-80 PSIG RANGE
240	1	ENG-304	STARTER, AIR/GAS, INERTIA ENGAGEMENT, "TDI" MODEL T121-60001-B1R, 2" NPT INLET x 3" OUTLET, 90-40 PSIG RANGE, 12T-6/8 PINION, DUAL TURBINE, MAX TORQUE @ ZERO RPM, PROOF PRESSURE 450 PSIG
241	1	ENG-334	ADAPTER, STARTER OUTLET, 3" 90° BW ELBOW, "TDI"
245	1	VES-530C-8U	SEPARATOR, FUEL GAS, 8 5/8" OD X 5'-3" S/S, 230 PSIG @ 300°F, REFER TO DWG BES-530C-8, S/N: FAB1008D



ELECTRICAL TERMINATIONS	
⬡ A3	CATERPILLAR ADEM A3
⬡ 114	FUEL GAS SEPARATOR LEVEL SHUTDOWN

PNEUMATIC TERMINATIONS	
⬡ 70	INSTRUMENT GAS

AS BUILT

SIGNED: *Jason McL* DATE: SEP 20 2010

REV	DATE	BY	APPR	DESCRIPTION
B	10-09-17	NP	JD	AS BUILT
A	10-07-29	CP	JD	AS NOTED
O	10-05-20	CP	DR	ISSUED FOR CONSTRUCTION

REVISIONS				
BIDELE EQUIPMENT				
GAS COMPRESSION				
ENGINE FUEL & START GAS UTILITY FLOW DIAGRAM				
CATERPILLAR G3516LE AFRC				
CUSTOMER: TALISMAN ENERGY INC.				
LOCATION: TRAILER MOUNTED COMPRESSOR - MOBILE				
LSD: PORTABLE				
JOB#: 10-588				
DWN	DATE	SCALE	DWG#	REV
NP	10-05-20	NTS	10-588-720	B