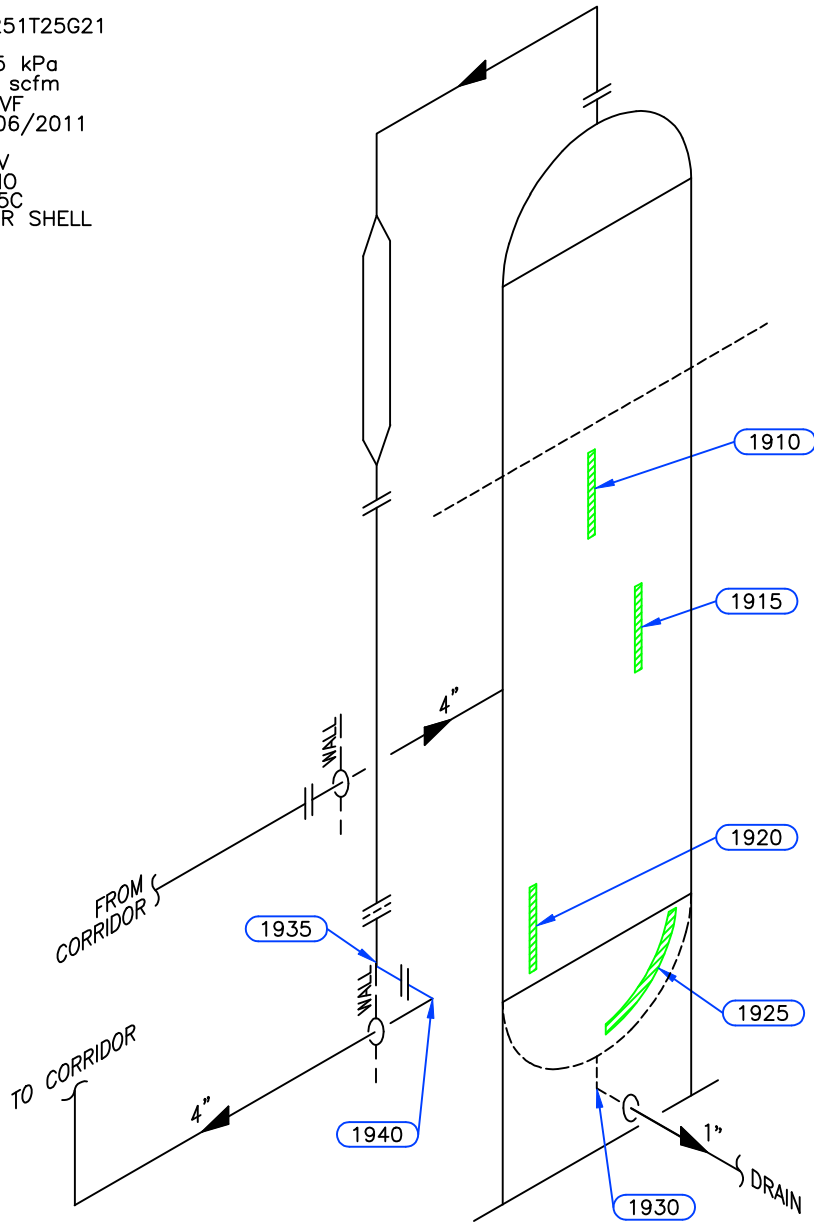


PSV DATA

MFG: MERCER
 MODEL: 81-33251T25G21
 SERIAL: 155394
 SET PRES: 6895 kPa
 CAPACITY: 8037 scfm
 SERVICED BY: UVF
 SERVICE DATE: 06/2011
 SIZE: 1.5" x 2"
 CODE STAMP: UV
 BLOCK VALVE: NO
 CRN: OG-8841.5C
 LOCATION: LOWER SHELL
 TAG: 13375F



Equip. No. T-710 Prov. Reg. No. Ⓐ C 35011 C.R.N. P-0620.21 Serial No. 032157-101 Yr. Inst. _____
 Code/Div. ASME VIII, Div 1 Size: 20in x 36ft Manufacturer: PROPAK SYSTEMS Yr. Blt. 2003
 C. Stamp: U Service: SOUR PWHT: HT Radiography: RT-1 Insulated: NO

Design & Materials Data

HEAD:
 Top Mat'l. SA 516 70N Top Nom. 24.3mm Top C.A. N/S
 Btm. Mat'l. _____ Btm. Nom. _____ Btm. C.A. _____

CHANNEL:
 Material: _____ Nominal: _____ C.A. _____

BOOT
 Head Mat'l. _____ Head Nom. _____ Head C.A. _____
 Shell Mat'l. _____ Shell Nom. _____ Shell C.A. _____

SHELL
 Material: SA 516 70N Nominal: 25.4mm C.A. N/S

MAWP Shell Side: 10204 kPa @ Temp. 38°C
 MAWP Tube Side: _____ @ Temp. _____

CLIENT	CANADIAN NATURAL RESOURCES LTD		
FACILITY	CURRANT COMPRESSOR STATION LSD b-09-C/94-A-16		
ITEM	GLYCOL CONTACTOR		
BY: DK/CK	DATE: 08/2011	DWG.# 19	

