

V-100
INLET SEPARATOR
DP: 6900 kPa @ 39°C
1220 mm ID, x 3660 mm S/S

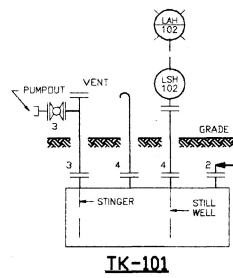
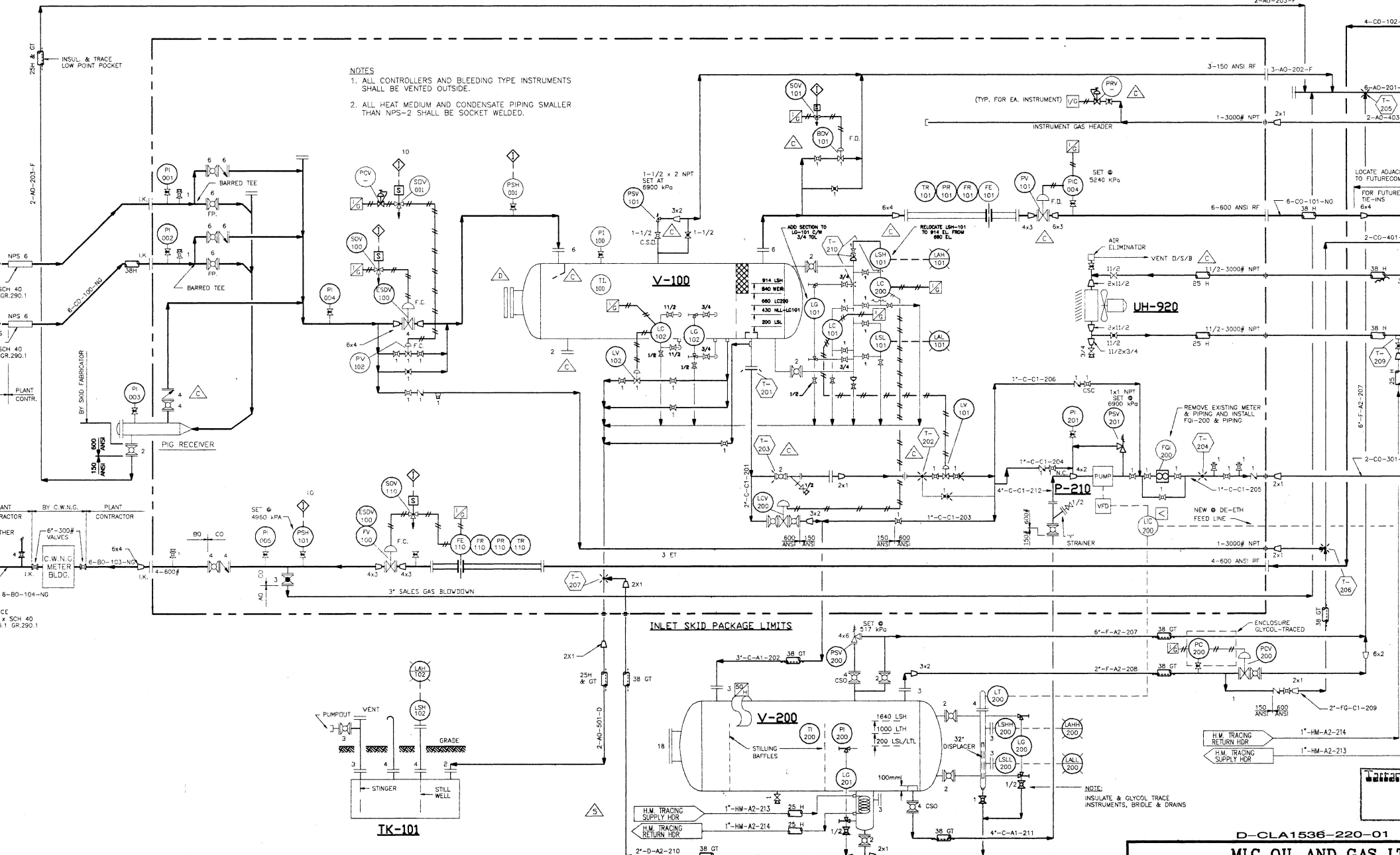
TK-101
DRAIN TANK
SIZE: 1828 mm OD, x 4267 mm LG,
CAPACITY: 13620 LITER (3000 GAL)

V-200
SLUG CATCHER
RUFFNECK
SIZE: 1829mm O.D. x 6096mm LG.
D.P.: 517 kPa

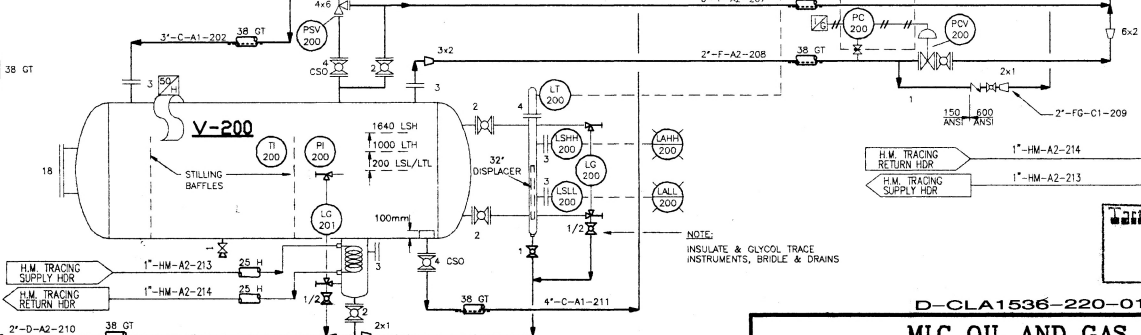
UH-920
UNIT HEATER
RUFFNECK
MODEL: HP S-20
FAN MOTOR: 0.37 kw 115 V, 1 PHASE

P-210
CONDENSATE PUMP

NOTES
1. ALL CONTROLLERS AND BLEEDING TYPE INSTRUMENTS SHALL BE VENTED OUTSIDE.
2. ALL HEAT MEDIUM AND CONDENSATE PIPING SMALLER THAN NPS-2 SHALL BE SOCKET WELDED.



INLET SKID PACKAGE LIMITS



NOTE:
INSULATE & GLYCOL TRACE INSTRUMENTS, BRIDLE & DRAINS

D-CLA1536-220-01

MLC OIL AND GAS LTD

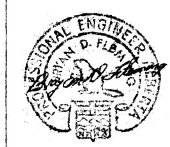
CLARESHOLM GAS PLANT
INLET SKID
MECHANICAL FLOW SHEET

DWG. NO.	REFERENCE DRAWINGS	DATE	REV.	DESCRIPTION	CHK'D.	APPR.
		92/06/26	4	ISSUED FOR BB APPROVAL		E.M.
		92/06/11	3	ISSUED FOR BID		ADD
		92/05/11	2	PRELIMINARY (ADD V-200 & P-210 PIPING)		L.K.
		90/11/30	1	AS BUILT		R.R.
		90/07/03	0	ISSUED FOR CONSTRUCTION		
		90/06/11	D	GENERAL UPDATE-ISSUED FOR BID		
		90/04/09	C	GENERAL UPDATE		
		92/09/02	6	AS-BUILT		
		92/07/13	5	ISSUED FOR CONSTR. (V-200 ADD'N)		L.K.

ENG. SEALS FOR V-200 ADDITION
CONSTRUCTION REVISION ONLY

PERMIT TO PRACTICE
TARTAN ENGINEERING CORP. LTD.
Signature: *Raymond R. Thomson*
Date: 18/07/92

PERMIT NUMBER: P 2301
The Association of Professional Engineers,
Geologists and Geophysicists of Alberta



CONSULTING SERVICES

BY: R.G.	DATE: MAR 8, 90	DRAWING NO.
CHK'D:	SCALE: NTS	89-6