

**VB-2775**  
 REFLUX ACCUMULATOR  
 22144 DD X 132444 3/2, 2141 CA  
 117 104 HOP @ -28/178 DEG C  
 VERTICAL 2-PHASE

**E10-2774-1/2**  
 REFLUX PUMPS  
 UNION 3144 X 3144 X 17844 VCA  
 W/ 3/30/400V EX. PROOF  
 CAPACITY: 2344/144 @ 28.178 DEG C  
 TRAIL 318 SS

**VB-2772/VB-2030/VB-2040**  
 ACID GAS FLARE K.O./BLOWDOWN  
 817 104 HOP @ -28/178 DEG C  
 23444 DD X 12744 3/2, 2141 CA  
 117 104 HOP @ -28/178 DEG C  
 23444 DD X 12744 3/2, 2141 CA  
 817 104 HOP @ -28/178 DEG C

**V10-2772**  
 MAIN REBOILER  
 19/25-240 194 TDA, C  
 23444 DD X 12744 3/2, 2141 CA  
 117 104 HOP @ -28/178 DEG C  
 23444 DD X 12744 3/2, 2141 CA

**VB-2774**  
 MAIN STRIPPER  
 19/25-240 194 TDA, C  
 23444 DD X 12744 3/2, 2141 CA  
 117 104 HOP @ -28/178 DEG C  
 23444 DD X 12744 3/2, 2141 CA

**VB-2775**  
 MAIN REBOILER  
 19/25-240 194 TDA, C  
 23444 DD X 12744 3/2, 2141 CA  
 117 104 HOP @ -28/178 DEG C  
 23444 DD X 12744 3/2, 2141 CA

**E10-2773-1**  
 MAIN STRIPPER  
 19/25-240 194 TDA, C  
 23444 DD X 12744 3/2, 2141 CA  
 117 104 HOP @ -28/178 DEG C  
 23444 DD X 12744 3/2, 2141 CA

**E10-2773-2**  
 MAIN STRIPPER  
 19/25-240 194 TDA, C  
 23444 DD X 12744 3/2, 2141 CA  
 117 104 HOP @ -28/178 DEG C  
 23444 DD X 12744 3/2, 2141 CA

**E10-2773-3**  
 MAIN STRIPPER  
 19/25-240 194 TDA, C  
 23444 DD X 12744 3/2, 2141 CA  
 117 104 HOP @ -28/178 DEG C  
 23444 DD X 12744 3/2, 2141 CA

**E10-2773-4**  
 MAIN STRIPPER  
 19/25-240 194 TDA, C  
 23444 DD X 12744 3/2, 2141 CA  
 117 104 HOP @ -28/178 DEG C  
 23444 DD X 12744 3/2, 2141 CA

**E10-2773-5**  
 MAIN STRIPPER  
 19/25-240 194 TDA, C  
 23444 DD X 12744 3/2, 2141 CA  
 117 104 HOP @ -28/178 DEG C  
 23444 DD X 12744 3/2, 2141 CA

**E10-2773-6**  
 MAIN STRIPPER  
 19/25-240 194 TDA, C  
 23444 DD X 12744 3/2, 2141 CA  
 117 104 HOP @ -28/178 DEG C  
 23444 DD X 12744 3/2, 2141 CA

**E10-2773-7**  
 MAIN STRIPPER  
 19/25-240 194 TDA, C  
 23444 DD X 12744 3/2, 2141 CA  
 117 104 HOP @ -28/178 DEG C  
 23444 DD X 12744 3/2, 2141 CA

**E10-2773-8**  
 MAIN STRIPPER  
 19/25-240 194 TDA, C  
 23444 DD X 12744 3/2, 2141 CA  
 117 104 HOP @ -28/178 DEG C  
 23444 DD X 12744 3/2, 2141 CA

**E10-2773-9**  
 MAIN STRIPPER  
 19/25-240 194 TDA, C  
 23444 DD X 12744 3/2, 2141 CA  
 117 104 HOP @ -28/178 DEG C  
 23444 DD X 12744 3/2, 2141 CA

**E10-2773-10**  
 MAIN STRIPPER  
 19/25-240 194 TDA, C  
 23444 DD X 12744 3/2, 2141 CA  
 117 104 HOP @ -28/178 DEG C  
 23444 DD X 12744 3/2, 2141 CA

**E10-2773-11**  
 MAIN STRIPPER  
 19/25-240 194 TDA, C  
 23444 DD X 12744 3/2, 2141 CA  
 117 104 HOP @ -28/178 DEG C  
 23444 DD X 12744 3/2, 2141 CA

**E10-2773-12**  
 MAIN STRIPPER  
 19/25-240 194 TDA, C  
 23444 DD X 12744 3/2, 2141 CA  
 117 104 HOP @ -28/178 DEG C  
 23444 DD X 12744 3/2, 2141 CA

GENERAL NOTES		
• ALL LINES H.T. & ISOLATED OUTSIDE BUILDINGS ONLY.		
• A: DETAILES WOOD SUPPLY INSTALLATIONS AND EQUIPMENT.		
NO.	DESCRIPTION	DATE
0	ISSUED FOR CONSTRUCTION	
1	RE-DESIGNED FOR CONSTRUCTION	
2	GENERAL REVISIONS & UPDATES	
3	AS BUILT	

REFERENCE DRAWINGS			
NO.	DESCRIPTION	DATE	BY
0	ISSUED FOR CONSTRUCTION		
1	RE-DESIGNED FOR CONSTRUCTION		
2	GENERAL REVISIONS & UPDATES		
3	AS BUILT		

**GENERAL NOTES**

• ALL LINES H.T. & ISOLATED OUTSIDE BUILDINGS ONLY.

• A: DETAILES WOOD SUPPLY INSTALLATIONS AND EQUIPMENT.

• AT LINES H.T. & ISOLATED OUTSIDE BUILDINGS ONLY.

• DETAILES WOOD SUPPLY INSTALLATIONS AND EQUIPMENT.

• 0: ISSUED FOR CONSTRUCTION

• 1: RE-DESIGNED FOR CONSTRUCTION

• 2: GENERAL REVISIONS & UPDATES

• 3: AS BUILT

REFERENCE DRAWINGS		
NO.	DESCRIPTION	DATE
0	ISSUED FOR CONSTRUCTION	
1	RE-DESIGNED FOR CONSTRUCTION	
2	GENERAL REVISIONS & UPDATES	
3	AS BUILT	

GENERAL NOTES			
• ALL LINES H.T. & ISOLATED OUTSIDE BUILDINGS ONLY.			
• A: DETAILES WOOD SUPPLY INSTALLATIONS AND EQUIPMENT.			
• AT LINES H.T. & ISOLATED OUTSIDE BUILDINGS ONLY.			
• DETAILES WOOD SUPPLY INSTALLATIONS AND EQUIPMENT.			
• 0: ISSUED FOR CONSTRUCTION			
• 1: RE-DESIGNED FOR CONSTRUCTION			
• 2: GENERAL REVISIONS & UPDATES			
• 3: AS BUILT			

REV.	NO.	DATE	BY	CHECKED BY	DESCRIPTION
3					FOR AS BUILT DRAWING SEE ALCO DWG A-12345 SHT 2 OF 2
2					SCHEMATIC REV. BY E. CHAZZ FOR AS BUILT DRAWING SEE ALCO DWG A-12345 SHT 2 OF 2
1					ISSUED BY E. CHAZZ

**AMOCO CANADA PETROLEUM COMPANY LTD.**  
 REFINERY SOLUTIONS GAS DEBOTTLECKING PROJECT  
 REFINERY GAS SWEETENING UNIT  
 PIPING & INSTRUMENTATION DIAGRAM

11-06-02-07

GENERAL NOTES

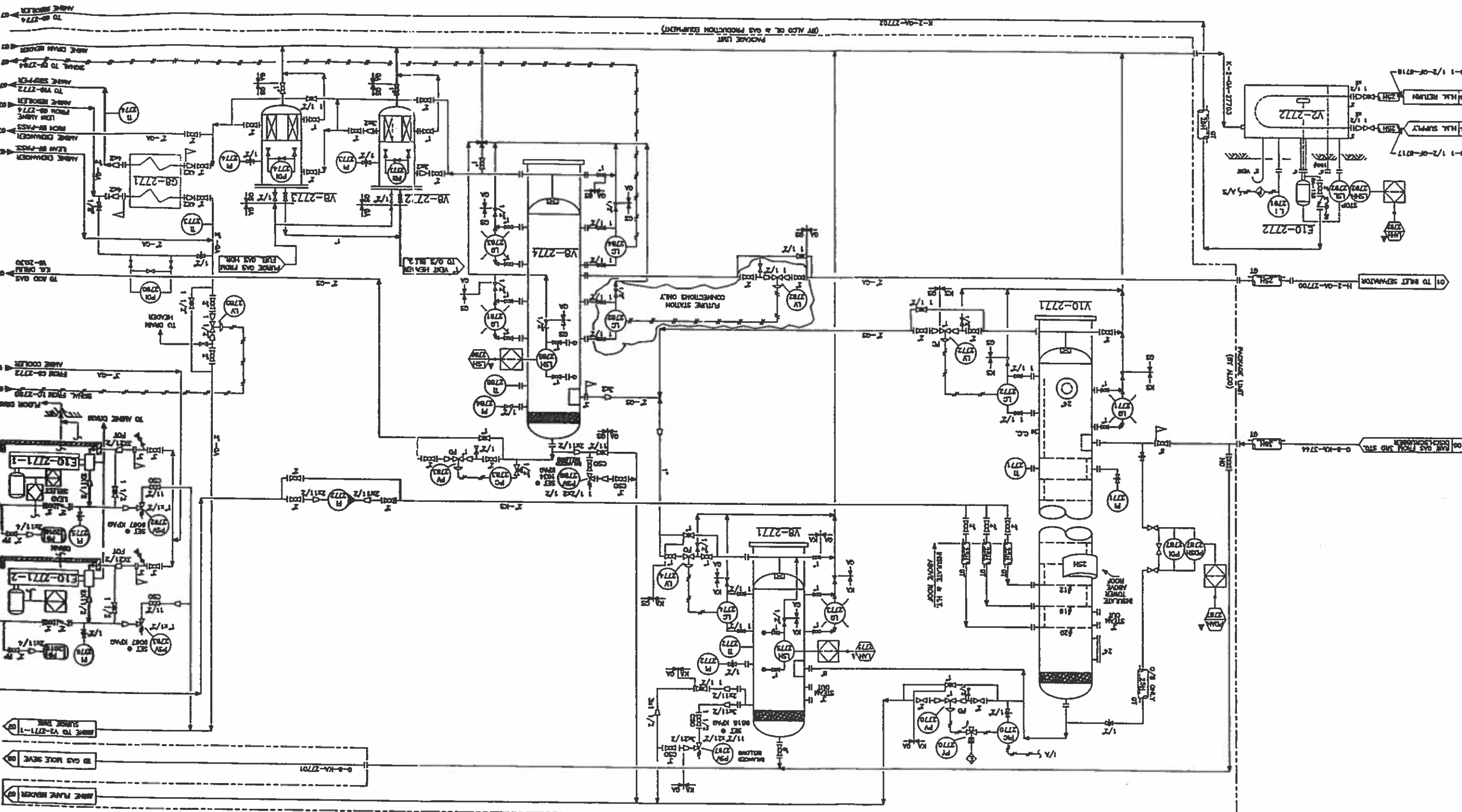
• ALL LINES N.T. & INSTALLED OUTSIDE BUILDING ONLY.  
 • DEPARTS WOOD SUPPLY MATERIALS AND EQUIPMENT.

REFERENCE DRAWINGS

NO.	DESCRIPTION	BY DATE/CHK.
0	ISSUED FOR CONSTRUCTION	T.L. 11/28/83
1	ISSUED FOR CONSTRUCTION	T.L. 11/28/83
2	GENERAL REVISIONS & UPDATE	T.L. 11/28/83
3	AS BUILT	L.S. 11/28/83

FOR AS BUILT DRAWING SEE ALSO DWG. A-12258 SH. 1 OF 2  
 DESIGNED BY R. C. CHAMBERLAIN 88-18-03  
 CHECKED BY L. CHAMBERLAIN 88-18-03

NO.	DATE	BY	DESCRIPTION
1	11-08-02-08	AI	11-08-02-08



- V2-2772 AMINE STORAGE TANK  
182500 L, 120000 L CAPACITY
- E10-2772 AMINE STRIP PUMP  
22 KW, 3/80/1000
- V10-2771 AMINE FLASH TANK  
121500 L, 120000 L CAPACITY
- V8-2771 AMINE SCRUBBER  
102400 L, 100000 L CAPACITY
- V8-2771 AMINE FILTER  
102400 L, 100000 L CAPACITY
- V8-2771 AMINE CHEMICAL FILTER  
102400 L, 100000 L CAPACITY
- V8-2771 AMINE/AMINE EXCHANGER  
102400 L, 100000 L CAPACITY
- E10-2771-1/2 AMINE CIRCULATING PUMPS  
102400 L, 100000 L CAPACITY

**AMINE STORAGE TANK**  
 1828MM DIA. X 3048MM LC  
 7848 LITERS CAPACITY  
**VB-2772**

**E10-2772**  
 AMINE SUMP PUMP  
 VERTICAL TURBINE  
 4.5 KW/HR @ 50 M HEAD  
 ERSCO MOD. 4440-57-7 STAGE  
 2.2 KW 3/80/480V

**VB-2771**  
 AMINE CONTACTOR  
 1219MM ID X 1524MM S/S 3MM CA  
 8515 KPA MOP @ -28/78 DEG C

**VB-2774**  
 AMINE FLASH TANK  
 1814MM OD X 3048MM S/S 3MM CA  
 1034 KPA MOP @ -28/93 DEG C

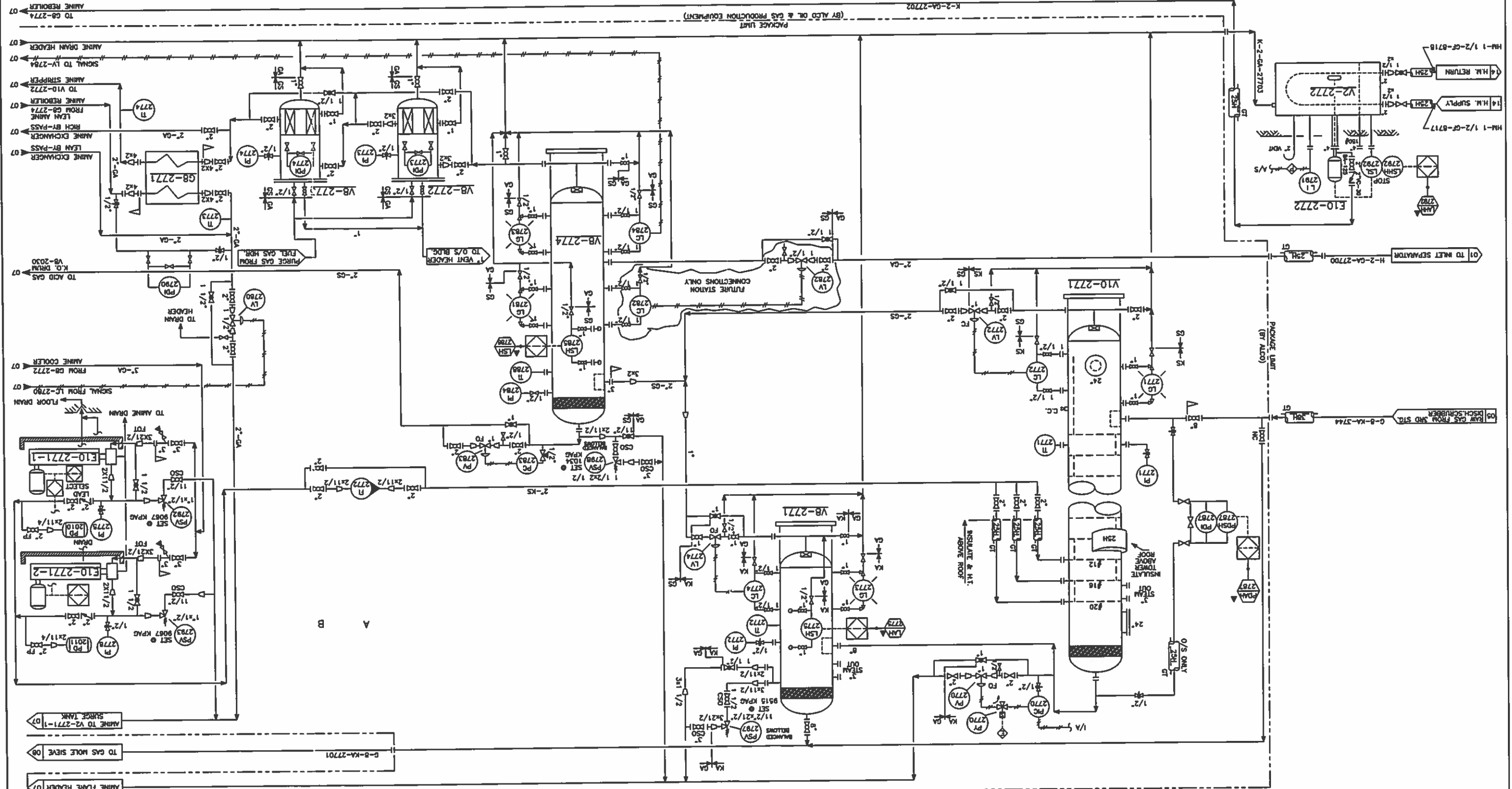
**VB-2771**  
 AMINE SCRUBBER  
 1219MM OD X 2438MM S/S 3MM CA  
 8515 KPA MOP @ -28/78 DEG C  
 VERTICAL 2-PHASE

**VB-2772**  
 AMINE FILTER  
 PECO 55-15-336  
 1035 KPA MOP @ -28/93 DEG C 3MM CA  
 W/ 15 MICRON FLOW ELEMENTS  
 FULL FLOW

**VB-2773**  
 AMINE CHARCOAL FILTER  
 PECO 10-3-22  
 1034 KPA MOP @ -28/93 DEG C 3MM CA  
 W/ 1 MICRON ELEMENT  
 10X SLIP STREAM FLOW

**GB-2771**  
 AMINE/AMINE EXCHANGER  
 ALPHA LVNL M10-BF  
 W/ 45-318 S/S PLATES  
 407KW + 10X SPARE  
 1471

**E10-2771-1/2**  
 AMINE CIRCULATING PUMPS  
 UNION 44.5MM X 78.2MM TD-60  
 W/ 30 KW 3/80/480 V EX. PROOF  
 CAPACITY: 7.45 M<sup>3</sup>/HR



**GENERAL NOTES**

- ALL LINES H.T. & INSULATED OUTSIDE BUILDING ONLY.
- DESIGNATES AMOCO SUPPLIED INSTRUMENTS AND EQUIPMENT.

**REFERENCE DRAWINGS**

NUMBER	TITLE
0	ISSUED FOR CONSTRUCTION
1	RE-ISSUED FOR CONSTRUCTION
2	GENERAL REVISIONS & UPDATE
3	AS BUILT
4	ADDED AMOCO DWG. NO.

**REVISION**

NO.	DESCRIPTION	DATE	CHK.	BY
1	ISSUED FOR CONSTRUCTION	89-10-03	T.L.	EG
2	GENERAL REVISIONS & UPDATE	89-10-03	T.L.	EG
3	AS BUILT	89-10-03	J.S.	EG
4	ADDED AMOCO DWG. NO.	89-10-03	K.T.	EG

FOR AS BUILT DRAWING SEE  
 ALCO DWG. A-13258 SHIT. 1 OF 2  
 ORIGINAL REV. O PERMIT STAMP 89-10-03  
 SIGNED BY B. O CAMPBELL 89-10-03  
 ORIGINAL REV. O PROFESSIONAL ENGINEER STAMP  
 11-08-02-08  
 CONTRACTOR DWG. NO.

**Macdonald Engineering Projects Ltd.**  
 2-11-80-BWSM  
 NIPISI SOLUTION GAS DEBOTTLENECK PROJECT  
 PIPING & INSTRUMENTATION DIAGRAM  
 D-NIP-220-39

AMOCO CANADA PETROLEUM COMPANY LTD.  
 AC D126258  
 AC-092-58  
 AC D126258

GENERAL NOTES		REFERENCE DRAWINGS		REVISION	
ALL LINES H.T. & INSULATED OUTSIDE BUILDING ONLY.		NO.	DESCRIPTION	BY	DATE
DESIGNATES AMOCO SUPPLIED INSTRUMENTS AND EQUIPMENT.		1	ISSUED FOR CONSTRUCTION	T.L.	09-10-03
		2	RE-ISSUED FOR CONSTRUCTION	T.L.	09-10-03
		3	GENERAL REVISIONS & UPDATE	J.S.	
		4	AS BUILT	K.T.	
		ADDED AMOCO DWG. NO.			
CONTRACTOR DWG. NO. 11-06-02-07 DRAWN BY T. JACKO CHECKED BY E. GRENZ APPROVED BY E. GRENZ DATE 09-05-19 SCALE N/A A1 D-NIP-220-40 REV. 4					

AC-092-59 AC D126259

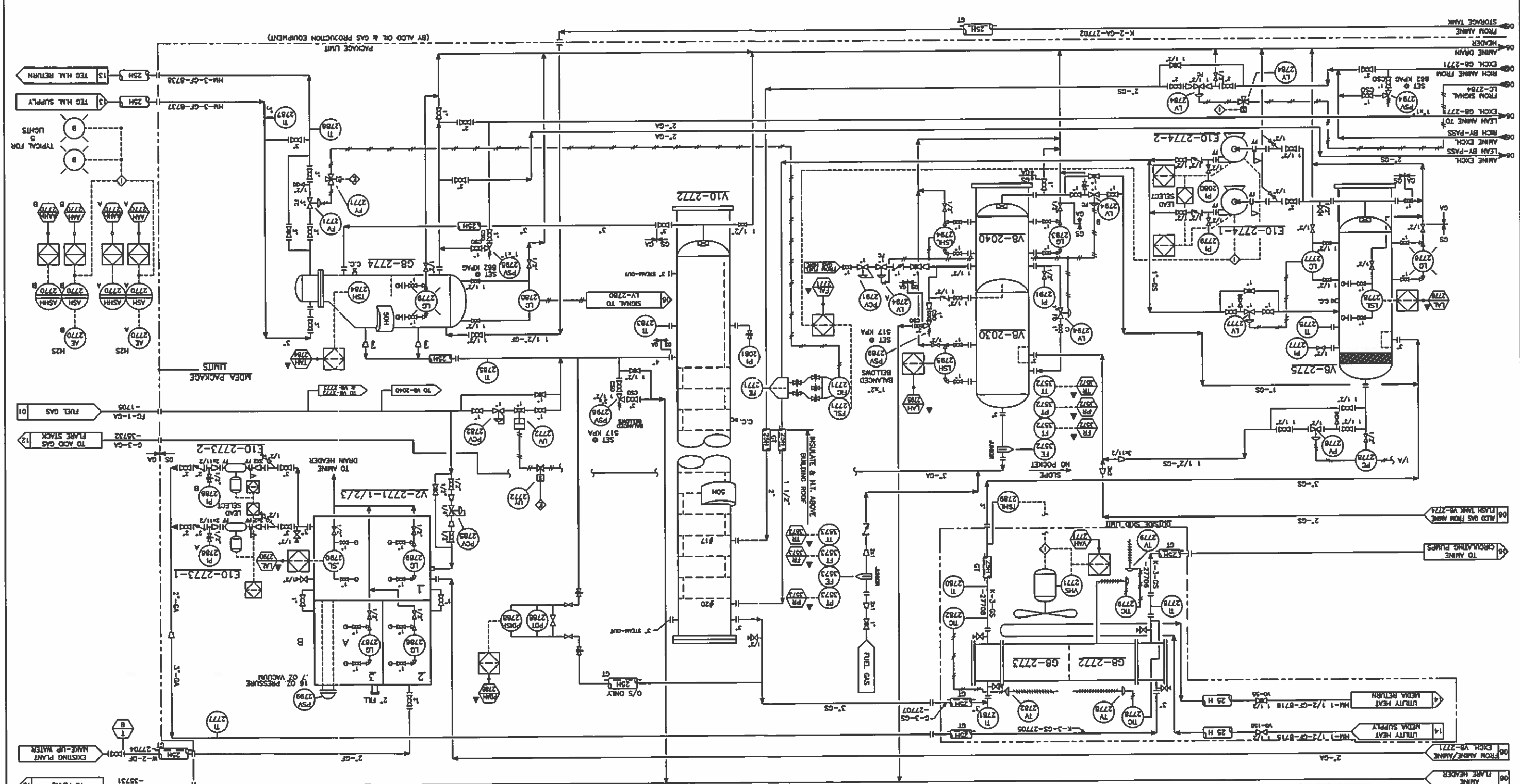
AMOCO CANADA PETROLEUM COMPANY LTD.

2-11-80-BWSM  
NIPISI SULLION GAS SWEETENING UNIT  
PIPING & INSTRUMENTATION DIAGRAM

Macdonald Engineering Projects Ltd.  
OWNER

FOR AS BUILT DRAWING SET  
ALCO DWG. A-1258 SHT 2 OF 2  
SIGNED BY B. C. CAMPBELL 09-10-03  
ORIGINAL REV. D PERMIT STAMP

FOR AS BUILT DRAWING SET  
ALCO DWG. A-1258 SHT 2 OF 2  
SIGNED BY E. GRENZ 09-10-03  
ORIGINAL REV. D PROFESSIONAL ENGINEER STAMP



- VB-2775**  
 REFLUX ACCUMULATOR  
 517 KPA MOP @ -26/149 DEG C  
 1524MM OD X 1524MM S/S, 3MM CA  
 VERTICAL 2-PHASE
- E10-2774-1/2**  
 REFLUX PUMPS  
 324MM OD X 1524MM S/S, 3MM CA  
 W/ 3/80/480V EX. PROOF  
 CAPACITY: 2.3M3/HR @ 38.5M HEAD  
 TRNK. 318 SS
- G8-2772/G8-2773**  
 AMINE COOLER/REFLUX CONDENSER  
 ACE MODEL E935 W/ 15 KW 3/60/480V EX. PROOF  
 1034 KPA MOP @ -26/176 DEG C, 1.5MM CA  
 DUTY: 350 KW + 20X SPARE
- VB-2030/VB-2040**  
 ACID GAS FLARE K.O./BLOWDOWN  
 324MM OD X 610MM S/S, 3MM CA  
 517 KPA MOP @ -26/149 DEG C
- V10-2772**  
 AMINE STRIPPER  
 609MM OD X 1364MM S/S, 3MM CA  
 W/ 20 CARRIAGE TYPE TRAYS  
 VALVE TRAYS BY GLITSCH
- G8-2774**  
 AMINE REBOILER  
 1528-240 BRU TEMA 'C'  
 1510KPA MOP @ -20/176 DEG C, 1.5MM CA  
 SS: 517KPA MOP @ -20/176 DEG C, 1.5MM CA  
 DUTY: 600,000 KW + 20X SPARE
- V2-2771-1/2/3**  
 AMINE/WATER MAKE-UP WATER/MAKE-UP AMINE  
 243MM OD X 3857MM HIGH, ATMOSPHERIC  
 V2-2771-1: 8500 LITERS  
 V2-2771-2: 5400 LITERS  
 V2-2771-3: 1900 LITERS
- E10-2773-1/2**  
 AMINE/WATER BOOSTER PUMPS  
 UNION 304M X 50MM X 178MM VCM  
 2.2 KW 3/60/480V EX. PROOF  
 CAPACITY: 7.5 M3/HR @ 24M HEAD