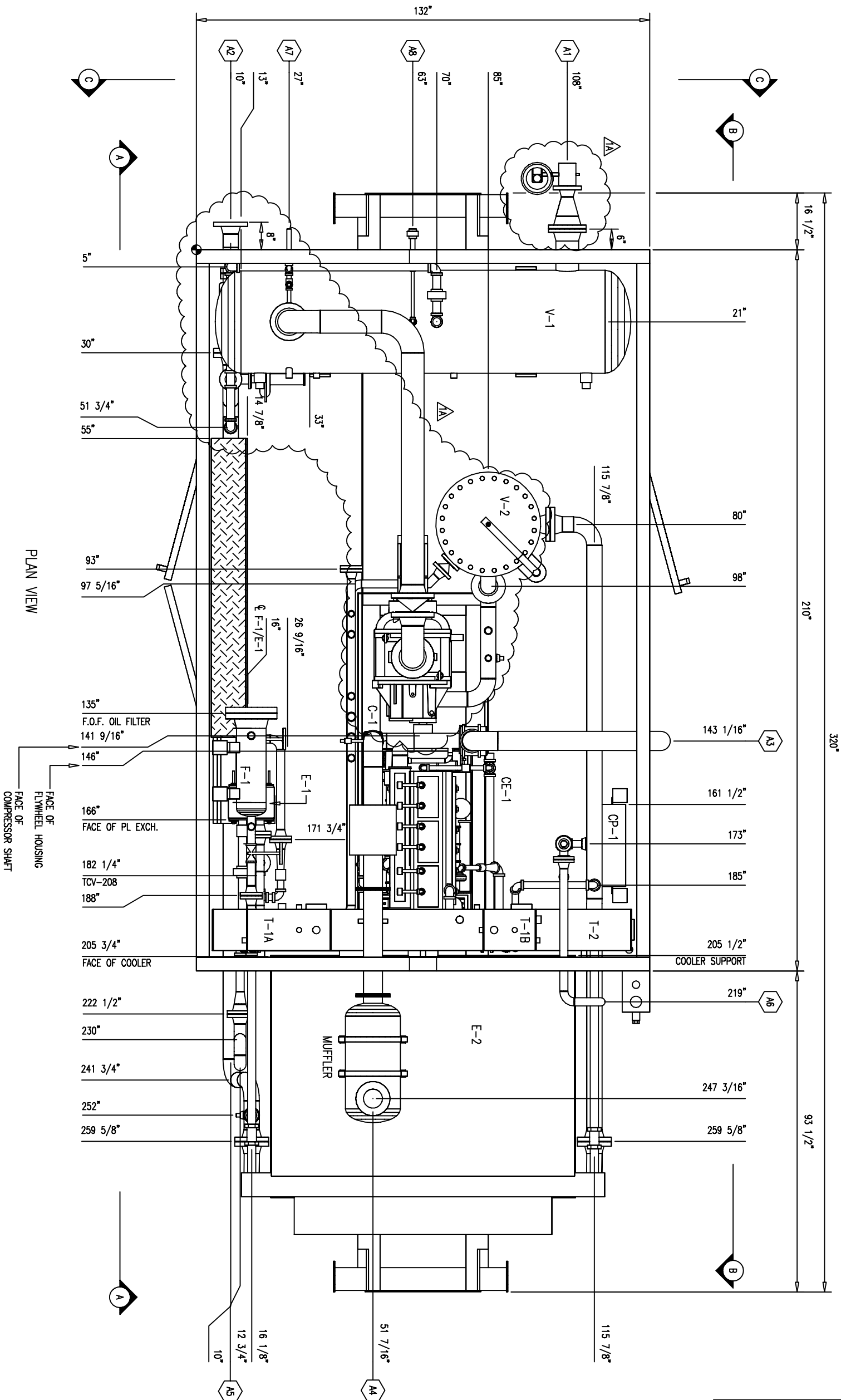
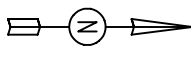


PLANT NORTH

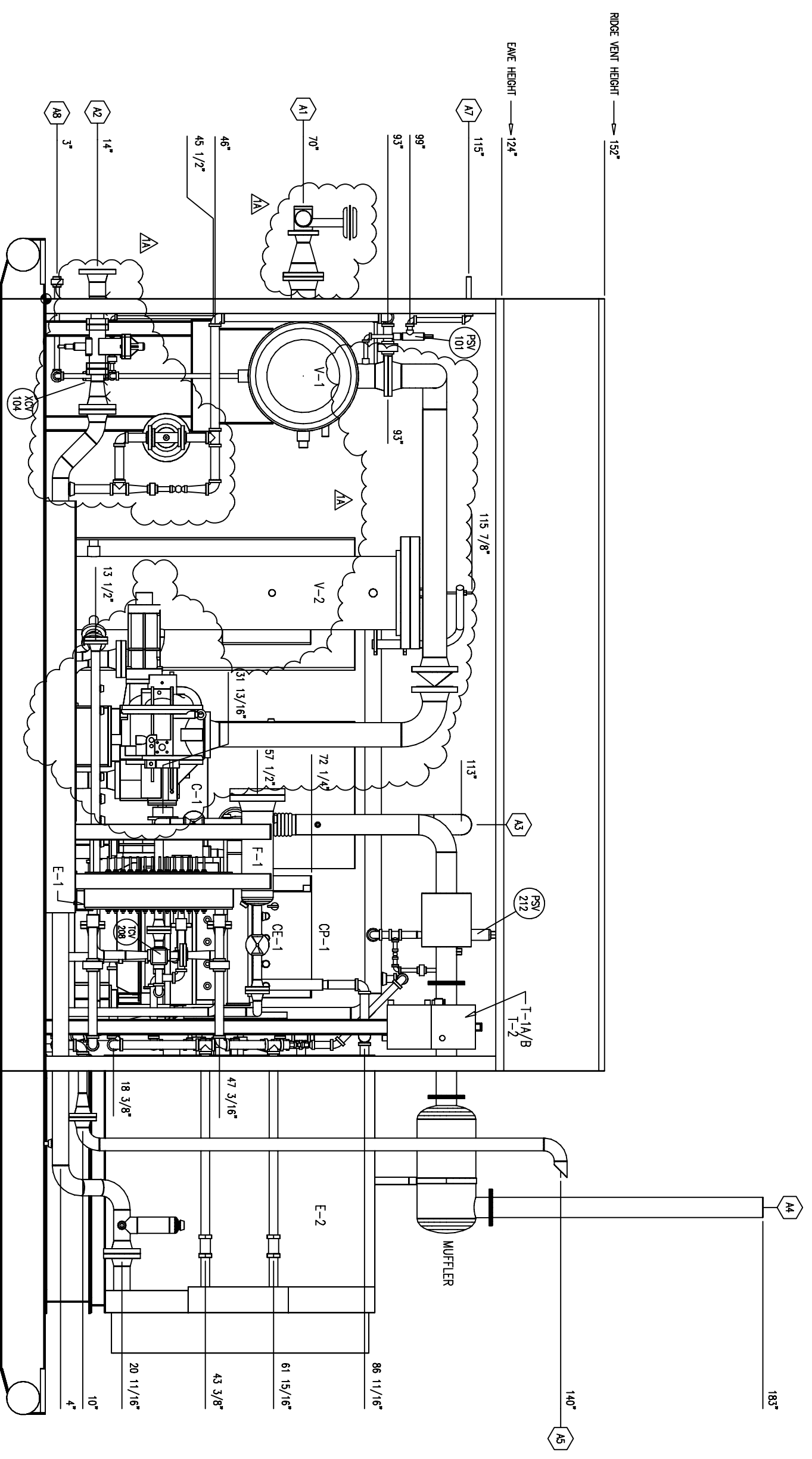


NOZZLE SCHEDULE				
MARK	SERVICE	SIZE	RATING	TYPE
A1	GAS INLET	6"	300#	RFWN
A2	GAS OUTLET	4"	300#	RFWN
A3	ENGINE AIR INTAKE	5"	-	STUB
A4	ENGINE EXHAUST	5"	-	STUB
A5	START GAS VENT	3"	-	STUB
A6	RELIEF HEADER	2"	-	STUB
A7	RELIEF VENT	1"	-	STUB
A8	HYDROCARBON DRAIN	1"	3000#	UNION

- GENERAL NOTES:
1. ALL TAIL DIMENSIONS FROM REFERENCE POINT.
  2. SHIPPING LENGTH: 320"
  3. SHIPPING WIDTH: 143 1/2"
  4. SHIPPING HEIGHT: 165"
  5. SHIPPING WEIGHT: 35600 LBS
  6. OPERATING WEIGHT: 35600 LBS
  7. OVERALL SKID DEPTH: 12 7/16"
  8. NOZZLE ELEVATIONS ARE FROM CENTERLINE OF PIPE TO TOP OF BASE (REFERENCE POINT).
  9. (\*) DENOTES ELEVATION FROM FACE OF FLANGE TO TOP OF BASE (REFERENCE POINT).

REV.	DESCRIPTION	DATE	BY	APPR.
1A	GENERAL REVISION	NOV 12/04	BD	
1	ISSUED FOR CONSTRUCTION	SEP 13/04	KW	AR

DRAWN BY:	B. DAWOOD	DATE:	SEP 13, 2004
CHD. BY:	A. ROSSI	SCALE:	3/4"=1'-0"
APPR. BY:	A. ROSSI	W.D. No.:	11605201
CUST. PO No.:			
TITLE: GENERAL ARRANGEMENT		FOR: TOROMONT PROCESS SYSTEMS 200 HP BOOSTER COMPRESSOR	
DWG. No.:	11605-201	SHEET No.:	1 OF 4



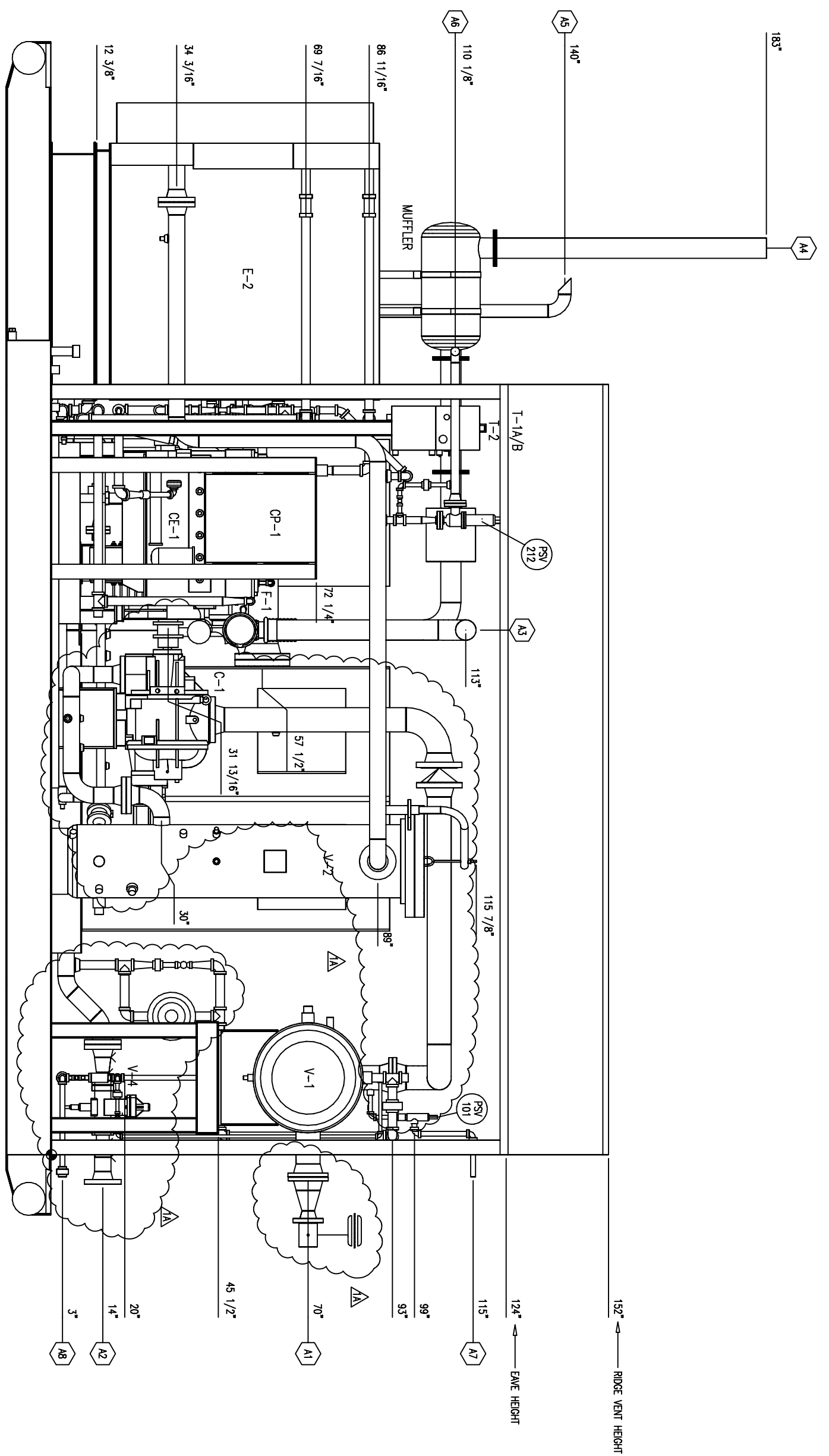
ELEVATION 'A-A'

REV.	DESCRIPTION	DATE	BY	APPR.
1A	GENERAL REVISION	NOV 12/04	BD	
1	ISSUED FOR CONSTRUCTION	SEP 13/04	KW	AR

PERMIT TO PRACTICE STAMP

ENGINEER STAMP

DRAWN BY: B. DAWOOD CHD. BY: A. ROSSI APPR. BY: A. ROSSI	DATE: SEP 13, 2004 SCALE: 3/4" = 1'-0" W.D. No.: 11605201	TITLE: ELEVATION 'A-A'	FOR: TOROMONT PROCESS SYSTEMS 200 HP BOOSTER COMPRESSOR
CUST. PO No.:	11605-201	DWG. No.:	11605-201
SHEET No.:	2 OF 4	REV.:	1A



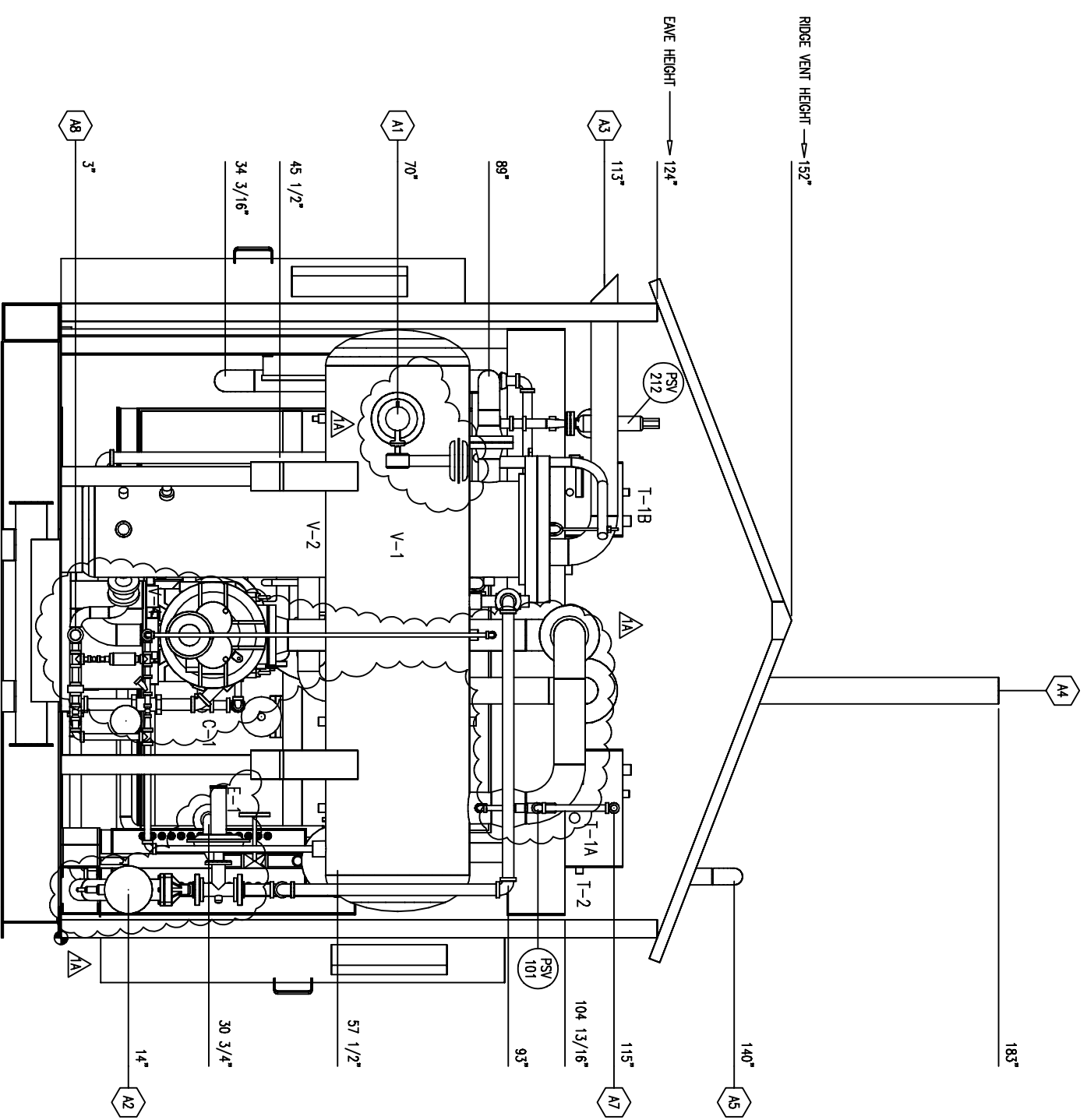
ELEVATION 'B-B'

REV.	DESCRIPTION	DATE	BY	APPR.
1A	GENERAL REVISION	NOV 12/04	BD	
1	ISSUED FOR CONSTRUCTION	SEP 13/04	KW	AR

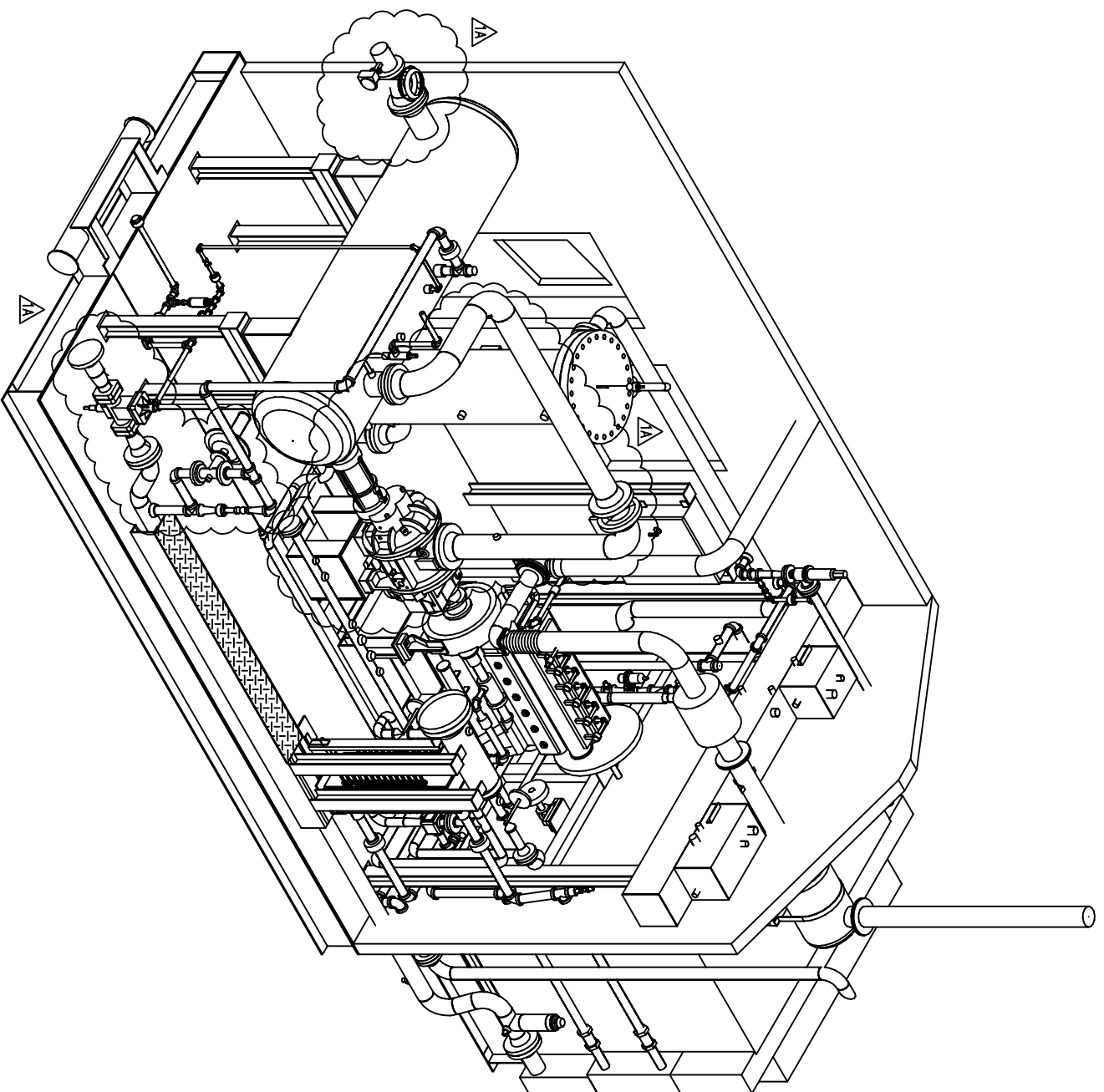
PERMIT TO PRACTICE STAMP

ENGINEER STAMP

DRAWN BY: B. DAWOOD	DATE: SEP 13, 2004	TITLE: ELEVATION 'B-B'	
CHD. BY: A. ROSSI	SCALE: 3/4"=1'-0"	FOR: TOROMONT PROCESS SYSTEMS 200 HP BOOSTER COMPRESSOR	
APPR. BY: A. ROSSI	W.D. No.: 11605201	DWG. No.:	11605-201
CUST. PO No.:		SHEET No.:	3 OF 4
		REV.:	1A



ELEVATION 'C-C'



3D ISOMETRIC

REV.	DESCRIPTION	DATE	BY	APPR.
1A	GENERAL REVISION	NOV 12/04	BD	
1	ISSUED FOR CONSTRUCTION	SEP 13/04	KW	AR

PERMIT TO PRACTICE STAMP

ENGINEER STAMP

DRAWN BY: B. DAWOOD CHD. BY: A. ROSSI APPR. BY: A. ROSSI	DATE: SEP 13, 2004 SCALE: 3/4" = 1'-0" W.D. No.: 11605201	TITLE: ELEVATION 'C-C' / 3D ISOMETRIC	FOR: TOROMONT PROCESS SYSTEMS 200 HP BOOSTER COMPRESSOR
DWG. No.: 11605-201	SHEET No.: 4 OF 4	REV. No.: 1A	

