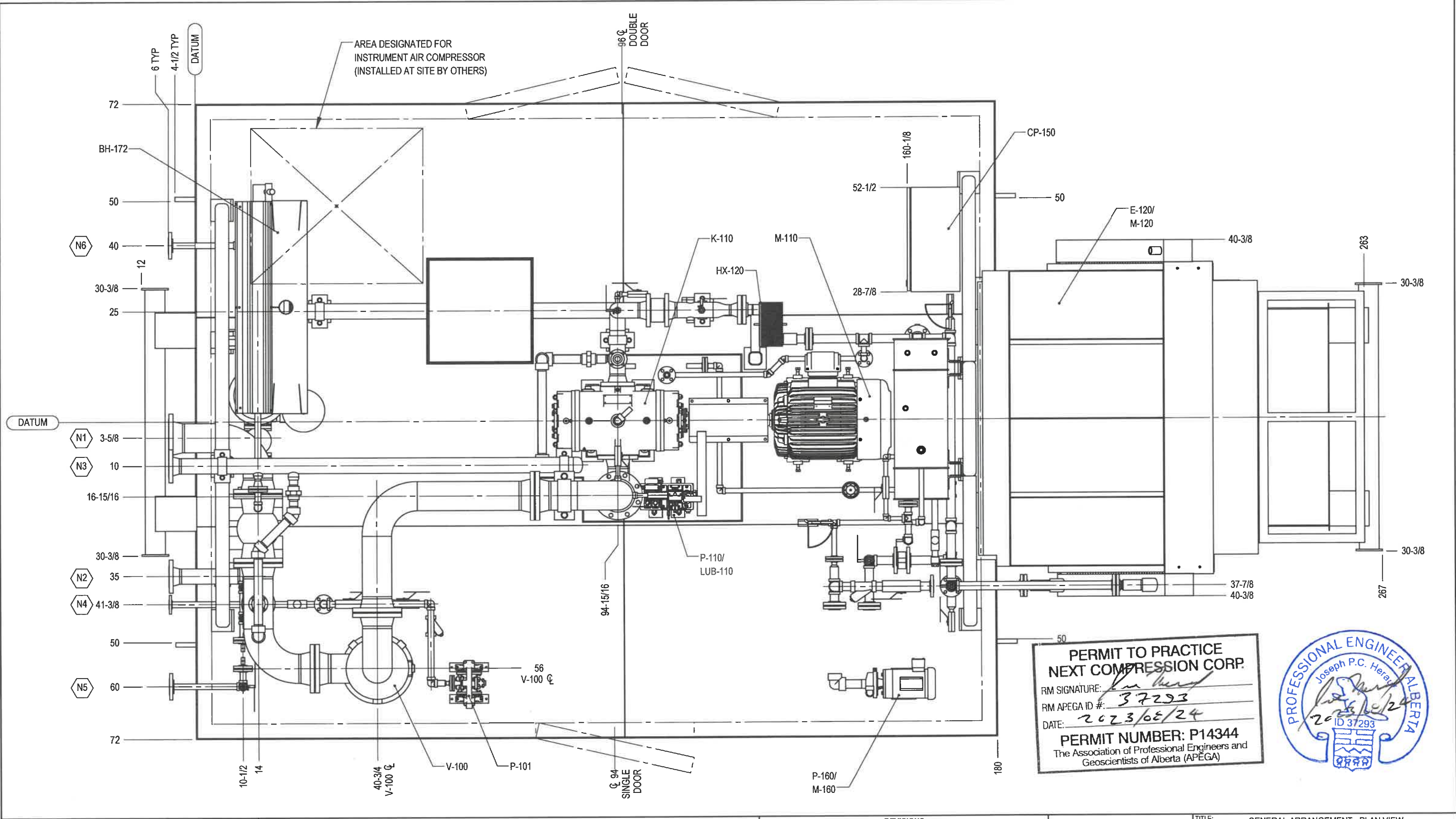
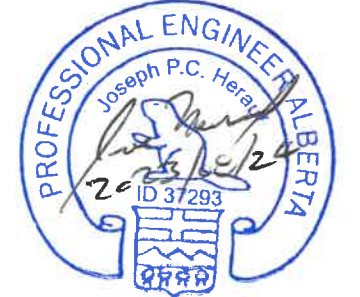


THIS DRAWING IS THE EXCLUSIVE PROPERTY OF NEXT COMPRESSION, AND CANNOT BE REPRODUCED OR DISTRIBUTED WITHOUT THE EXPRESS WRITTEN PERMISSION OF NEXT COMPRESSION.



PERMIT TO PRACTICE
NEXT COMPRESSION CORP.
 RM SIGNATURE: *[Signature]*
 RM APEGA ID #: **37293**
 DATE: **2023/08/24**
PERMIT NUMBER: P14344
 The Association of Professional Engineers and Geoscientists of Alberta (APEGA)



SKID EDGE CONNECTIONS			
TAG	DESCRIPTION	CONNECTION	PROJECTION
N1	VENT GAS INLET	6"-150CL RFWN	6"
N2	PROCESS OUTLET	3"-150CL RFWN	6"
N3	OPEN TO ATMOSPHERE	3"-150CL RFWN	6"
N4	RECOVERED LIQUIDS	1"-150CL RFWN	6"
N5	INSTRUMENT AIR SUPPLY	2"-150CL RFWN	6"
N6	HEATER GAS SUPPLY	2"-150CL RFWN	6"

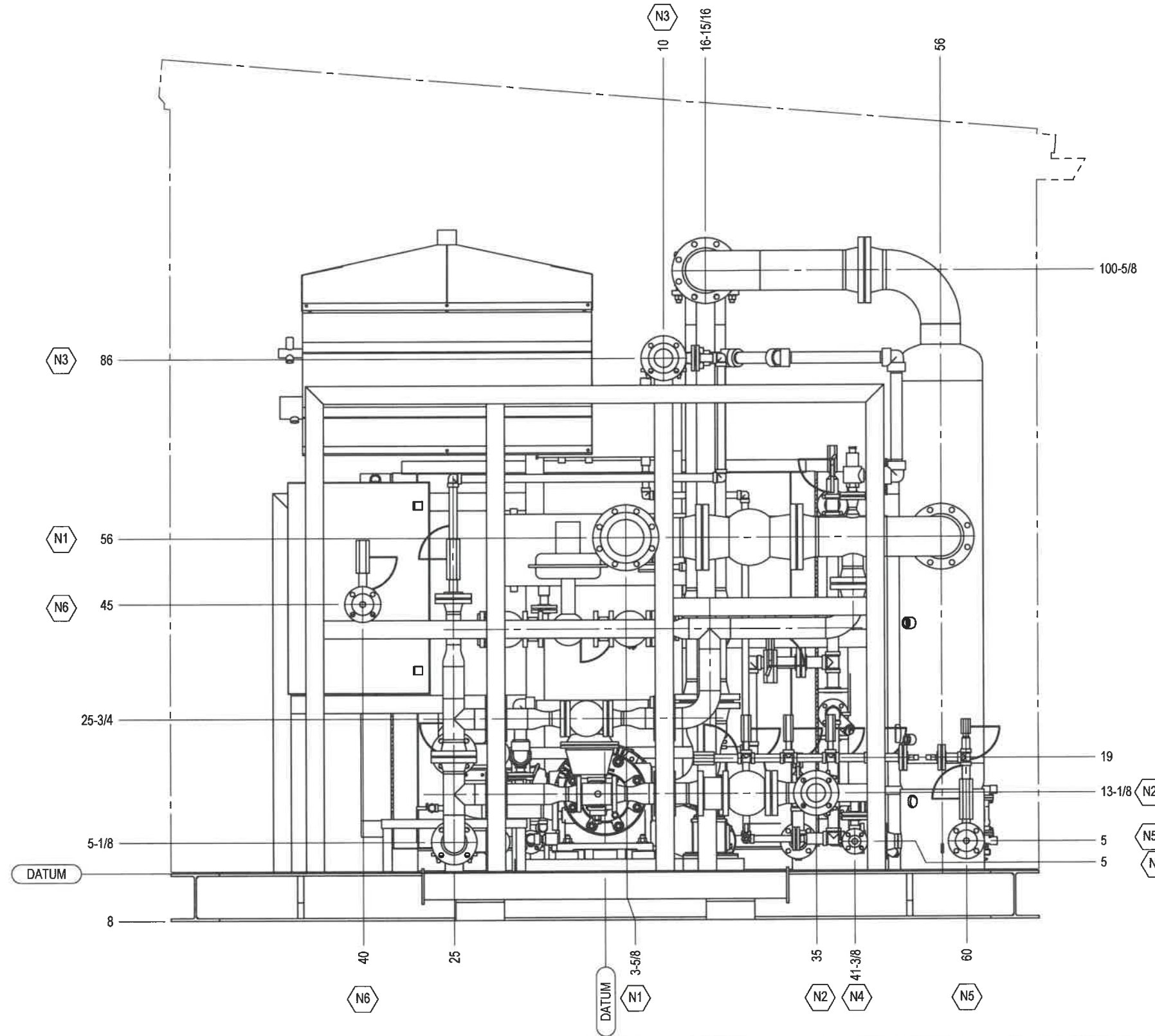
NOTES (UNLESS OTHERWISE SPECIFIED IN THE DRAWING):
 1. ALL DIMENSIONS ARE IN INCHES.
 2. LINEAR DIMENSION TOLERANCE IS $\pm 1/16"$, ANGULAR DIMENSION TOLERANCE IS $\pm 0.5^\circ$.
 3. SKID EDGE CONNECTIONS DIMENSIONS WILL BE CONFIRMED IN THE AS-BUILT REVISION.
 4. BUILDING OUTLINED FOR CLARITY.

REVISIONS				
REV	DESCRIPTION	DATE	BY	APPR
0	ISSUED FOR CONSTRUCTION	06/30/23	RR	NP

NEXT COMPRESSION
 261122 WAGON WHEEL CRES. ROCKY VIEW COUNTY
 ALBERTA, CANADA, T4A 0E2, 1 (800) 256-1598
 WWW.NEXTCOMP.CA

TITLE: GENERAL ARRANGEMENT - PLAN VIEW			
PROJECT: CNRL LTD			
VRU, ROFLO 60HP ELECTRIC SMITH, AB TBA			
DRAWN BY: RR	PROJECT NO.: 101121/2/3/4/5/6/7		
DRAWN DATE (MM/DD/YY): 06/28/23	CUSTOMER REF NO.:		
SHEET: 1 OF 6	NEXT DWG. NO.: 101121-3000	REV: 0	

THIS DRAWING IS THE EXCLUSIVE PROPERTY OF NEXT COMPRESSION, AND CANNOT BE REPRODUCED OR DISTRIBUTED WITHOUT THE EXPRESS WRITTEN PERMISSION OF NEXT COMPRESSION.



PERMIT TO PRACTICE
NEXT COMPRESSION CORP.
 RM SIGNATURE: *Joseph P.C. Herat*
 RM APEGA ID #: 37293
 DATE: 2023/06/24
PERMIT NUMBER: P14344
 The Association of Professional Engineers and Geoscientists of Alberta (APEGA)



NOTES (UNLESS OTHERWISE SPECIFIED IN THE DRAWING):
 1. SEE SHEET 1 FOR GENERAL NOTES.
 2. BUILDING OUTLINED FOR CLARITY.

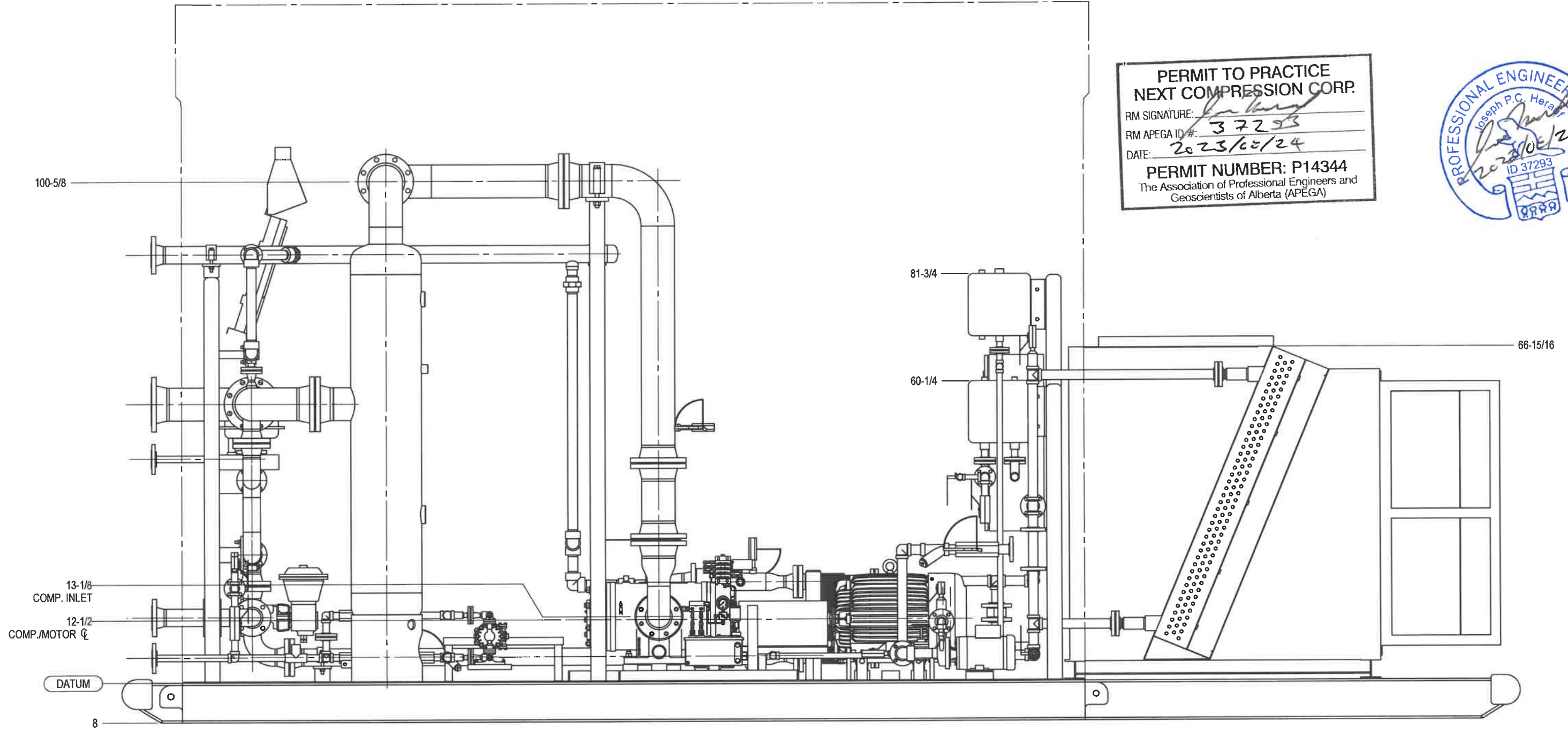
REVISIONS				
REV	DESCRIPTION	DATE	BY	APPR
0	ISSUED FOR CONSTRUCTION	06/30/23	RR	NP

NEXT
COMPRESSION
 261122 WAGON WHEEL CRES. ROCKY VIEW COUNTY
 ALBERTA, CANADA, T4A 0E2, 1 (800) 258-1596
 WWW.NEXTCOMP.CA

LABOUR CODE: -
 MATL CODE: -

TITLE: GENERAL ARRANGEMENT - END VIEW			
PROJECT: CNRL LTD			
VRU, ROFLO 60HP ELECTRIC SMITH, AB TBA			
DRAWN BY: RR	PROJECT NO.: 101121/2/3/4/5/6/7		
DRAWN DATE (MM/DD/YY): 06/28/23	CUSTOMER REF NO.: -		
SHEET: 2 OF 6	NEXT DWG. NO.: 101121-3000	REV.: 0	

THIS DRAWING IS THE EXCLUSIVE PROPERTY OF NEXT COMPRESSION, AND CANNOT BE REPRODUCED OR DISTRIBUTED WITHOUT THE EXPRESS WRITTEN PERMISSION OF NEXT COMPRESSION.



**PERMIT TO PRACTICE
NEXT COMPRESSION CORP.**

RM SIGNATURE: *[Signature]*

RM APEGA ID #: **37293**

DATE: **2023/05/24**

PERMIT NUMBER: P14344
The Association of Professional Engineers and Geoscientists of Alberta (APEGA)



NOTES (UNLESS OTHERWISE SPECIFIED IN THE DRAWING):
1. SEE SHEET 1 FOR GENERAL NOTES.
2. BUILDING OUTLINED FOR CLARITY.

REVISIONS				
REV	DESCRIPTION	DATE	BY	APPR
0	ISSUED FOR CONSTRUCTION	06/30/23	RR	NP

**NEXT
COMPRESSION**
261122 WAGON WHEEL CRES. ROCKY VIEW COUNTY
ALBERTA, CANADA. T4A 0E2. 1 (800) 256-1596
WWW.NEXTCOMP.CA

LABOUR CODE: -
MATL CODE: -

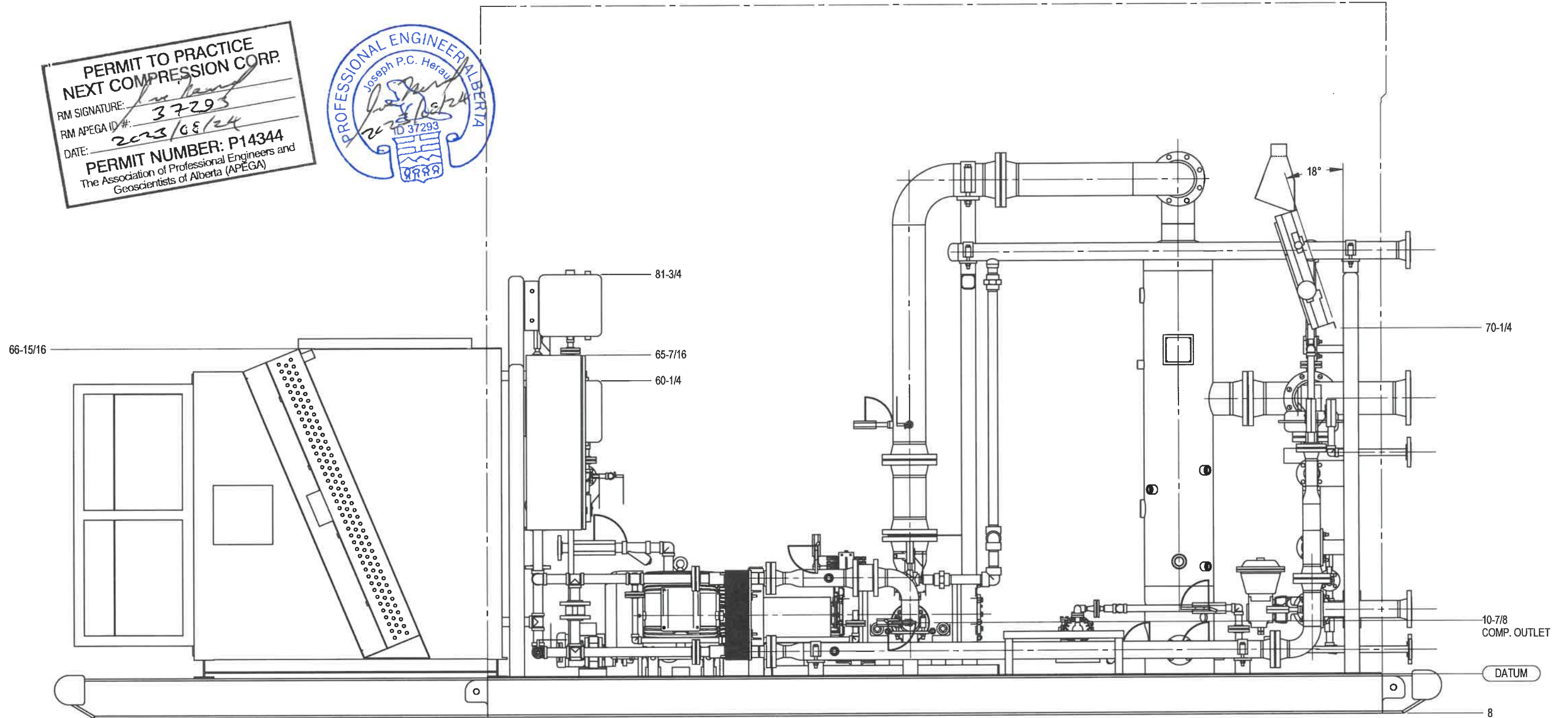
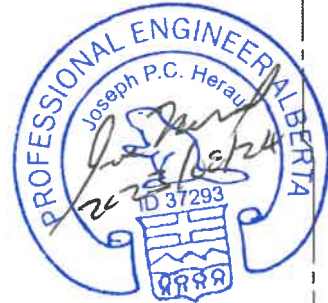
TITLE: GENERAL ARRANGEMENT - ELEVATION VIEW

PROJECT: CNRL LTD
VRU, ROFLO 60HP ELECTRIC
SMITH, AB TBA

DRAWN BY: RR PROJECT NO.: 101121/2/3/4/5/6/7
DRAWN DATE (MM/DD/YY): 06/28/23 CUSTOMER REF NO.: -
SHEET: 3 OF 6 NEXT DWG. NO.: 101121-3000 REV.: 0

THIS DRAWING IS THE EXCLUSIVE PROPERTY OF NEXT COMPRESSION, AND CANNOT BE REPRODUCED OR DISTRIBUTED WITHOUT THE EXPRESS WRITTEN PERMISSION OF NEXT COMPRESSION.

**PERMIT TO PRACTICE
NEXT COMPRESSION CORP.**
 RM SIGNATURE: *[Signature]*
 RM APEGA ID #: **37293**
 DATE: **2023/08/24**
PERMIT NUMBER: P14344
 The Association of Professional Engineers and
 Geoscientists of Alberta (APEGA)



NOTES (UNLESS OTHERWISE SPECIFIED IN THE DRAWING):
 1. SEE SHEET 1 FOR GENERAL NOTES.
 2. BUILDING OUTLINED FOR CLARITY.

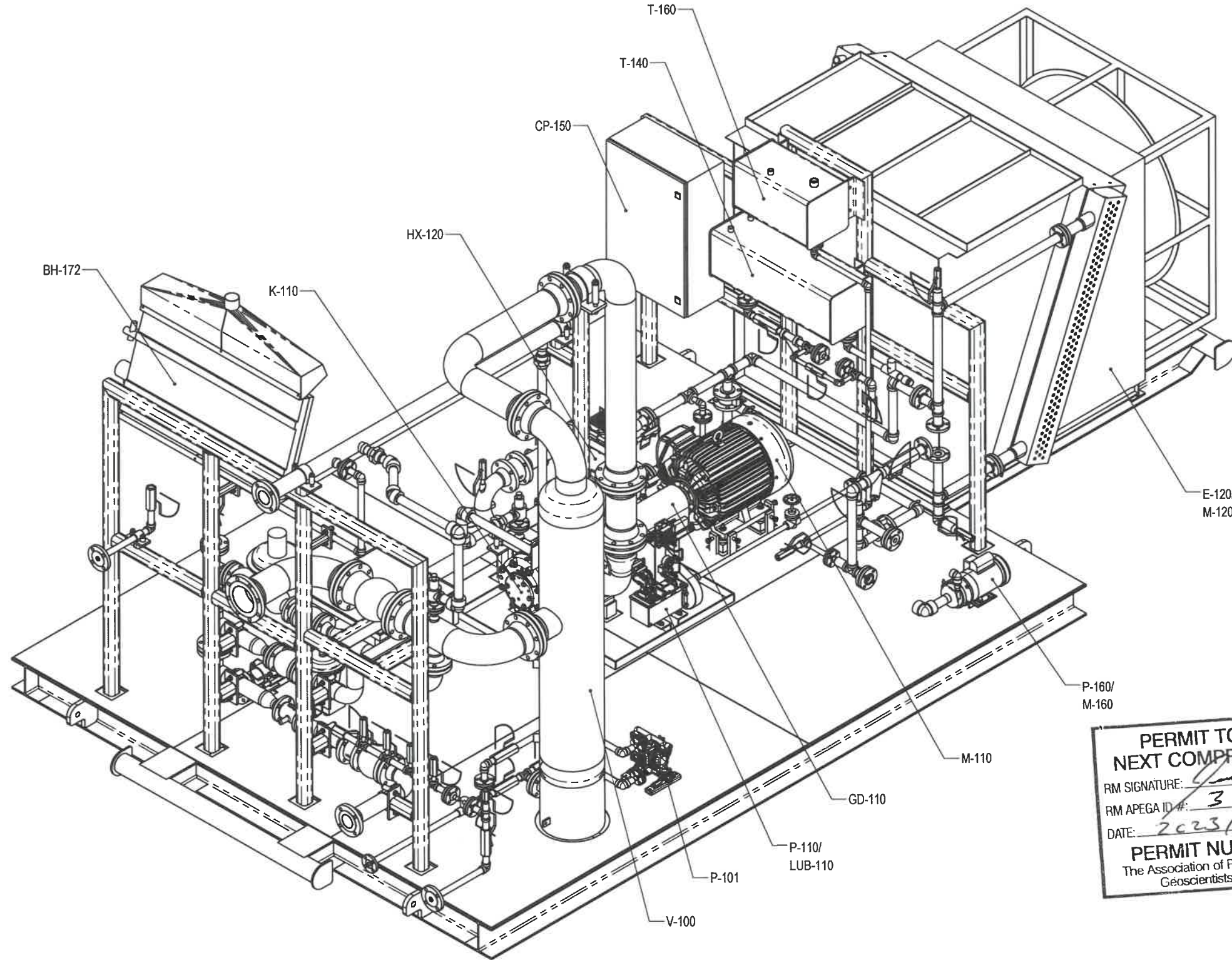
REVISIONS				
REV	DESCRIPTION	DATE	BY	APPR
0	ISSUED FOR CONSTRUCTION	06/30/23	RR	NP



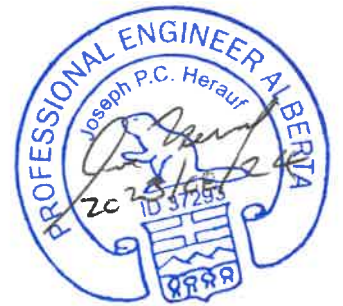
LABOUR CODE: -
 MATL CODE: -

TITLE: GENERAL ARRANGEMENT - ELEVATION VIEW			
PROJECT: CNRL LTD			
VRU, ROFLO 60HP ELECTRIC SMITH, AB TBA			
DRAWN BY: RR	PROJECT NO.: 101121/2/3/4/5/6/7		
DRAWN DATE (MM/DD/YY): 06/28/23	CUSTOMER REF NO.:		
SHEET: 4 OF 6	NEXT DWG. NO.: 101121-3000	REV.: 0	

THIS DRAWING IS THE EXCLUSIVE PROPERTY OF NEXT COMPRESSION, AND CANNOT BE REPRODUCED OR DISTRIBUTED WITHOUT THE EXPRESS WRITTEN PERMISSION OF NEXT COMPRESSION.



**PERMIT TO PRACTICE
NEXT COMPRESSION CORP.**
 RM SIGNATURE: *[Signature]*
 RM APEGA ID #: 37293
 DATE: 2023/06/24
PERMIT NUMBER: P14344
 The Association of Professional Engineers and
 Geoscientists of Alberta (APEGA)



NOTES (UNLESS OTHERWISE SPECIFIED IN THE DRAWING):
 1. SEE SHEET 1 FOR GENERAL NOTES.
 2. BUILDING REMOVED FOR CLARITY.

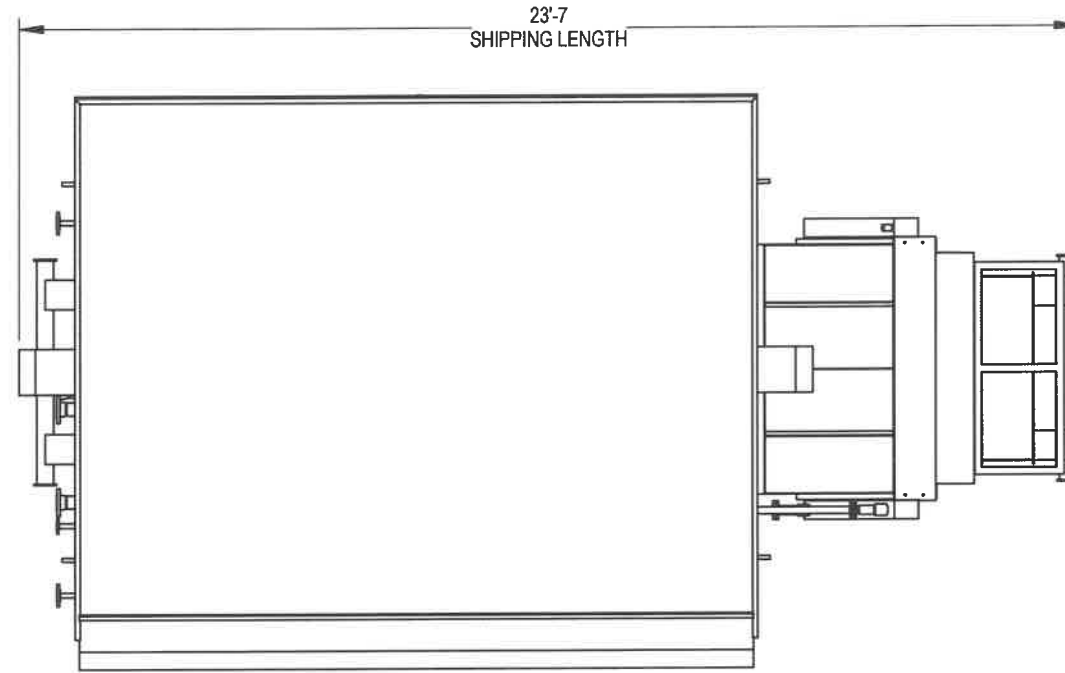
REVISIONS				
REV	DESCRIPTION	DATE	BY	APPR
0	ISSUED FOR CONSTRUCTION	06/30/23	RR	NP

**NEXT
COMPRESSION**
 261122 WAGON WHEEL CRES, ROCKY VIEW COUNTY
 ALBERTA, CANADA T4A 0E2, 1 (800) 256-1698
 WWW.NEXTCOMP.CA

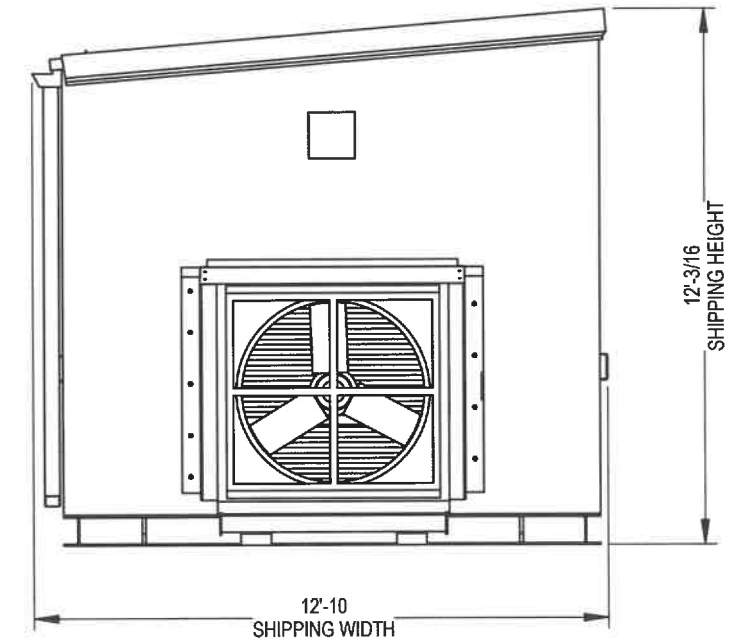
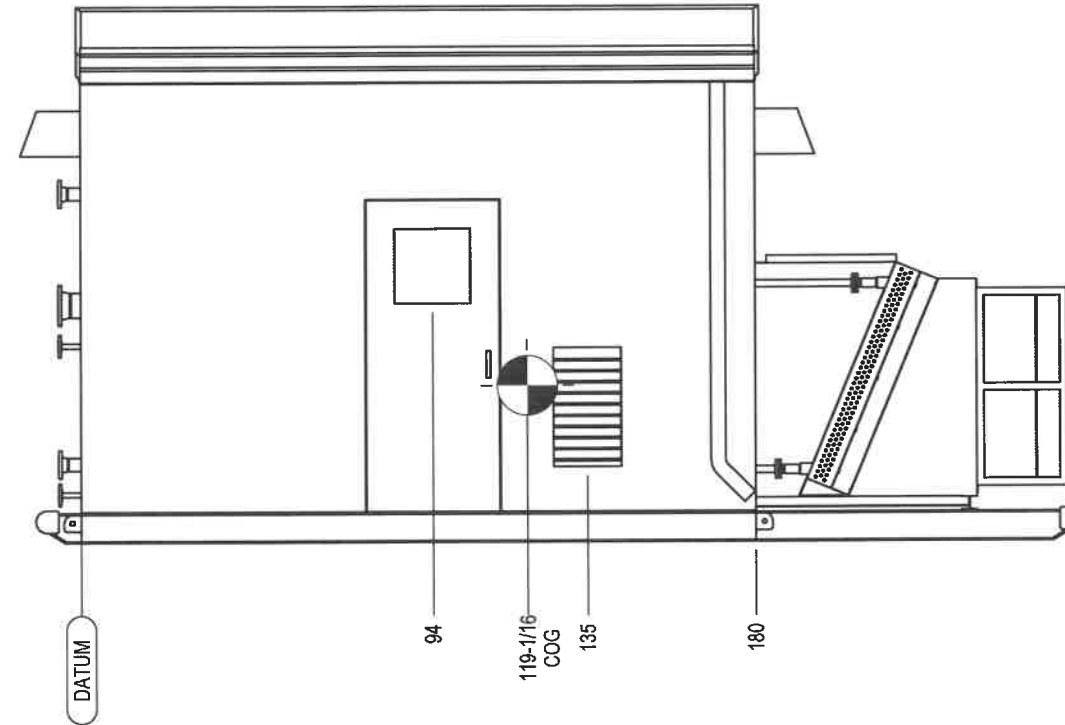
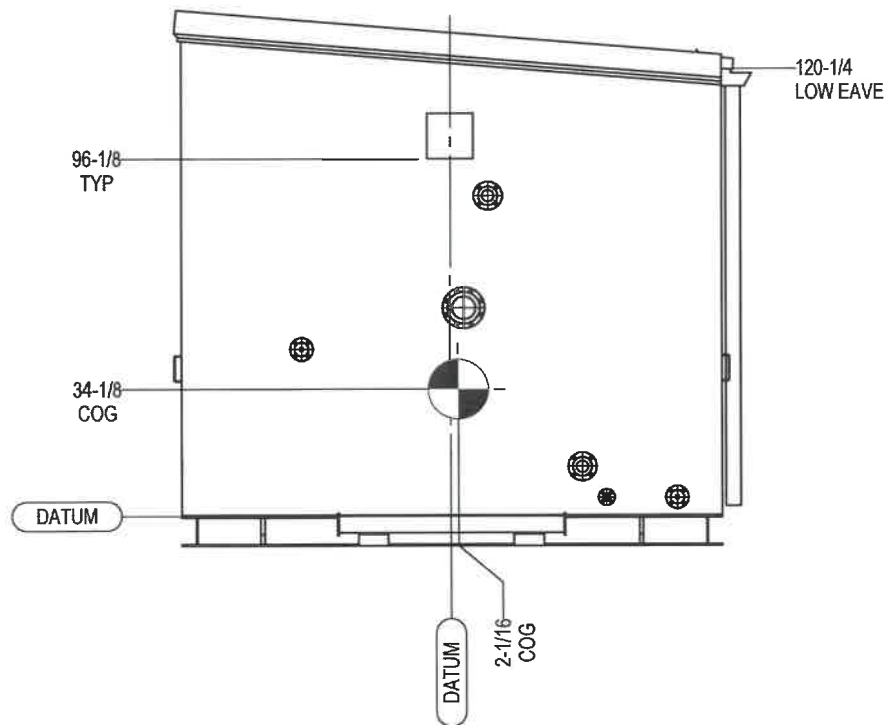
LABOUR CODE: -
 MATL CODE: -

TITLE:	GENERAL ARRANGEMENT - ISOMETRIC VIEW		
PROJECT:	CNRL LTD VRU, ROFLO 60HP ELECTRIC SMITH, AB TBA		
DRAWN BY:	RR	PROJECT NO.:	101121/2/3/4/5/6/7
DRAWN DATE (MM/DD/YY):	06/28/23	CUSTOMER REF NO.:	-
SHEET:	5 OF 6	NEXT DWG. NO.:	101121-3000
		REV.:	0

THIS DRAWING IS THE EXCLUSIVE PROPERTY OF NEXT COMPRESSION, AND CANNOT BE REPRODUCED OR DISTRIBUTED WITHOUT THE EXPRESS WRITTEN PERMISSION OF NEXT COMPRESSION.



**PERMIT TO PRACTICE
NEXT COMPRESSION CORP.**
 RM SIGNATURE: *Joe Murray*
 RM APEGA ID #: 37293
 DATE: 2023/06/24
PERMIT NUMBER: P14344
 The Association of Professional Engineers and Geoscientists of Alberta (APEGA)



ESTIMATED WEIGHTS (LBS)		
DESCRIPTION	ATTACHMENT	WEIGHT
COMPRESSOR	MOUNTED	800
DRIVER	MOUNTED	777
PROCESS PIPING	MOUNTED	2068
SKID & PEDESTAL	MOUNTED	6883
VESSELS	MOUNTED	812
STRUCTURAL	MOUNTED	1744
BUILDING	MOUNTED	3500
COOLER	MOUNTED	4200
MSC	MOUNTED	426
TOTAL SHIPPING WEIGHT (APPROX.)		20950
TOTAL WEIGHT OF ALL EQUIPMENT (APPROX.)		20950

NOTES (UNLESS OTHERWISE SPECIFIED IN THE DRAWING):
 1. SEE SHEET 1 FOR GENERAL NOTES.
 2. CENTER OF GRAVITY DIMENSIONS DENOTED BY

REVISIONS				
REV	DESCRIPTION	DATE	BY	APPR
0	ISSUED FOR CONSTRUCTION	06/30/23	RR	NP



TITLE: GENERAL ARRANGEMENT - SHIPPING INFORMATION			
PROJECT:	CNRL LTD		
	VRU, ROFLO 60HP ELECTRIC SMITH, AB TBA		
DRAWN BY:	RR	PROJECT NO.:	101121/2/3/4/5/6/7
DRAWN DATE (MM/DD/YYYY):	06/28/23	CUSTOMER REF NO.:	-
SHEET:	6 OF 6	NEXT DWG. NO.:	101121-3000
		REV.:	0