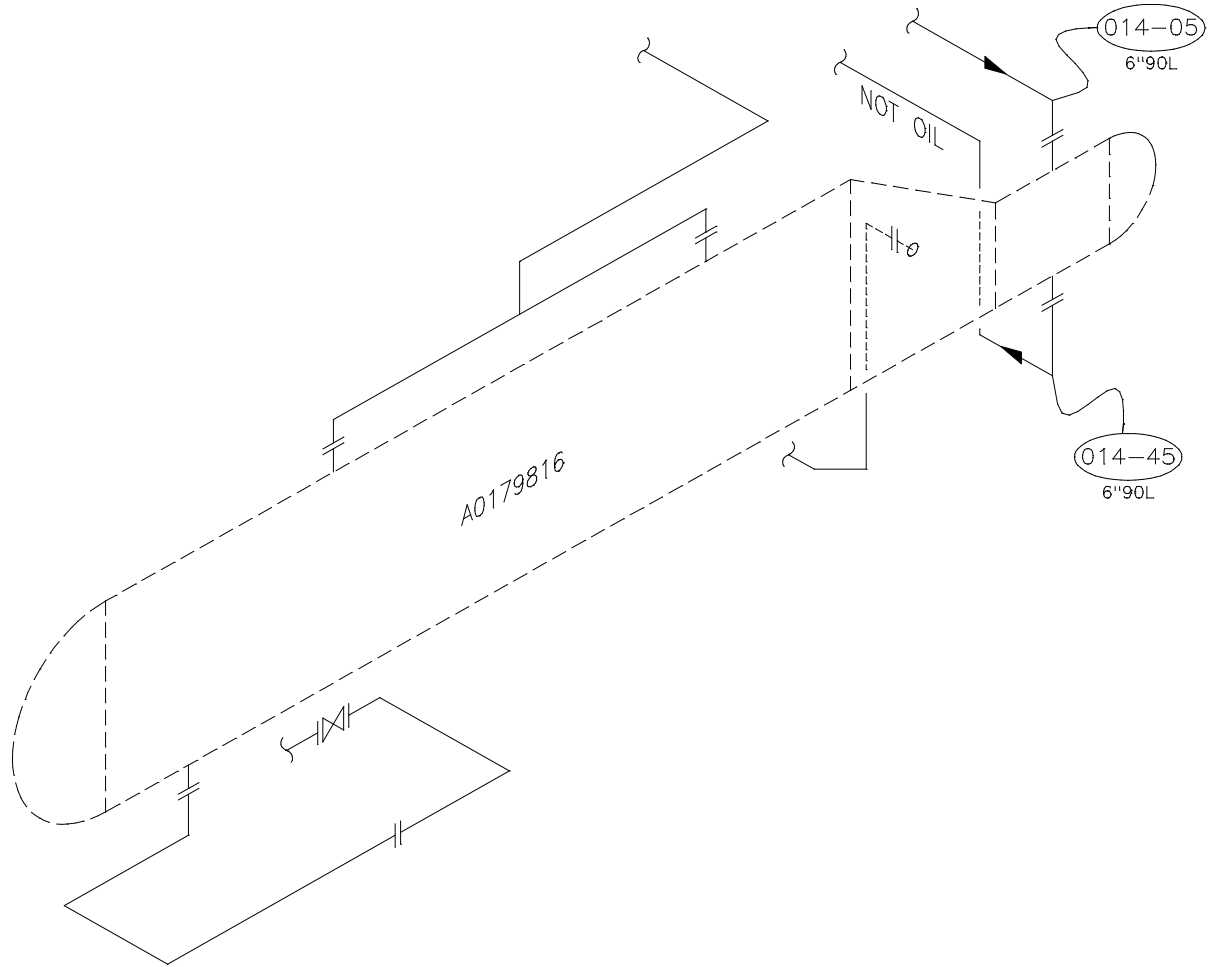


P&ID # _____
REF. # _____



PIPING DATA

THICKNESS MEASUREMENT LOCATION:	SIZE	PROC.	LINE #	SPEC.	SCH.	NOM.THK.	ASTM * CORR. ALLW. ** CALCULATED CORR. ALLW.	MIN.THK.	CAL.THK.	FLG. RATING
014-05/45	6"				40	7.1mm	ASTM	6.2mm		

COMMENTS: 2011/02 - OUT OF SERVICE

APACHE CORPORATION
CHINCHAGA GAS PLANT #2
LSD 01-24-096-05W6M

DE-ETHANIZER REBOILER PIPING

TECH.: M.M.	REV.DATE: 2011/02	DWG.DATE: 2002/12
CAD: A.L.	REVISION: 2	DRAWING: 014A