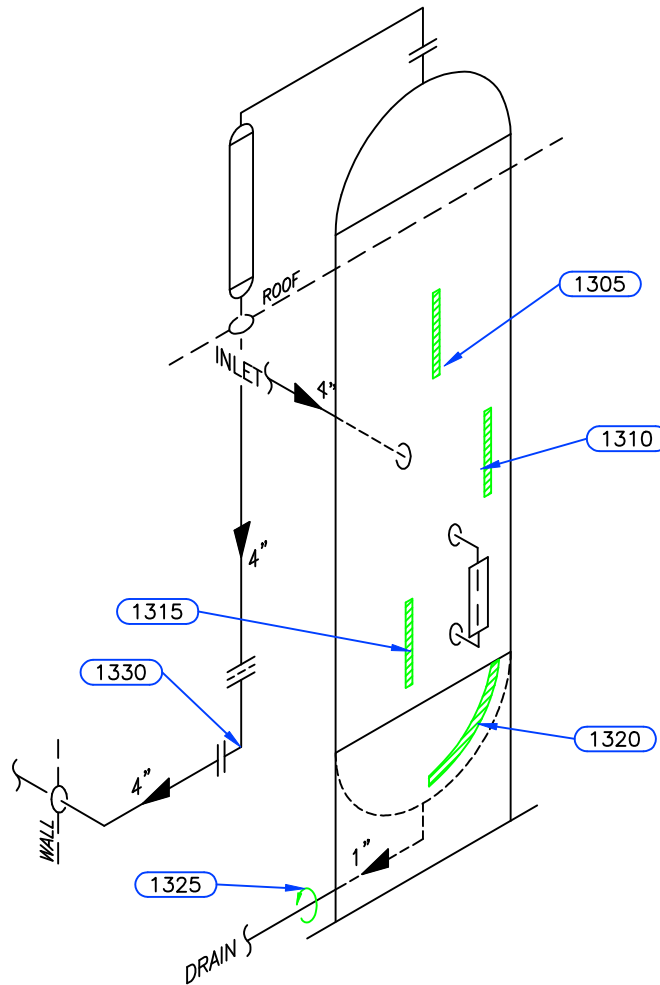


PSV DATA

MFG: MERCER
 MODEL: 8133251T25G21
 SERIAL: 69597
 SET PRES: 6895 kPa
 CAPACITY: 8037 scfm
 SERVICED BY: UVL
 SERVICE DATE: N/S
 SIZE: 1.5"x2"
 CODE STAMP:UV
 BLOCK VALVE:NO
 CRN: 0G2606.5C



Equip. No. _____ Prov. Reg. No. **Ⓐ 462522** C.R.N. **P-0622.21** Serial No. **01441-108** Yr. Inst. _____
 Code/Div. **ASME VIII, Div1** Size: **24in x 26ft** Manufacturer: **PROPAK SYSTEM** Yr. Blt. **2001**
 C. Stamp: **U** Service: **SOUR** PWHT: **HT** Radiography: **RT2** Insulated: **NO**

Design & Materials Data

HEAD:
 Top Mat'l. **SA 516 70N** Top Nom. **23.8mm** Top C.A. _____
 Btm. Mat'l. _____ Btm. Nom. _____ Btm. C.A. _____
CHANNEL:
 Material: _____ Nominal: _____ C.A. _____
BOOT
 Head Mat'l. _____ Head Nom. _____ Head C.A. _____
 Shell Mat'l. _____ Shell Nom. _____ Shell C.A. _____
SHELL
 Material: **SA 516 70N** Nominal: **25.4mm** C.A. _____
 MAWP Shell Side: **10204 kPa** @ Temp. **38°C**
 MAWP Tube Side: _____ @ Temp. _____

CLIENT	CANADIAN NATURAL RESOURCES	
FACILITY	RIGEL COMPRESSOR STATION LSD d-75-A/94-A-15	
ITEM	GLYCOL CONTACTOR	
BY: DK/NR	DATE: 2011/08	DWG.# 13

UTS DATA

CLIENT: CANADIAN NATURAL RESOURCES
EQUIPMENT: GLYCOL CONTACTOR
CRN#: P-0622.21
PROV REG: A 462522
TESTED ON STREAM

FACILITY: RIGEL COMPRESSOR STATION
SERVICE: SOUR
LOCATION: d-75-A/94-A-15
RTD JOB #: 10.110421
REFER TO DRAWING: 13

Test Point	THICKNESS DATA	Flag	T-Min	C.A.	Nom.	Short Term	Long Term	Ave. mm/py	Retirement Date
<hr/>									
1305									
Description:	UPPER SHELL								
	2011 8								
Min. Thick.	26.6		25.40		25.40				
Average:	26.7					0	0		
Analysis:									
<hr/>									
1310									
Description:	MID SHELL								
	2011 8								
Min. Thick.	26.6		25.40		25.40				
Average:	26.7					0	0		
Analysis:									
<hr/>									
1315									
Description:	LOWER SHELL								
	2011 8								
Min. Thick.	26.3		25.40		25.40				
Average:	26.4					0	0		
Analysis:									
<hr/>									
1320									
Description:	BOTTOM HEAD								
	2011 8								
Min. Thick.	28.6		23.80		23.80				
Average:	29.1					0	0		
Analysis:	2011/08 MIN SCAN @ NOZZLE								
<hr/>									
<hr/>									

