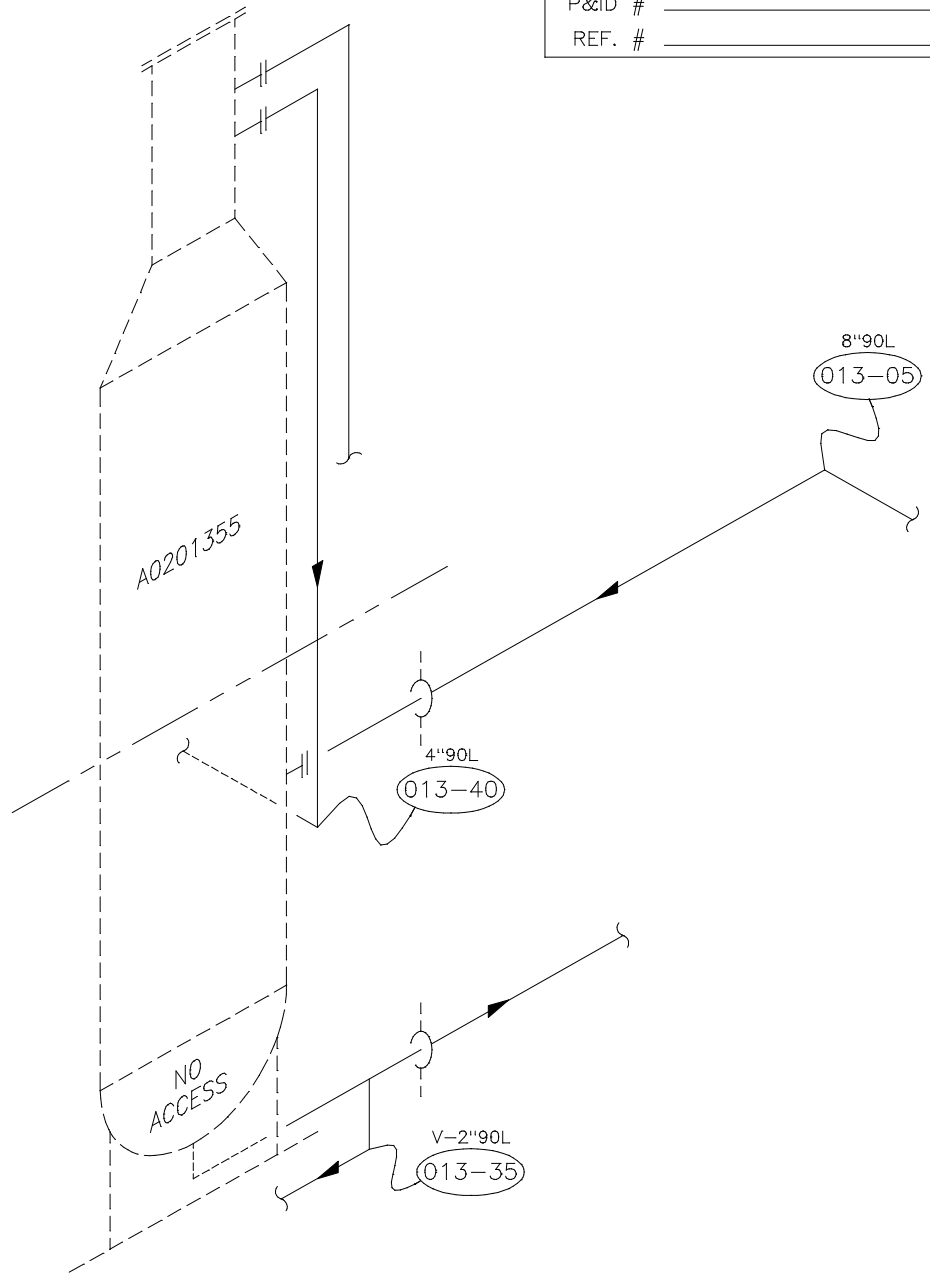
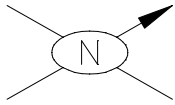


P&ID # _____
REF. # _____



PIPING DATA

THICKNESS MEASUREMENT LOCATION:	SIZE	PROC.	LINE #	SPEC.	SCH.	NOM.THK.	ASTM * CORR. ALLW. ** CALCULATED CORR. ALLW.	MIN.THK.	CAL.THK.	FLG. RATING
013-05	8"				40	8.2mm	ASTM	7.2mm		
013-35	2"				40	3.9mm	1.6mm	2.3mm		
013-40	4"				40	6.0mm	ASTM	5.3mm		

COMMENTS: 2011/02 - OUT OF SERVICE

APACHE CORPORATION
CHINCHAGA GAS PLANT #2
LSD 01-24-096-05W6M

DE-ETHANIZER TOWER PIPING

TECH.: M.M.	REV.DATE: 2011/02	DWG.DATE: 2002/12
CAD: A.L.	REVISION: 2	DRAWING: 013A