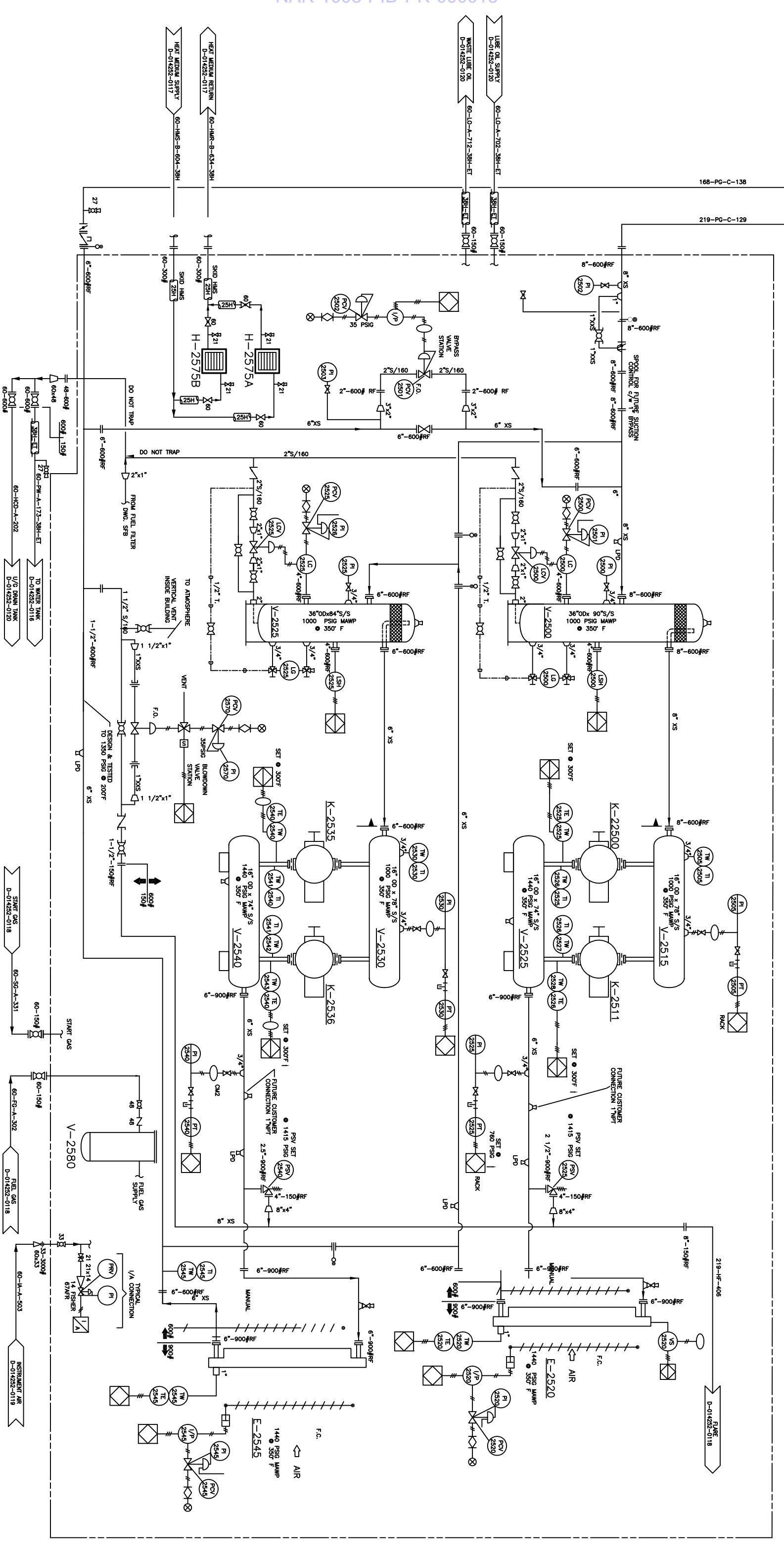


SALES GAS  
D-014252-0112  
PROCESS GAS  
D-014252-0112

273-PG-C-140  
324-PG-C-128  
D-014252-0113  
PROCESS GAS  
D-014252-0113



- V-200 /V-2525 SUCTION SCRUBBER  
914mm O.D. x 2430mm S/S  
DWT: 888 lbs @ 177.5
- V-2505 /V-2530 SUCTION BOTTLE  
408mm O.D. x 1860mm S/S  
DWT: 888 lbs @ 177.5
- K-25410 /K-2511 /K-2534 /K-2536 COMPRESSOR ARIEL JGK/4  
DRIVER WALKER 1704451  
Cylinders 6.25" x 14.125" 60 WMP
- E-2520 AFTER COOLER  
AMERCOOL-188 VF
- V-2515 /V-2540 DISCHARGE BOTTLE  
408mm O.D. x 1860mm S/S  
DWT: 888 lbs @ 177.5

REV	DATE	BY	CHK'D	APP'D	OWNR
1	01-06-03	AP			
2	01-07-30	AP			
3	01-10-15	AP			
4	01-03-12	AP			

**ENGINEER AND PERMIT STAMPS**

DESIGNED: MILFORD 01-05-07  
 CHECKED: MILFORD  
 PROCESS CK: MILFORD  
 MECH. CK: MILFORD  
 STRUCT. CK: MILFORD  
 ELECT. CK: MILFORD  
 OWNER APP: MILFORD

**PERMITS**

PERMIT TO PRACTICE  
 WILFORD ENGINEERING LTD.  
 Signature: \_\_\_\_\_  
 Date: \_\_\_\_\_  
 PERMIT NUMBER: P-6694  
 The Association of Professional Engineers, Technicians and Surveyors of Alberta

**REVISIONS**

AS BUILT  
 ISSUED FOR CONSTRUCTION  
 ISSUED FOR APPROVAL  
 RE-ISSUED FOR REVIEW  
 ISSUED FOR REVIEW

**ENGINEER AND PERMIT STAMPS**

DESIGNED: MILFORD 01-05-07  
 CHECKED: MILFORD  
 PROCESS CK: MILFORD  
 MECH. CK: MILFORD  
 STRUCT. CK: MILFORD  
 ELECT. CK: MILFORD  
 OWNER APP: MILFORD

**DEVON CANADA CORPORATION**  
 NARRAWAY  
 GAS PLANT  
 P&ID - COMPRESSOR #2  
 LSD. 10-08-62-10W6M  
 DWG. NO. D-014252-0113.DWG