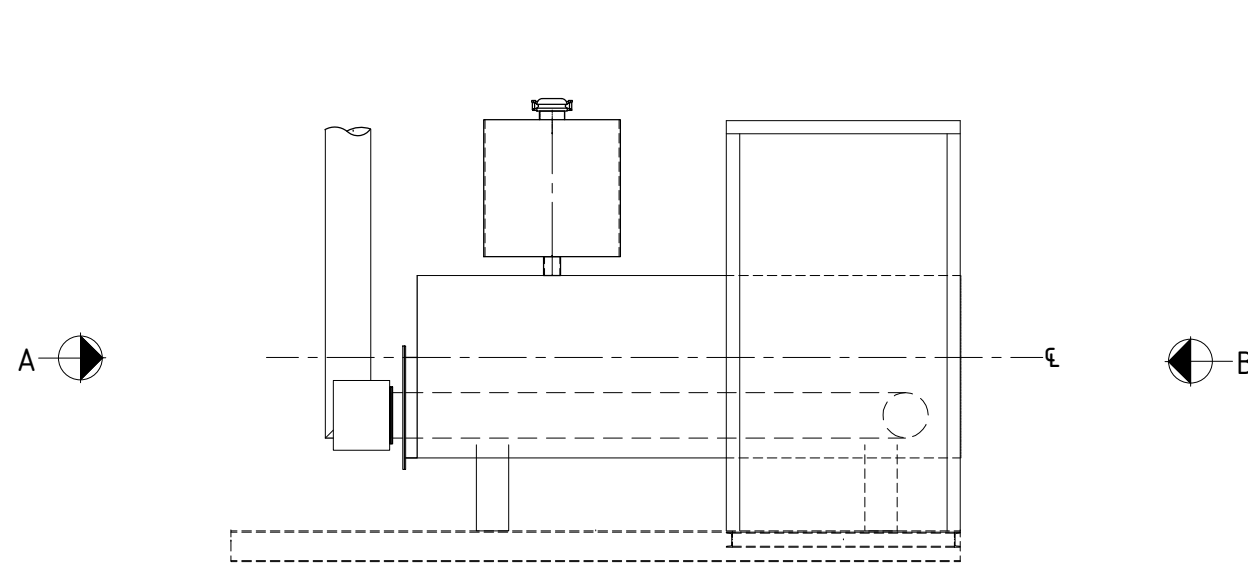
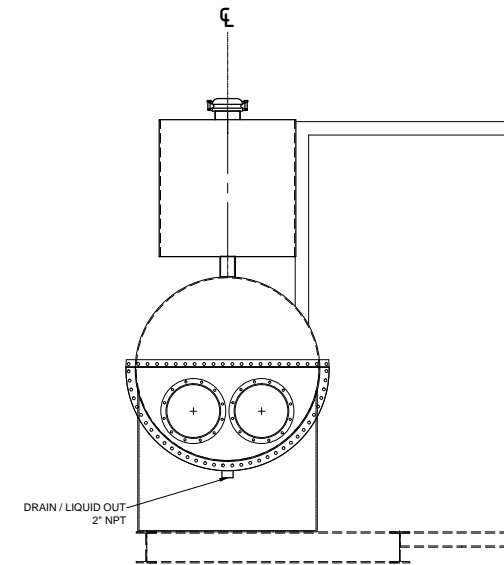


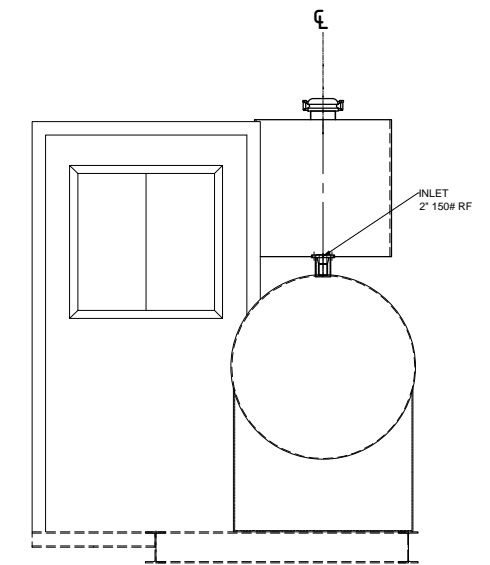
THIS DRAWING IS THE PROPERTY OF ASPIRE ENERGY RESOURCES LTD. IT MAY NOT BE REPRODUCED WITHOUT THE PERMISSION OF ASPIRE ENERGY RESOURCES LTD.



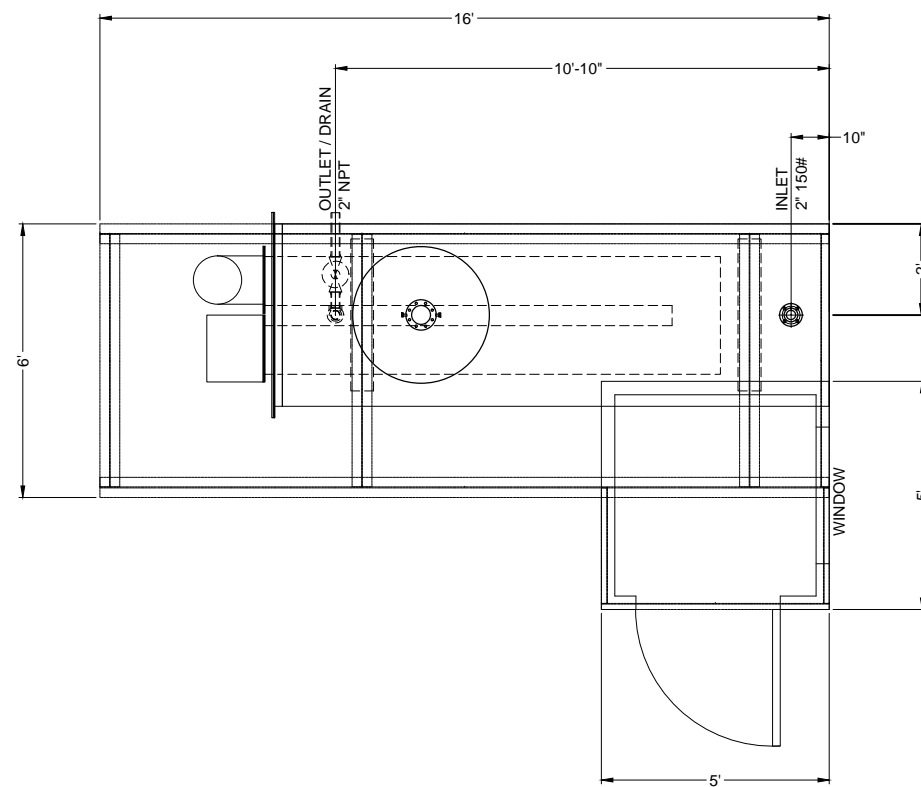
SIDE ELEVATION VIEW



VIEW A



VIEW B



TOP VIEW

JOB NO. 4505

NO.	DATE	REVISION	BY	APP
0	14-11-03	ISSUED FOR APPROVAL	SB	WS

ASPIRE ENERGY RESOURCES LTD.
 53 BURNT LAKE CRESCENT
 RED DEER, AB T4S 0K6
 TELEPHONE: (403) 314-5422 FAX: (403) 314-1823

CLIENT:		HEATER PACKAGE GENERAL ARRANGEMENT DWG. 48" OD X 12' L	
DATE:	14-12-12		
BDD NO.:			
CUST. NO.:			
SCALE:	NTS		
DRAWN BY:	SB		
CHECKED BY:	WS	DWG NO.:	
APP BY:		4505-02	REV.:
			0