

BILL OF MATERIAL

ITEM	QTY.	DESCRIPTION
1	1	SPOOL NO. 1 - SEE DRAWING 32078-SPOOLS
2	1	SPOOL NO. 2 - SEE DRAWING 32078-SPOOLS
3	1	SPOOL NO. 3 - SEE DRAWING 32078-SPOOLS
4	1	SPOOL NO. 4 - SEE DRAWING 32078-SPOOLS
5	1	SPOOL NO. 5 - SEE DRAWING 32078-SPOOLS
6	1	SPOOL NO. 6 - SEE DRAWING 32078-SPOOLS
7	1	SPOOL NO. 7 - SEE DRAWING 32078-SPOOLS
8	1	SPOOL NO. 8 - SEE DRAWING 32078-SPOOLS
9	1	SPOOL NO. 9 - SEE DRAWING 32078-SPOOLS
10	1	SPOOL NO. 10 - SEE DRAWING 32078-SPOOLS
11	1	SPOOL NO. 11 - SEE DRAWING 32078-SPOOLS
12	1	SPOOL NO. 12 - SEE DRAWING 32078-SPOOLS
13	1	SPOOL NO. 13 - SEE DRAWING 32078-SPOOLS
14	1	SPOOL NO. 14 - SEE DRAWING 32078-SPOOLS
15	2	RFHB, 4" 600 ANSI TAPPED 2", SAI05N
16	5	RFHB, 2" 600 ANSI TAPPED 3/4", SAI05N
17	1	RFHB, 2" 600 ANSI TAPPED 1/2", SAI05N
18	4	RFB, 6" 600 ANSI TAPPED 1/2", SAI05N
19	1	RFB, 4" 600 ANSI, SAI05N
20	1	RFB, 3" 600 ANSI, SAI05N
21	9	3/16 SPIRALWLD GSKT, 6" 600 ANSI, NON-ASB
22	5	3/16 SPIRALWLD GSKT, 4" 600 ANSI, NON-ASB
23	13	3/16 SPIRALWLD GSKT, 3" 3-600 ANSI, NON-ASB
24	1	3/16 SPIRALWLD GSKT, 3" 150 ANSI, NON-ASB
25	27	3/16 SPIRALWLD GSKT, 2" 3-600 ANSI, NON-ASB
26	108	B7M STUD, 1" X 6 1/2", SAI93-B7M
27	24	B7M STUD, 7/8" X 5 1/2", SAI93-B7M
28	8	B7M STUD, 7/8" X 13 1/4", SAI93-B7M
29	88	B7M STUD, 3/4" X 4 3/4", SAI93-B7M
30	8	B7M STUD, 3/4" X 11 1/2", SAI93-B7M
31	4	B7M STUD, 5/8" X 3 1/2", SAI93-B7M
32	208	B7M STUD, 5/8" X 4", SAI93-B7M
33	8	B7M STUD, 5/8" X 4 3/4", SAI93-B7M
34	216	2HM HEX NUT, 1", SAI94-2HM
35	64	2HM HEX NUT, 7/8", SAI94-2HM
36	192	2HM HEX NUT, 3/4", SAI94-2HM
37	440	2HM HEX NUT, 5/8", SAI94-2HM

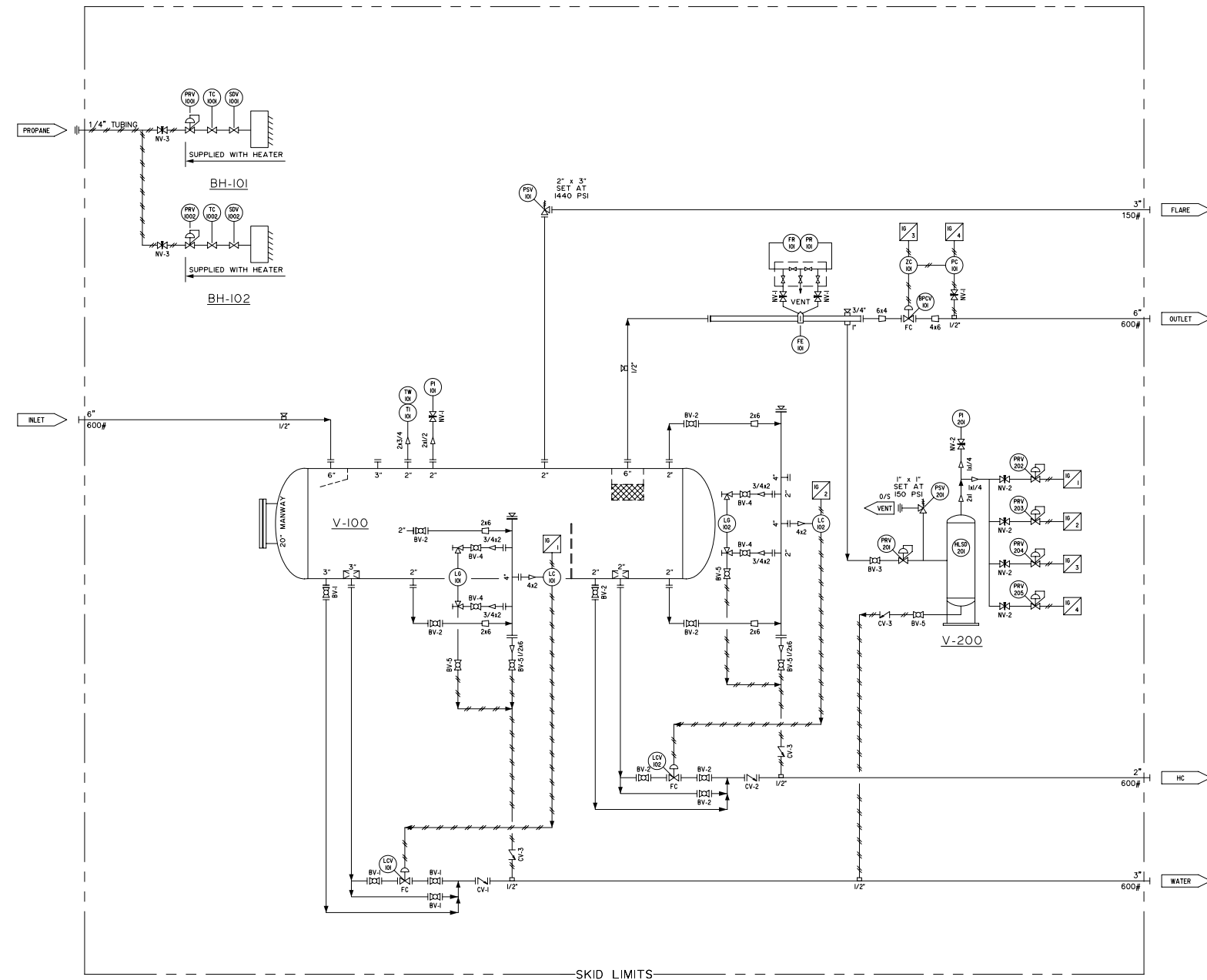
NOTES:

ALL STUD LENGTHS GIVEN ARE THREAD TO THREAD
 SHIPPING DIMENSIONS 11'-0" WIDE X 21'-0" LONG X 12'-4" HIGH
 PACKAGE WEIGHT APPROX 48,000 LBS

ALL THREADED 600 ANSI PIPING TO BE SCH. 160
 ALL 600 ANSI THREADED FITTINGS TO BE 3000 PSI
 ALL THREADED 150 ANSI PIPING TO BE SCH. 80
 ALL 150 ANSI/UTILITY THREADED FITTINGS 1" OR GREATER TO BE 3000 PSI
 ALL 150 ANSI/UTILITY THREADED FITTINGS 3/4" OR LESS TO BE 2000 PSI

REV. No.	MM	DD	YY	DATE	DESCRIPTION	BY	CHK'D	APP'D
3	12	27	05		AS BUILT	WJH	LW	
2	11	15	05		ISSUED FOR CONSTRUCTION	LW	LW	LW
1	11	02	05		RE-ISSUED FOR APPROVAL	LW	LW	LW
0	10	20	05		ISSUED FOR APPROVAL	LW	LW	LW

CLIENT		 Box 404, 925-23rd Street S.W. Medicine Hat Alberta, Canada, T1A 7G2 (403) 526-3142
ENDALEO ENERGY CORPORATION		
PROJECT		
(2) - 48"OD X 16'-0" X 1440 PSI SOUR HORIZONTAL SEPARATOR PACKAGES		
TITLE		
LAYOUT		
Wd No.: 32078 DRAWN BY: L. WAECHTER DATE: MM/DD/YY 10/20/05	REV. No.: 3 SCALE: 1/2" = 1'-0"	DATE: MM/DD/YY 12/27/05 CAD No.: 32078-LAYOUT



INSTRUMENTS

TAG No.	DESCRIPTION
BH-101/102	CCI WX 24X36 (H2436) PROPANE IZV, VENT HOOD (AC-CHASSY-24)
.	GRILL (AC-GRILL-2436), TEMP CTRL 24X36 (AC-TC-9000PI)
.	LP REGULATOR (AC-R-9I2), PROPANE HOSE (IN-P-H-3/8X10)
V-100	48"OD X 16'-0" X 1440 PSI HORIZONTAL SEPARATOR
V-200	FUEL GAS SCRUBBER, 8" X 24" X 375 PSI, SOUR
BPCV/ZC 101	FISHER I05I-V100, 4" 600 ANSI, REF FC, NACE, SIZE 40 ACTUATOR,
.	LEFT HAND MOUNTING, POSITION I
.	ACCORD POS, 6-30 PSI, SST
FE 101	NORTH STAR DUAL CHAMBER RUN, 6" 600 ANSI, NACE, F0E, SCH. 80, AGA 3C,
.	VANES, #17" OAL, 1-1" Ø 1-3/4" TOLS
FR/TR 101	BARTON 202N 2 PEN, NACE P.B., 0-1500 PSI STATIC, 0-100 WC
.	HYPRO SS-VM5V-TV-6N 5V MANIFOLD, 316SS
HLSD 201	ARINAH FUEL GAS SHUTOFF - FS2X12SS-02
LC 101/102	FISHER L2, SNP, D.ACT, 3-15 PSI, PVC DT, SS PI
LCV 101	FISHER I05I-V100, 3" 600 ANSI, REF FC, NACE, SIZE 40 ACTUATOR,
.	LEFT HAND MOUNTING, POSITION I
LCV 102	NORRIS 2220, 2" 600 ANSI FC SOUR, 1" TRIM
LG 101/102	QUALITY Q15R20 LEVEL GAUGE C/W GAUGE COCKS, Q146, 3/4", NACE
PC 101	CVS 4150, 0-1500 PSI RG, SST, 30-6 PSI, DA
PI 101	BOURDON HAENNI, 4", 2000 PSI, SS, BTM, 1/2", LF
PI 201	BOURDON HAENNI, 2.5", 200 PSI, SS, BTM, 1/4", LF
PRV 201	FISHER 627, 1"WCC B0Y/SST TRM, NYLN DK, NACE, 1/8" ORIFICE, 70-150 PSI RANGE
PRV 202-205	FISHER 67CFR, 1/4", 0-35 PSI, NACE
PSV 101	FARRIS 26HA13-120, 2" 600 ANSI X 3" 150 ANSI, NACE, SET AT 1440 PSI
PSV 201	FARRIS 27DA33-M20, 1" X 1" F NPT, NACE, SET AT 150 PSI
TI/TW 101	TELTRU UT300 TI, 3" F X 6" ST, 0/250F C/W 316SS TOW, 3/4" X 1/2" X 6"

VALVES

ITEM	QTY.	DESCRIPTION
BV-1	4	NUTRON BV, 3" 600 ANSI RF RP, T3-R30R06S, NACE C/W HANDLE
BV-2	8	NUTRON BV, 2" 600 ANSI RF RP, T3-R20R06S, NACE C/W HANDLE
BV-3	1	NUTRON BV, 1" NPT 3M RP, T3-R10S30S, NACE
BV-4	4	NUTRON BV, 3/4" NPT 3M RP, T3-R07S30S, NACE
BV-5	5	NUTRON BV, 1/2" NPT 3M RP, T3-R05S30S, NACE
CV-1	1	WHEATLEY 910 CHECK VALVE, 3" 600 ANSI RF, NACE
CV-2	1	WHEATLEY 910 CHECK VALVE, 2" 600 ANSI RF, NACE
CV-3	3	WHEATLEY 820 CHK VLV, 1/2"NPT, 2250 PSI, NACE
NV-1	4	CENT CM2M44TDNT NV, 1/2"MXF, 316SS
NV-2	5	CENT CM2M22TDNT NV, 1/4"MXF, 316SS
NV-3	2	CENT CM23M22TBV NV, 1/4" MXF, A108

NOTES:
 ALL TUBING TO BE 316SS
 PROCESS/SENSING: 1/2" X 0.049" W.T. 316SS SMLS TUBING
 INSTRUMENT LINES: 3/8" X 0.035" W.T. 316SS SMLS TUBING
 ALL TUBE FITTINGS TO BE SWAGelok SS
 ALL INSTRUMENTS TO BE VENTED OUTSIDE OF BUILDING
 ALL LP REGULATORS ON BUILDING HEATERS TO BE VENTED OUTSIDE

REV. No.	MM	DD	YY	DATE	DESCRIPTION	BY	CHK'D	APP'D
3	12	27	05		AS BUILT	WJH	LW	
2	11	15	05		ISSUED FOR CONSTRUCTION	LW	LW	LW
1	11	02	05		RE-ISSUED FOR APPROVAL	LW	LW	LW
0	10	20	05		ISSUED FOR APPROVAL	LW	LW	LW

CLIENT	ENDALEO ENERGY CORPORATION		
PROJECT	(2) - 48"OD X 16'-0" X 1440 PSI SOUR HORIZONTAL SEPARATOR PACKAGES		
TITLE	P&ID		
Wd No.:	32078	REV. No.:	3
DRAWN BY:	L. WAECHTER	DATE: MM/DD/YY	12/27/05
DATE: MM/DD/YY	10/20/05	SCALE:	N.T.S.
		CAD No.:	32078-P&ID