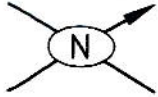
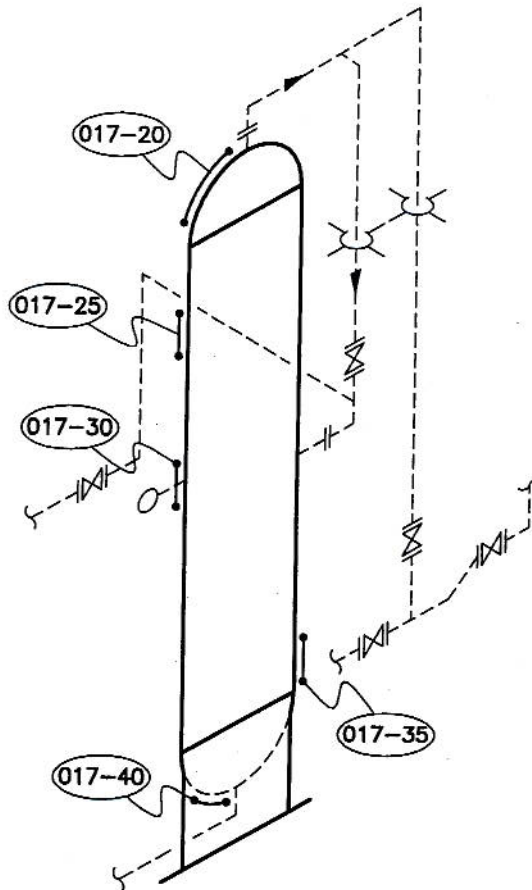


# AITEC (WESTERN) INC.



P&ID. # \_\_\_\_\_  
REF. # \_\_\_\_\_



### VESSEL DATA

P.E. No. VS-4 Serial No. VS-6713 Prov. Reg. No. A2827038 C.R.N. K8258.2  
MFR. LARSON & D'AMICO Code/Div. N/S Para N/S Code Stamp WRT3  
Yr. Bld. 1992 Yr. Inst. \_\_\_\_\_ Size 24"OD Service SOUR GAS PWHT N/S  
RT N/S Insulated NO

### Nominal Thickness & Material

Head: 11.1mm Mat'l: SA-516-70 C.A.: NIL  
Head: \_\_\_\_\_  
Shell: 12.7mm N/S NIL  
Shell: \_\_\_\_\_  
Chan Hd: \_\_\_\_\_  
Chan Sh: \_\_\_\_\_  
Boot Hd: \_\_\_\_\_  
Boot Sh: \_\_\_\_\_

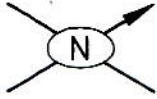
Repairs \_\_\_\_\_  
Reason \_\_\_\_\_  
Reason \_\_\_\_\_

DEVON CANADA CORPORATION  
MARION LAKE FIELD  
LSD 08-36-037-18W4M

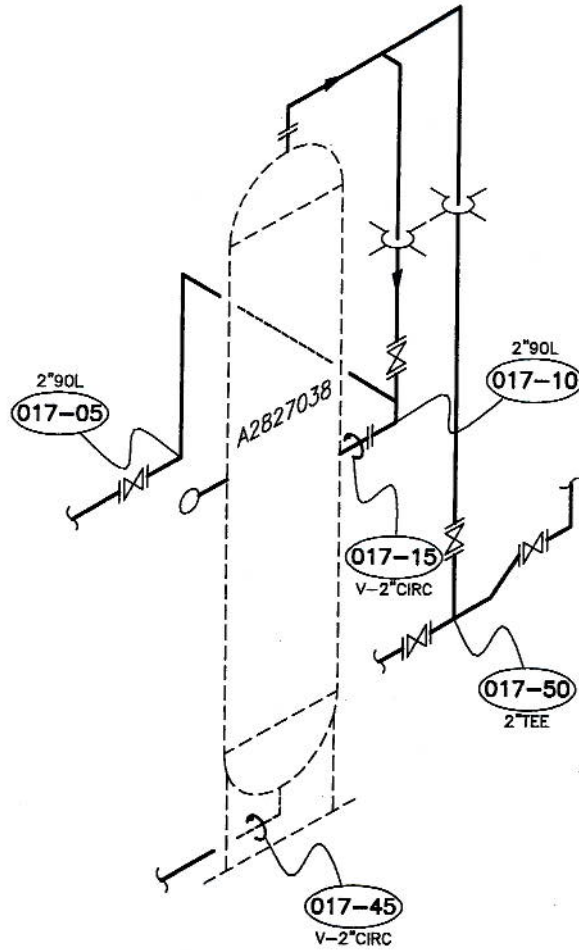
MAWP Shell Side 3450KPA @ Temp. 38°C  
MAWP Tube Side \_\_\_\_\_ @ Temp. \_\_\_\_\_  
COMMENTS: MDMT -28°C @ 3450KPA

### 2 PHASE VERTICAL SEPARATOR

|                    |                  |                          |
|--------------------|------------------|--------------------------|
| TECH.: <u>R.G.</u> | REV. DATE: _____ | DWG DATE: <u>2003/12</u> |
| CAD: <u>K.D.</u>   | REVISION: _____  | DRAWING: <u>017</u>      |



P&ID # \_\_\_\_\_  
REF. # \_\_\_\_\_



**PIPING DATA**

| THICKNESS MEASUREMENT LOCATION: | SIZE | PROC. | LINE # | SPEC. | SCH. | NOM.THK. | ASTM<br>* CORR. ALLW.<br>** CALCULATED CORR. ALLW. | MIN.THK. | CAL.THK. | FLG. RATING |
|---------------------------------|------|-------|--------|-------|------|----------|--|----------|----------|-------------|
| 017-05/10/50                    | 2"   |       |        |       | 40   | 3.9mm    | ASTM   | 3.4mm    |          |             |
| 017-15/45                       | 2"   |       |        |       | 80   | 5.5mm    | ASTM   | 4.8mm    |          |             |
|                                 |      |       |        |       |      |          |  |          |          |             |
|                                 |      |       |        |       |      |          |  |          |          |             |
|                                 |      |       |        |       |      |          |  |          |          |             |

COMMENTS: \_\_\_\_\_  
\_\_\_\_\_  
\_\_\_\_\_  
\_\_\_\_\_

DEVON CANADA CORPORATION  
MARION LAKE FIELD  
LSD 08-36-037-18W4M

**2 PHASE VERTICAL SEPARATOR PIPING**

|             |           |                   |
|-------------|-----------|-------------------|
| TECH.: R.G. | REV.DATE: | DWG.DATE: 2003/12 |
| CAD: K.D.   | REVISION: | DRAWING: 017A     |

DEVON CANADA CORPORATION  
 MARION LAKE FIELD - (164)  
 AREA #1 - (01)

**AITEC (WESTERN) INC.**

|  |                      |
|--|----------------------|
| Item Desc.: 2ND PHASE VERTICAL SEPARATOR | Lsd: 08-36-037-18W4M |
| Prov. Reg.: A2827038                     | Equip. No.: VS-4     |
|  | Ser. No.: V5-6713    |

Description: 2"90L B-T

**TML: 017-05**

|                |             |                    |   |
|----------------|-------------|--------------------|---|
| Nominal: 3.900 | C.A. as per | C.A. L.F.L.: 0.488 | Con't Service: YES<br>Insp. Intv. 12<br>Add'l Assm't: YES |
| t Min.: --     | ASTM        | L.F.L.: 3.412      |   |
| C.A. Calc.: -- |             | Mths.To L.F.L.:    |   |

Survey Dates: 2003-12

|               |   |       |       |
|---------------|---|-------|-------|
| Data Readings | 1 | 4.100 | _____ |
|               | 2 | 4.500 | _____ |
|               | 3 | 4.700 | _____ |
|               | 4 | 4.500 | _____ |
|               | 5 | 4.600 | _____ |
|               | 6 | 4.500 | _____ |

Data Evaluation

|                               |   |       |
|-------------------------------|---|-------|
| Lowest Reading                | : | 4.100 |
| Average - Low 3               | : | 4.367 |
| Thk.Rem. Above LFL            | : | 0.688 |
| Indv. Short Term Rate (mm/yr) | : |       |
| Short Term Rate (mm/yr)       | : |       |
| LongTerm Rate (mm/yr)         | : |       |

Description: 2"90L T-B

**TML: 017-10\***

|                |             |                    |   |
|----------------|-------------|--------------------|---|
| Nominal: 3.900 | C.A. as per | C.A. L.F.L.: 0.488 | Con't Service: YES<br>Insp. Intv. 12<br>Add'l Assm't: YES |
| t Min.: --     | ASTM        | L.F.L.: 3.412      |   |
| C.A. Calc.: -- |             | Mths.To L.F.L.:    |   |

Survey Dates: 2003-12

|               |   |       |       |
|---------------|---|-------|-------|
| Data Readings | 1 | 4.200 | _____ |
|               | 2 | 3.800 | _____ |
|               | 3 | 3.800 | _____ |
|               | 4 | 3.900 | _____ |
|               | 5 | 3.700 | _____ |

Data Evaluation

|                               |   |               |
|-------------------------------|---|---------------|
| Lowest Reading                | : | 3.700         |
| Average - Low 3               | : | 3.767         |
| Thk.Rem. Above LFL            | : | <b>*0.288</b> |
| Indv. Short Term Rate (mm/yr) | : |               |
| Short Term Rate (mm/yr)       | : |               |
| LongTerm Rate (mm/yr)         | : |               |

DEVON CANADA CORPORATION  
 MARION LAKE FIELD - (164)  
 AREA #1 - (01)

**AITEC (WESTERN) INC.**

|  |                      |
|--|----------------------|
| Item Desc.: 2ND PHASE VERTICAL SEPARATOR | Lsd: 08-36-037-18W4M |
| Prov. Reg.: A2827038                     | Equip. No.: VS-4     |
|  | Ser. No.: V5-6713    |

Description: VESSEL 2" CIRC T-W

**TML: 017-15**

|             |       |             |                 |       |   |
|-------------|-------|-------------|-----------------|-------|---|
| Nominal:    | 5.500 | C.A. as per | C.A. L.F.L.:    | 0.688 | Con't Service: YES<br>Insp. Intv. 12<br>Add'l Assm't: YES |
| t Min.:     | --    | ASTM        | L.F.L.:         | 4.812 |   |
| C.A. Calc.: | --    |             | Mths.To L.F.L.: |       |   |

Survey Dates: 2003-12

|               |   |       |       |
|---------------|---|-------|-------|
| Data Readings | 1 | 6.100 | _____ |
|               | 2 | 6.200 | _____ |
|               | 3 | 5.900 | _____ |
|               | 4 | 6.000 | _____ |
|               | 5 | 6.100 | _____ |
|               | 6 | 6.000 | _____ |

Data Evaluation

|                               |   |       |
|-------------------------------|---|-------|
| Lowest Reading                | : | 5.900 |
| Average - Low 3               | : | 5.967 |
| Thk.Rem. Above LFL            | : | 1.088 |
| Indv. Short Term Rate (mm/yr) | : |       |
| Short Term Rate (mm/yr)       | : |       |
| LongTerm Rate (mm/yr)         | : |       |

Description: TOP HEAD T-B

**TML: 017-20**

|             |        |             |                 |        |   |
|-------------|--------|-------------|-----------------|--------|---|
| Nominal:    | 11.100 | C.A. as per | C.A. L.F.L.:    | 0.000  | Con't Service: YES<br>Insp. Intv. 12<br>Add'l Assm't: YES |
| t Min.:     | 11.100 | Design      | L.F.L.:         | 11.100 |   |
| C.A. Calc.: | 0.000  |             | Mths.To L.F.L.: |        |   |

Survey Dates: 2003-12

|               |   |        |       |
|---------------|---|--------|-------|
| Data Readings | 1 | 12.300 | _____ |
|               | 2 | 12.500 | _____ |
|               | 3 | 12.400 | _____ |
|               | 4 | 12.300 | _____ |
|               | 5 | 12.400 | _____ |
|               | 6 | 12.200 | _____ |

Data Evaluation

|                               |   |        |
|-------------------------------|---|--------|
| Lowest Reading                | : | 12.200 |
| Average - Low 3               | : | 12.267 |
| Thk.Rem. Above LFL            | : | 1.100  |
| Indv. Short Term Rate (mm/yr) | : |        |
| Short Term Rate (mm/yr)       | : |        |
| LongTerm Rate (mm/yr)         | : |        |

DEVON CANADA CORPORATION  
 MARION LAKE FIELD - (164)  
 AREA #1 - (01)

**AITEC (WESTERN) INC.**

|  |                      |
|--|----------------------|
| Item Desc.: 2ND PHASE VERTICAL SEPARATOR | Lsd: 08-36-037-18W4M |
| Prov. Reg.: A2827038                     | Ser. No.: V5-6713    |
| Equip. No.: VS-4                         |                      |

Description: UPPER SHELL T-B

**TML: 017-25**

|                   |                    |                    |   |
|-------------------|--------------------|--------------------|---|
| Nominal: 12.700   | <u>C.A. as per</u> | C.A. L.F.L.: 0.000 | Con't Service: YES<br>Insp. Intv. 12<br>Add'l Assm't: YES |
| t Min.: 12.700    | Design             | L.F.L.: 12.700     |   |
| C.A. Calc.: 0.000 |                    | Mths.To L.F.L.:    |   |

Survey Dates: 2003-12

|               |   |        |       |
|---------------|---|--------|-------|
| Data Readings | 1 | 12.900 | _____ |
|               | 2 | 13.000 | _____ |
|               | 3 | 13.000 | _____ |
|               | 4 | 13.000 | _____ |
|               | 5 | 13.000 | _____ |
|               | 6 | 13.000 | _____ |

Data Evaluation

|                               |   |        |
|-------------------------------|---|--------|
| Lowest Reading                | : | 12.900 |
| Average - Low 3               | : | 12.967 |
| Thk.Rem. Above LFL            | : | 0.200  |
| Indv. Short Term Rate (mm/yr) | : |        |
| Short Term Rate (mm/yr)       | : |        |
| LongTerm Rate (mm/yr)         | : |        |

Description: MID SHELL OPP I/L T-B

**TML: 017-30**

|                   |                    |                    |   |
|-------------------|--------------------|--------------------|---|
| Nominal: 12.700   | <u>C.A. as per</u> | C.A. L.F.L.: 0.000 | Con't Service: YES<br>Insp. Intv. 12<br>Add'l Assm't: YES |
| t Min.: 12.700    | Design             | L.F.L.: 12.700     |   |
| C.A. Calc.: 0.000 |                    | Mths.To L.F.L.:    |   |

Survey Dates: 2003-12

|               |   |        |       |
|---------------|---|--------|-------|
| Data Readings | 1 | 12.900 | _____ |
|               | 2 | 12.900 | _____ |
|               | 3 | 12.800 | _____ |
|               | 4 | 13.000 | _____ |
|               | 5 | 13.100 | _____ |
|               | 6 | 13.100 | _____ |

Data Evaluation

|                               |   |        |
|-------------------------------|---|--------|
| Lowest Reading                | : | 12.800 |
| Average - Low 3               | : | 12.867 |
| Thk.Rem. Above LFL            | : | 0.100  |
| Indv. Short Term Rate (mm/yr) | : |        |
| Short Term Rate (mm/yr)       | : |        |
| LongTerm Rate (mm/yr)         | : |        |

DEVON CANADA CORPORATION  
 MARION LAKE FIELD - (164)  
 AREA #1 - (01)

**AITEC (WESTERN) INC.**

|  |                      |
|--|----------------------|
| Item Desc.: 2ND PHASE VERTICAL SEPARATOR | Lsd: 08-36-037-18W4M |
| Prov. Reg.: A2827038                     | Equip. No.: VS-4     |
|  | Ser. No.: V5-6713    |

Description: BTM SHELL @ L/L T-B

**TML: 017-35**

|                   |                    |                    |                    |
|-------------------|--------------------|--------------------|--------------------|
| Nominal: 12.700   | <u>C.A. as per</u> | C.A. L.F.L.: 0.000 | Con't Service: YES |
| t Min.: 12.700    | Design             | L.F.L.: 12.700     | Insp. Intv. 12     |
| C.A. Calc.: 0.000 |                    | Mths.To L.F.L.:    | Add'l Assm't: YES  |

Survey Dates: 2003-12

|               |    |        |       |
|---------------|----|--------|-------|
| Data Readings | 1  | 13.100 | _____ |
|               | 2  | 13.000 | _____ |
|               | 3  | 13.000 | _____ |
|               | 4  | 13.000 | _____ |
|               | 5  | 13.000 | _____ |
|               | 6  | 13.000 | _____ |
|               | 7  | 13.000 | _____ |
|               | 8  | 13.000 | _____ |
|               | 9  | 13.000 | _____ |
|               | 10 | 13.000 | _____ |

Data Evaluation

|                               |   |        |
|-------------------------------|---|--------|
| Lowest Reading                | : | 13.000 |
| Average - Low 3               | : | 13.000 |
| Thk.Rem. Above LFL            | : | 0.300  |
| Indv. Short Term Rate (mm/yr) | : |        |
| Short Term Rate (mm/yr)       | : |        |
| LongTerm Rate (mm/yr)         | : |        |

DEVON CANADA CORPORATION  
 MARION LAKE FIELD - (164)  
 AREA #1 - (01)

**AITEC (WESTERN) INC.**

|  |                      |
|--|----------------------|
| Item Desc.: 2ND PHASE VERTICAL SEPARATOR | Lsd: 08-36-037-18W4M |
| Prov. Reg.: A2827038                     | Equip. No.: VS-4     |
|  | Ser. No.: V5-6713    |

Description: BTM HEAD T-B

**TML: 017-40**

|                   |             |                    |   |
|-------------------|-------------|--------------------|---|
| Nominal: 11.100   | C.A. as per | C.A. L.F.L.: 0.000 | Con't Service: YES<br>Insp. Intv. 12<br>Addtl Assm't: YES |
| t Min.: 11.100    | Design      | L.F.L.: 11.100     |   |
| C.A. Calc.: 0.000 |             | Mths.To L.F.L.:    |   |

Survey Dates: 2003-12

|               |   |        |       |
|---------------|---|--------|-------|
| Data Readings | 1 | 12.900 | _____ |
|               | 2 | 12.900 | _____ |
|               | 3 | 12.900 | _____ |
|               | 4 | 13.000 | _____ |
|               | 5 | 13.100 | _____ |
|               | 6 | 13.100 | _____ |

Data Evaluation

|                               |   |        |
|-------------------------------|---|--------|
| Lowest Reading                | : | 12.900 |
| Average - Low 3               | : | 12.900 |
| Thk.Rem. Above LFL            | : | 1.800  |
| Indv. Short Term Rate (mm/yr) | : |        |
| Short Term Rate (mm/yr)       | : |        |
| LongTerm Rate (mm/yr)         | : |        |

Comments:  
 2003/12 - SHOWING ROUGH SCALE

Description: VESSEL 2" CIRC T-W

**TML: 017-45**

|                |             |                    |   |
|----------------|-------------|--------------------|---|
| Nominal: 5.500 | C.A. as per | C.A. L.F.L.: 0.688 | Con't Service: YES<br>Insp. Intv. 12<br>Addtl Assm't: YES |
| t Min.: --     | ASTM        | L.F.L.: 4.812      |   |
| C.A. Calc.: -- |             | Mths.To L.F.L.:    |   |

Survey Dates: 2003-12

|               |   |       |       |
|---------------|---|-------|-------|
| Data Readings | 1 | 5.600 | _____ |
|               | 2 | 5.800 | _____ |
|               | 3 | 5.900 | _____ |
|               | 4 | 6.000 | _____ |
|               | 5 | 5.900 | _____ |
|               | 6 | 5.800 | _____ |

Data Evaluation

|                               |   |       |
|-------------------------------|---|-------|
| Lowest Reading                | : | 5.600 |
| Average - Low 3               | : | 5.733 |
| Thk.Rem. Above LFL            | : | 0.788 |
| Indv. Short Term Rate (mm/yr) | : |       |
| Short Term Rate (mm/yr)       | : |       |
| LongTerm Rate (mm/yr)         | : |       |

Comments:  
 2003/12 - SHOWING ROUGH SCALE