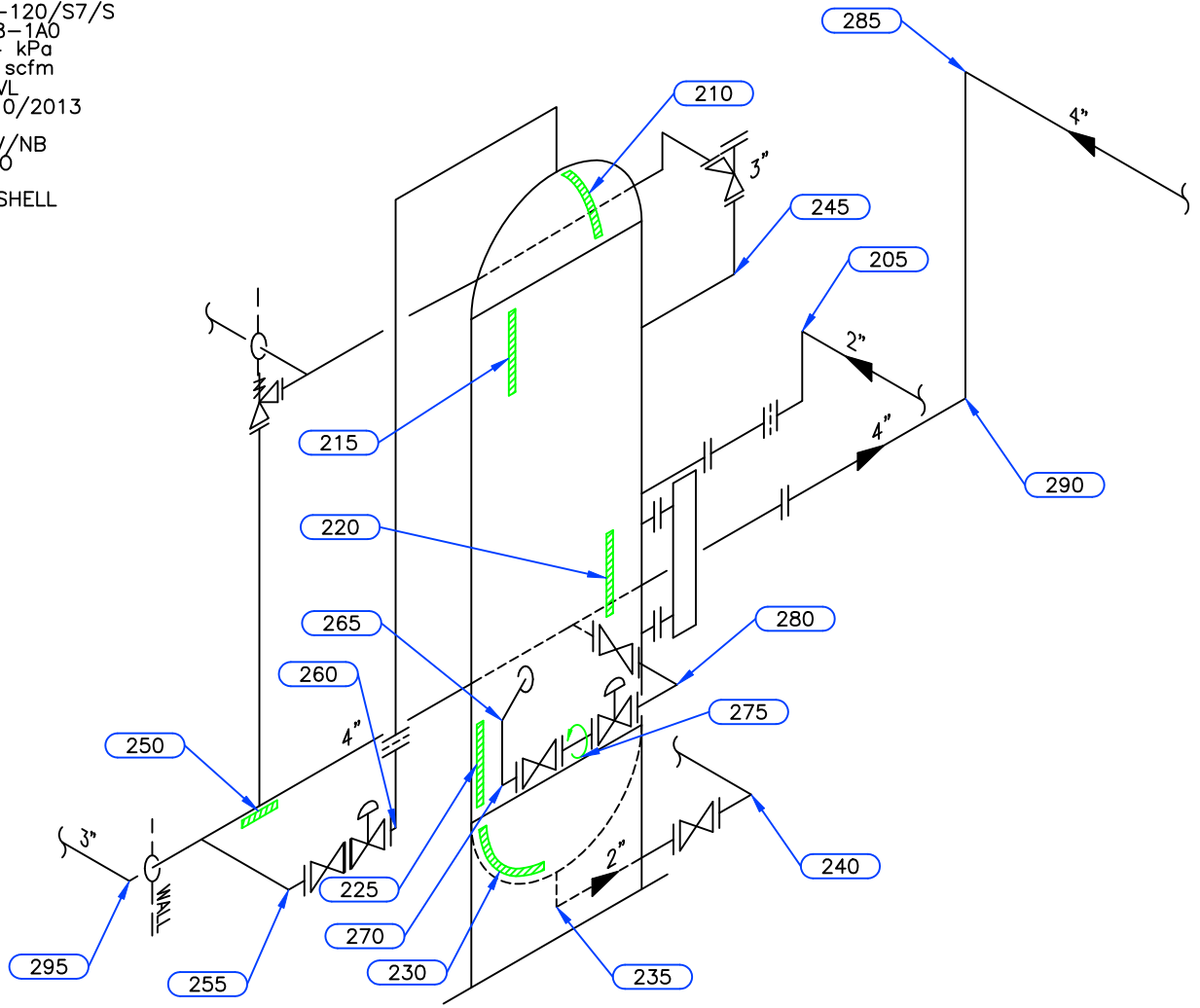


**PSV DATA**

MFG: FARRIS  
 MODEL: 26FA12-120/S7/S  
 SERIAL: CE34088-1A0  
 SET PRES: 4964 kPa  
 CAPACITY: 4761 scfm  
 SERVICED BY: UVL  
 SERVICE DATE: 10/2013  
 SIZE: 1.5"x2"  
 CODE STAMP: UV/NB  
 BLOCK VALVE: NO  
 CRN: N/S  
 LOCATION: TOP SHELL  
 TAG: 24675F



Equip. No. \_\_\_\_\_ Prov. Reg. No. **Ⓐ 2683896** C.R.N. **K-3720.2** Serial No. **VS6487** Yr. Inst. \_\_\_\_\_  
 Code/Div. **ASME VIII, Div 1** Size: **30in x 96in** Manufacturer: **LARSEN & D'AMICO MFG LTD.** Yr. Blt. **1991**  
 C. Stamp: **U** Service: **SOUR** PWHT: **HT** Radiography: **RT-1** Insulated: **NO**

**Design & Materials Data**

**HEAD:**  
 Top Mat'l. **SA 516 70N** Top Nom. **20.6mm** Top C.A. **3.2mm**  
 Btm. Mat'l. \_\_\_\_\_ Btm. Nom. \_\_\_\_\_ Btm. C.A. \_\_\_\_\_  
**CHANNEL:**  
 Material: \_\_\_\_\_ Nominal: \_\_\_\_\_ C.A. \_\_\_\_\_  
**BOOT**  
 Head Mat'l. \_\_\_\_\_ Head Nom. \_\_\_\_\_ Head C.A. \_\_\_\_\_  
 Shell Mat'l. \_\_\_\_\_ Shell Nom. \_\_\_\_\_ Shell C.A. \_\_\_\_\_  
**SHELL**  
 Material: **SA 516 70N** Nominal: **19.0mm** C.A. **3.2mm**  
 MAWP Shell Side: **4964 kPa** @ Temp. **38°C**  
 MAWP Tube Side: \_\_\_\_\_ @ Temp. \_\_\_\_\_

CLIENT	CANADIAN NATURAL RESOURCES		
FACILITY	CECIL GAS GATHERING LSD b11-23-84-18 W6M		
ITEM	INLET SEPARATOR		
BY: TK/CK	DATE: 11/2014	DWG.# 45	

# UTS DATA

**CLIENT:** CANADIAN NATURAL RESOURCES  
**EQUIPMENT:** INLET SEPARATOR  
**CRN#:** K-3720.2  
**PROV REG:** A 2683896  
**TESTED ON STREAM**

**FACILITY:** CECIL GAS GATHERING  
**SERVICE:** SOUR  
**LOCATION:** B11-23-84-18 W6M  
**RTD JOB #:** 10.115297  
**REFER TO DRAWING:** 45

Test Point	THICKNESS DATA				Flag	T-Min	C.A.	Nom.	Short Term	Long Term	Ave. mm/py	Retirement Date
<b>210</b>												
Description:	TOP HEAD											
	2014 11											
Min. Thick.	22.8	17.40	3.2	20.60					0	0		
Average:	23.5											
Analysis:	2014/11 - MIN SCAN AT MIDDLE OF BAND.											
<b>215</b>												
Description:	UPPER SHELL											
	2014 11											
Min. Thick.	18.8	15.80	15.4	3.2	19.00				0	0		2405
Average:	19.1											
Analysis:												
<b>220</b>												
Description:	MID SHELL											
	2014 11											
Min. Thick.	19.5	15.80		3.2	19.00				0	0		
Average:	19.6											
Analysis:												
<b>225</b>												
Description:	LOWER SHELL											
	2014 11											
Min. Thick.	18.9	15.80	15.4	3.2	19.00				0	0		2819
Average:	19.1											
Analysis:												
<b>230</b>												
Description:	BOTTOM HEAD											
	2014 11											
Min. Thick.	22.6	17.40		3.2	20.60				0	0		
Average:	23.5											
Analysis:	2014/11 - MIN SCAN AT MIDDLE OF BAND.											
<b>235</b>												
Description:	2" 90° NOZZLE											
	2014 11											
Min. Thick.	7.5	5.50	1.6	3.2	8.70				0	0		2127
Average:	8											
Analysis:	2014/11 - MIN SCAN AT MID ELBOW, MID APEX. CRITICAL THICKNESS CALCULATIONS CARRIED OUT TO 0.9mm BUT CODE MINIMUM IS MAINTAINED AT 1.6mm.											

# UTS DATA

**CLIENT:** CANADIAN NATURAL RESOURCES  
**EQUIPMENT:** INLET SEPARATOR PIPING  
**CRN#:**  
**PROV REG:**  
**TESTED ON STREAM**

**FACILITY:** CECIL GAS GATHERING  
**SERVICE:** SOUR  
**LOCATION:** B11-23-84-18 W6M  
**RTD JOB #:** 10.115297  
**REFER TO DRAWING:** 45

Test Point	THICKNESS DATA				Flag	T-Min	C.A.	Nom.	Short Term	Long Term	Ave. mm/py	Retirement Date
<b>205</b>												
Description: 2" 90° ELBOW												
2014 11												
Min. Thick.	8	7.61	1.1	8.70					0	0		
Average:	8.4											
Analysis: 2014/11 - MIN SCAN AT MID ELBOW, MID APEX.												
<b>240</b>												
Description: 2" 90° ELBOW												
2014 11												
Min. Thick.	3.1	3.41	1.6	.5	3.90				0	0		
Average:	3.4											
Analysis: 2014/11 - CRITICAL THICKNESS CALCULATIONS CARRIED OUT TO 0.9mm BUT CODE MINIMUM IS MAINTAINED AT 1.6mm. RETIREMENT DATE: 2057.												
<b>245</b>												
Description: 3" 90° ELBOW												
2014 11												
Min. Thick.	7.1	6.65	1	7.60					0	0		
Average:	7.4											
Analysis:												
<b>250</b>												
Description: 4" TEE												
2014 11												
Min. Thick.	9.7	7.53	1.1	8.60					0	0		
Average:	10											
Analysis:												
<b>255</b>												
Description: 2" 90° ELBOW												
2014 11												
Min. Thick.	4.5	4.81	1.6	.7	5.50				0	0		
Average:	4.8											
Analysis: 2014/11 - CRITICAL THICKNESS CALCULATIONS CARRIED OUT TO 0.9mm BUT CODE MINIMUM IS MAINTAINED AT 1.6mm. RETIREMENT DATE: 2081.												
<b>260</b>												
Description: 2" 90° ELBOW												
2014 11												
Min. Thick.	5.2	4.81	.7	5.50					0	0		
Average:	5.5											
Analysis:												

# UTS DATA

**CLIENT:** CANADIAN NATURAL RESOURCES  
**EQUIPMENT:** INLET SEPARATOR PIPING  
**CRN#:**  
**PROV REG:**  
**TESTED ON STREAM**

**FACILITY:** CECIL GAS GATHERING  
**SERVICE:** SOUR  
**LOCATION:** B11-23-84-18 W6M  
**RTD JOB #:** 10.115297  
**REFER TO DRAWING:** 45

Test Point	THICKNESS DATA				Flag	T-Min	C.A.	Nom.	Short Term	Long Term	Ave. mm/py	Retirement Date
<b>265</b>												
Description: 2" 90° ELBOW												
2014 11												
Min. Thick.	5.1	4.81		.7	5.50				0	0		
Average:	5.4											
Analysis:												
<b>270</b>												
Description: 2" 90° ELBOW												
2014 11												
Min. Thick.	5	4.81		.7	5.50				0	0		
Average:	5.3											
Analysis:												
<b>275</b>												
Description: 2" CIRC BAND												
2014 11												
Min. Thick.	5.3	4.81		.7	5.50				0	0		
Average:	5.6											
Analysis:												
<b>280</b>												
Description: 2" 90° ELBOW												
2014 11												
Min. Thick.	4.5	4.81	1.6	.7	5.50				0	0		
Average:	4.8											
Analysis: 2014/11 - CRITICAL THICKNESS CALCULATIONS CARRIED OUT TO 0.9mm BUT CODE MINIMUM IS MAINTAINED AT 1.6mm. RETIREMENT DATE: 2081.												
<b>285</b>												
Description: 2" 90° ELBOW												
2014 11												
Min. Thick.	7.9	7.61		1.1	8.70				0	0		
Average:	8.2											
Analysis:												
<b>290</b>												
Description: 4" 90° ELBOW												
2014 11												
Min. Thick.	7.8	7.53		1.1	8.60				0	0		
Average:	8.1											
Analysis:												

# UTS DATA

**CLIENT:** CANADIAN NATURAL RESOURCES  
**EQUIPMENT:** INLET SEPARATOR PIPING  
**CRN#:**  
**PROV REG:**  
**TESTED ON STREAM**

**FACILITY:** CECIL GAS GATHERING  
**SERVICE:** SOUR  
**LOCATION:** B11-23-84-18 W6M  
**RTD JOB #:**10.115297  
**REFER TO DRAWING:** 45

Test Point	THICKNESS DATA				Flag	T-Min	C.A.	Nom.	Short Term	Long Term	Ave. mm/py	Retirement Date
295												
Description: 3" 90° ELBOW												
2014 11												
Min. Thick.	7.1				6.65	1		7.60			0	0
Average:	7.3											
Analysis:												