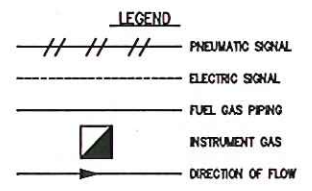
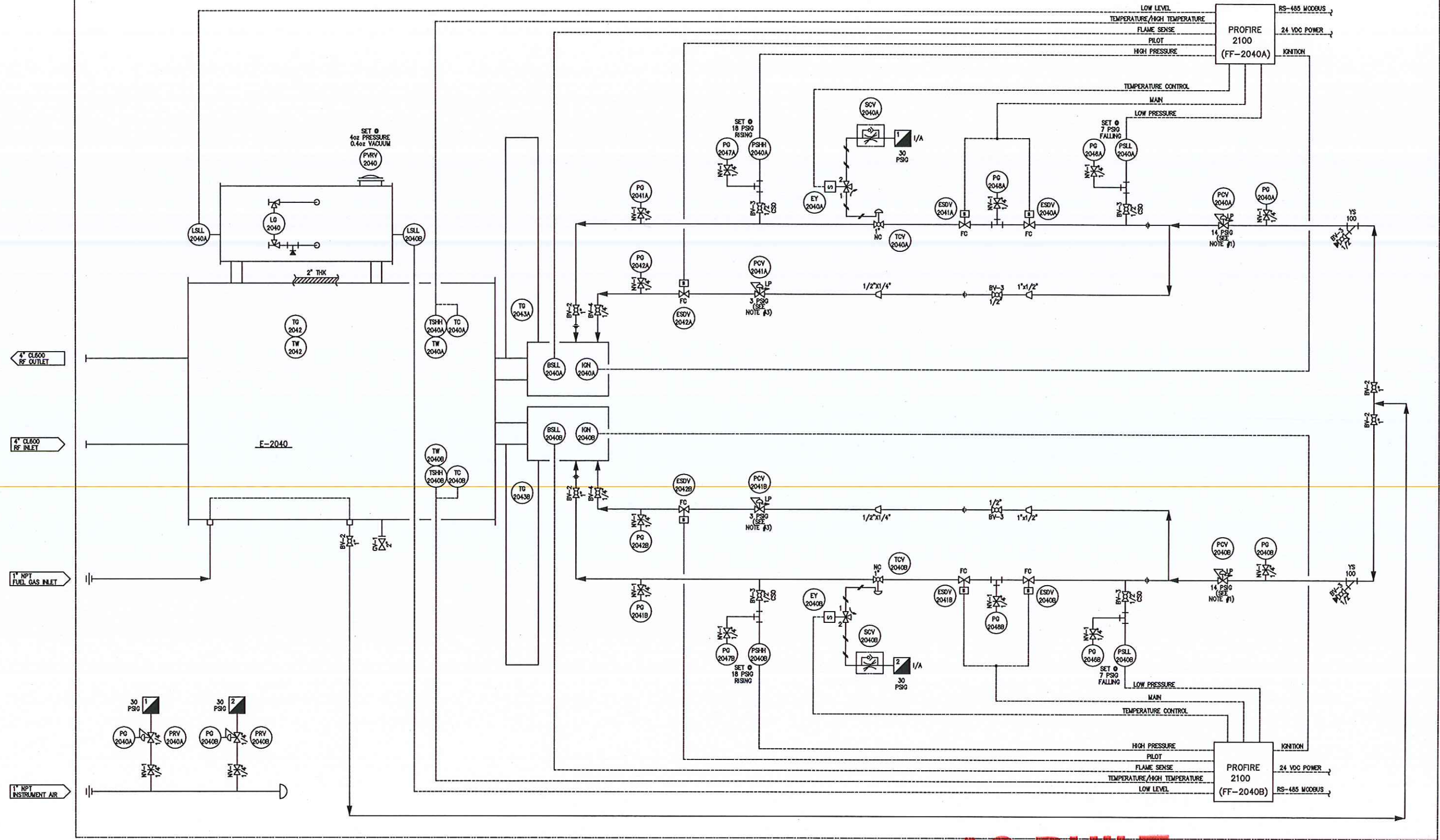


CLIENT
FOURSTAR RESOURCES INC.



F-2040
 MODEL: 4000 IH (LEFT HAND MOUNT)
 SIZE: 72" OD x 26'-1" LG
 SHELL CAPACITY: 4140 USG
 COIL: 3" (20) TUBE (1) PASS COIL
 MAWP: 1135 PSIG
 DESIGN TEMP: 600F
 MONT: -20F
 CA: 1/8"
 PINT: YES
 RADIOGRAPHY: 100%

- GENERAL NOTES:**
1. ALL FITTINGS TO BE Q2200 FS MIN.
 2. ALL NIPPLES TO BE SCH 80 SA-106-B.
 3. VENTED O/S BUILDING FOR DIAPHRAGM BREAKAGE AND INTERNAL RELIEF WITH AT LEAST EQUAL NOMINAL PIPE SIZE OF THE VENT OUTLET.
 4. SKID ELECTRICAL AND INSTRUMENTATION COMPONENTS AND WIRING TO MEET CLASS 1 ZONE 1 GROUP IIA AND IIB, AND ARE TO BE CSA APPROVED.
 5. REFER TO 181048 PROJECT DATA LIST FOR EQUIPMENT AND INSTRUMENTATION DESCRIPTIONS.

AS BUILT

181048

2		RE-AS BUILT	SDC	WT	02/08/18	FSR INC FOURSTAR RESOURCES INC. NISKU, ALBERTA, CANADA DRAWN BY: MN DATE FORWARDED BY: WT DATE: JUL02/18 APPROVED BY: WT DATE: JUL02/18 DATE SCALE: NTS	P&ID FOR FSR INDIRECT FIRED LINE HEATER w/ PROFIRE 2100 DRAWING NO. 181048PID
1		AS BUILT	SDC	WT	04/08/18		
0		ISSUED FOR CONSTRUCTION	MN	WT	04/15/18		
A		ISSUED FOR APPROVAL	MN	WT	04/02/18		
REV		DESCRIPTION	BY	CHKD	DATE		

DEVON CANADA CORP
 HOT WATER VAPOUR PROCESS PILOT (2269)
 PO# 450009552 SO# 181048
THIS DRAWING IS THE PROPERTY OF FOURSTAR RESOURCES INC. AND IS NOT TO BE PRINTED, PHOTOGRAPHED, COPIED, LOANED OR USED WITHOUT ITS PERMISSION