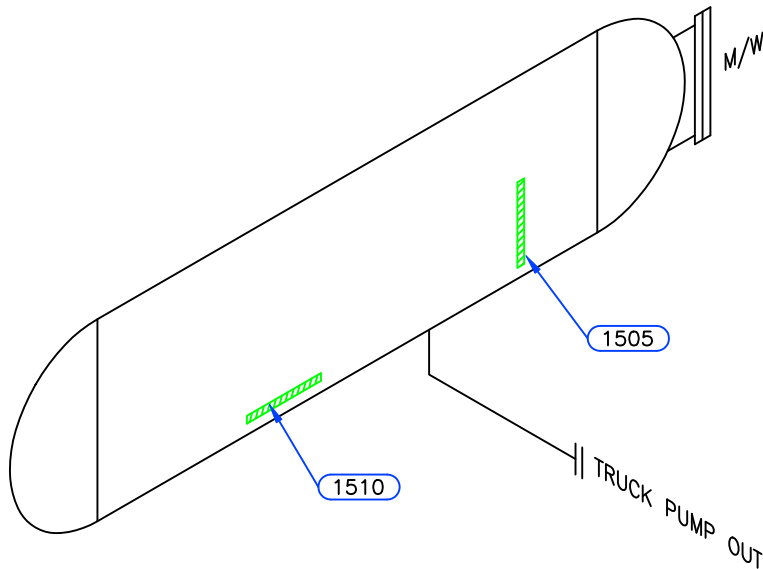


PSV DATA
 MODEL: 91-CL-10976



NOTE: INTERNALLY COATED

Equip. No. _____ Prov. Reg. No. Ⓐ C23408 C.R.N. NON CODE Serial No. 98120-002 Yr. Inst. _____
 Code/Div. NON CODE Size: 36in.ID x 10ft. Manufacturer: BLACK, SIVALLS & BRYSON Yr. Blt. 1998
 C. Stamp: NO Service: SOUR PWHT: NO Radiography: NONE Insulated: YES

Design & Materials Data

HEAD:
 Top Mat'l. SA 36 Top Nom. 6.4mm Top C.A. _____
 Btm. Mat'l. _____ Btm. Nom. _____ Btm. C.A. _____
 CHANNEL:
 Material: _____ Nominal: _____ C.A. _____
 BOOT
 Head Mat'l. _____ Head Nom. _____ Head C.A. _____
 Shell Mat'l. _____ Shell Nom. _____ Shell C.A. _____
 SHELL
 Material: SA 36 Nominal: 6.4mm C.A. _____
 MAWP Shell Side: ATMOS @ Temp. _____
 MAWP Tube Side: _____ @ Temp. _____

CLIENT	CANADIAN NATURAL RESOURCES	
FACILITY	WEST BLUEBERRY BATTERY LSD 12-29-88-25 W6M	
ITEM	FLARE KNOCKOUT DRUM	
BY: CB	DATE: 07/2005	DWG.# 15

