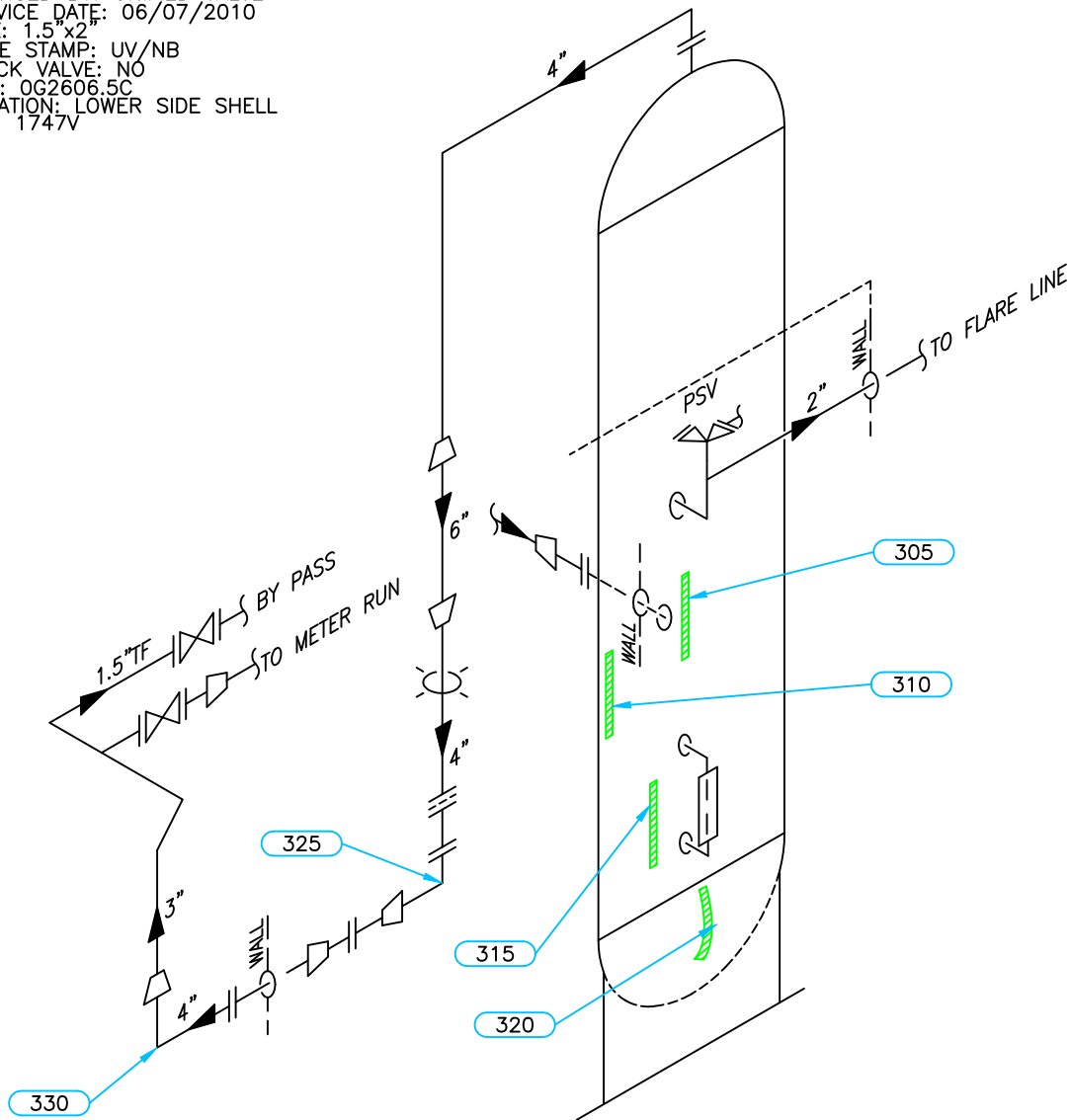


**PSV DATA**

MFG: MERCER  
 MODEL: 81-34251T27G21  
 SERIAL: 49380  
 SET PRES: 9673 kPa  
 CAPACITY: 11233 scfm  
 SERVICED BY: UNIFIED VALVE  
 SERVICE DATE: 06/07/2010  
 SIZE: 1.5" x 2"  
 CODE STAMP: UV/NB  
 BLOCK VALVE: NO  
 CRN: OG2606.5C  
 LOCATION: LOWER SIDE SHELL  
 TAG: 1747V



Equip. No. \_\_\_\_\_ Prov. Reg. No. **516940** C.R.N. **P-1238.213** Serial No. **2004-7280-01C** Yr. Inst. \_\_\_\_\_  
 Code/Div. **ASME VIII, Div 1** Size: **24in x 30ft** Manufacturer: **ALCO GAS & OIL** Yr. Blt. **2004**  
 C. Stamp: **U** Service: **SWEET** PWHT: **NIL** Radiography: **RT2** Insulated: **NO**

**Design & Materials Data**

**HEAD:**  
 Top Mat'l. **SA 516 70 MT** Top Nom. **27.1mm** Top C.A. **3.2mm**  
 Btm. Mat'l. \_\_\_\_\_ Btm. Nom. \_\_\_\_\_ Btm. C.A. \_\_\_\_\_  
**CHANNEL:**  
 Material: \_\_\_\_\_ Nominal: \_\_\_\_\_ C.A. \_\_\_\_\_  
**BOOT**  
 Head Mat'l. \_\_\_\_\_ Head Nom. \_\_\_\_\_ Head C.A. \_\_\_\_\_  
 Shell Mat'l. \_\_\_\_\_ Shell Nom. \_\_\_\_\_ Shell C.A. \_\_\_\_\_  
**SHELL**  
 Material: **SA 516 70 MT** Nominal: **25.4mm** C.A. **3.2mm**  
 MAWP Shell Side: **9673 kPa** @ Temp. **66°C**  
 MAWP Tube Side: \_\_\_\_\_ @ Temp. \_\_\_\_\_

CLIENT	CANADIAN NATURAL RESOURCES	
FACILITY	LADYFERN FIELD LSD b-88-H/94-H-01	
ITEM	3 PHASE GLYCOL CONTACTOR	
BY: J.D.H	DATE: 06/2010	DWG.# 3-1

# UTS DATA

**CLIENT** CANADIAN NATURAL RESOURCES  
**EQUIPMENT** 3 PHASE GLYCOL CONTACTOR  
**CRN:** P-1238.213  
**PROV REG** A 516940  
**TESTEI**      **STREAM**

**FACILITY** LADYFERN FIELD  
**SERVICE** SWEET  
**LOCATION** b-88-H/94-H-01  
**RTD JOB #** 105.00390  
**REFER TO DRAWING** 3-1

Test Point	THICKNESS DATA				Flag	Crit	C.A.	Nom.	Short Term	Long Term	Ave. mm/py	Flag Date
<b>305</b>												
Description: MID SHELL												
2010 6												
Min. Thick.	25.9	22.2	3.2	25.4					0	0		L
Average:	26											L
Analysis:												
<b>310</b>												
Description: MID SHELL												
2010 6												
Min. Thick.	26	22.2	3.2	25.4					0	0		L
Average:	26.1											L
Analysis:												
<b>315</b>												
Description: LOWER SHELL												
2010 6												
Min. Thick.	26	22.2	3.2	25.4					0	0		L
Average:	26.1											L
Analysis:												
<b>320</b>												
Description: BOTTOM HEAD												
2010 6												
Min. Thick.	28.3	23.9	3.2	27.1					0	0		L
Average:	28.5											L
Analysis:												

