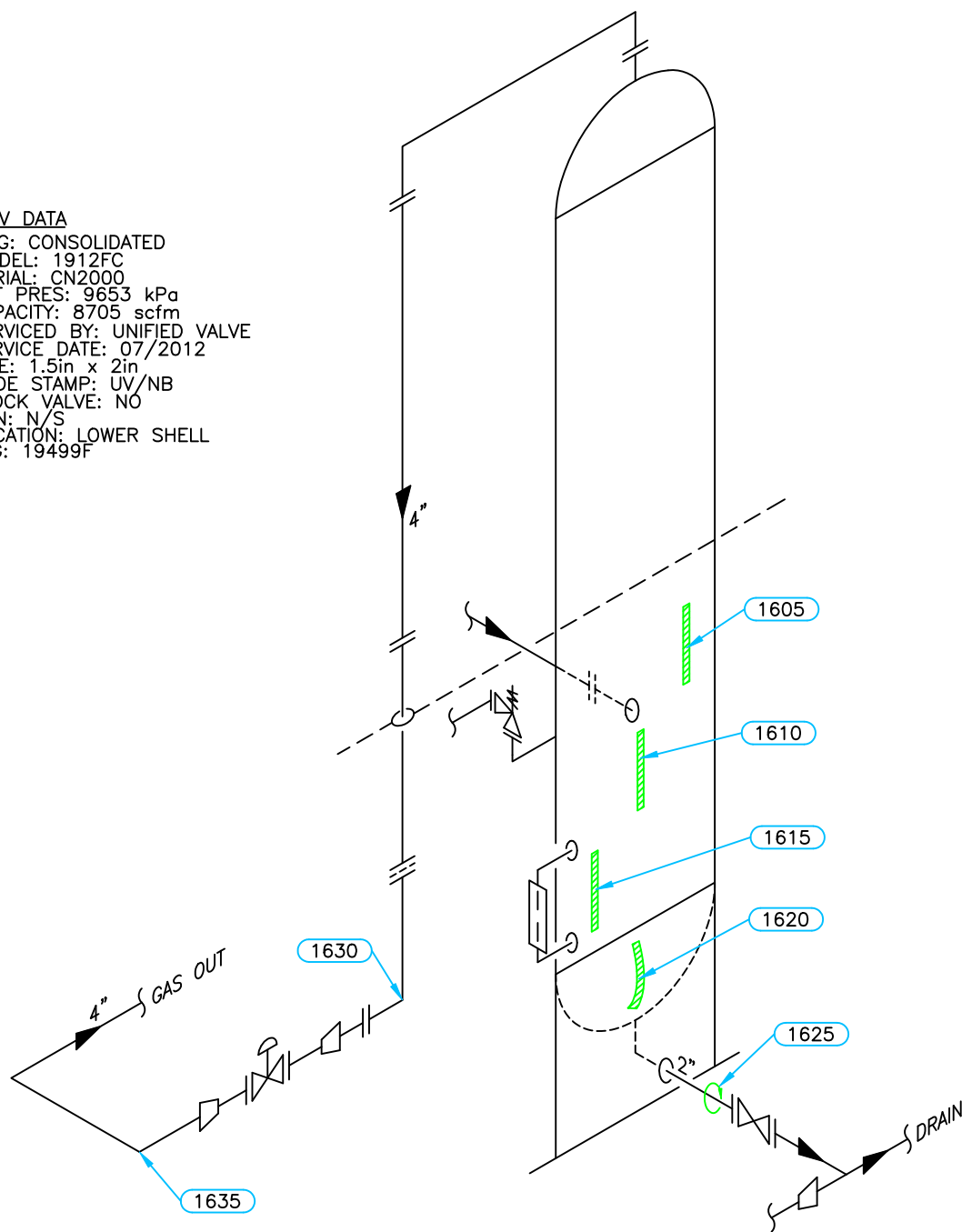


**PSV DATA**

MFG: CONSOLIDATED  
 MODEL: 1912FC  
 SERIAL: CN2000  
 SET PRES: 9653 kPa  
 CAPACITY: 8705 scfm  
 SERVICED BY: UNIFIED VALVE  
 SERVICE DATE: 07/2012  
 SIZE: 1.5in x 2in  
 CODE STAMP: UV/NB  
 BLOCK VALVE: NO  
 CRN: N/S  
 LOCATION: LOWER SHELL  
 TAG: 19499F



Equip. No. \_\_\_\_\_ Prov. Reg. No. **445902** C.R.N. **N-7770.21** Serial No. **99-1401-1** Yr. Inst. \_\_\_\_\_  
 Code/Div. **ASME VIII, DIV 1** Size: **26in x 28ft** Manufacturer: **SERVAL PROCESS INDUSTRIES** Yr. Blt. **1999**  
 C. Stamp: **U** Service: **SOUR** PWHT: **YES** Radiography: **RT-1** Insulated: **NO**

**Design & Materials Data**

**HEAD:**  
 Top Mat'l. **SA 516 70** Top Nom. **30.3mm** Top C.A. **3.2mm**  
 Btm. Mat'l. **SA 516 70** Btm. Nom. **30.8mm** Btm. C.A. **3.2mm**

**CHANNEL:**  
 Material: \_\_\_\_\_ Nominal: \_\_\_\_\_ C.A. \_\_\_\_\_

**BOOT**  
 Head Mat'l. \_\_\_\_\_ Head Nom. \_\_\_\_\_ Head C.A. \_\_\_\_\_  
 Shell Mat'l. \_\_\_\_\_ Shell Nom. \_\_\_\_\_ Shell C.A. \_\_\_\_\_

**SHELL**  
 Material: **SA 516 70** Nominal: **31.8mm** C.A. **3.2mm**

MAWP Shell Side: **9915 kPa** @ Temp. **54°C**  
 MAWP Tube Side: \_\_\_\_\_ @ Temp. \_\_\_\_\_

CLIENT	CANADIAN NATURAL RESOURCES	
FACILITY	MILLIGAN BATTERY LSD b-63-G/94-H-02	
ITEM	GLYCOL CONTACTOR	
BY: CS	DATE: 12/2008	DWG.# 16

# UTS DATA

**CLIENT:** CANADIAN NATURAL RESOURCES  
**EQUIPMENT:** GLYCOL CONTACTOR  
**CRN#:** N-7770.21  
**PROV REG:** A 445902  
**TESTED ON STREAM**

**FACILITY:** MILLIGAN BATTERY  
**SERVICE:** SOUR  
**LOCATION:** b-63-G/94-H-02  
**RTD JOB #:** 10.112227  
**REFER TO DRAWING:** 16

Test Point	THICKNESS DATA				Flag	T-Min	C.A.	Nom.	Short Term	Long Term	Ave. mm/py	Retirement Date
1605												
Description:	MID SHELL											
	2008	12	2012	9								
Min. Thick.	33.4		32.3		28.60		3.2	31.80	.29		.29	
Average:	33.5		32.4						.29		.29	
Analysis:												
1610												
Description:	LOWER SHELL											
	2008	12	2012	9								
Min. Thick.	33.5		32.4		28.60		3.2	31.80	.29		.29	
Average:	33.7		32.6						.29		.29	
Analysis:												
1615												
Description:	LOWER SHELL											
	2008	12	2012	9								
Min. Thick.	33.3		32		28.60	26.1	3.2	31.80	.35		.35	
Average:	33.5		32.3						.32		.32	2028
Analysis:												
1620												
Description:	BOTTOM HEAD											
	2008	12	2012	9								
Min. Thick.	32.8		32.4		27.60	25.1	3.2	30.80	.11		.11	
Average:	33.3		32.9						.11		.11	2044
Analysis:	09/2012 MIN SCAN AT KNUCKLE											
1625												
Description:	2" 90° NOZZLE											
	2008	12	2012	9								
Min. Thick.	8.7		8.7		5.50	2.4	3.2	8.70	0		0	
Average:	9		9						0		0	2096
Analysis:												

# UTS DATA

**CLIENT:** CANADIAN NATURAL RESOURCES  
**EQUIPMENT:** GLYCOL CONTACTOR PIPING  
**CRN#:**  
**PROV REG:**  
**TESTED ON STREAM**

**FACILITY:** MILLIGAN BATTERY  
**SERVICE:** SOUR  
**LOCATION:** b-63-G/94-H-02  
**RTD JOB #:** 10.112227  
**REFER TO DRAWING:** 16

Test Point	THICKNESS DATA				Flag	T-Min	C.A.	Nom.	Short Term	Long Term	Ave. mm/py	Retirement Date
1630												
Description:	4" 90° ELBOW											
	2008	12	2012	9								
Min. Thick.	8.3		8.3		7.53		1.1	8.60	0		0	
Average:	8.8		8.8						0		0	
Analysis:	09/2012 MIN SCAN AT DOWN OF SUPPORT											

**1635**

Description:	4" 90° ELBOW											
	2008	12	2012	9								
Min. Thick.	8.6		8.3		7.53		1.1	8.60	.08		.08	
Average:	8.8		8.6						.05		.05	
Analysis:												