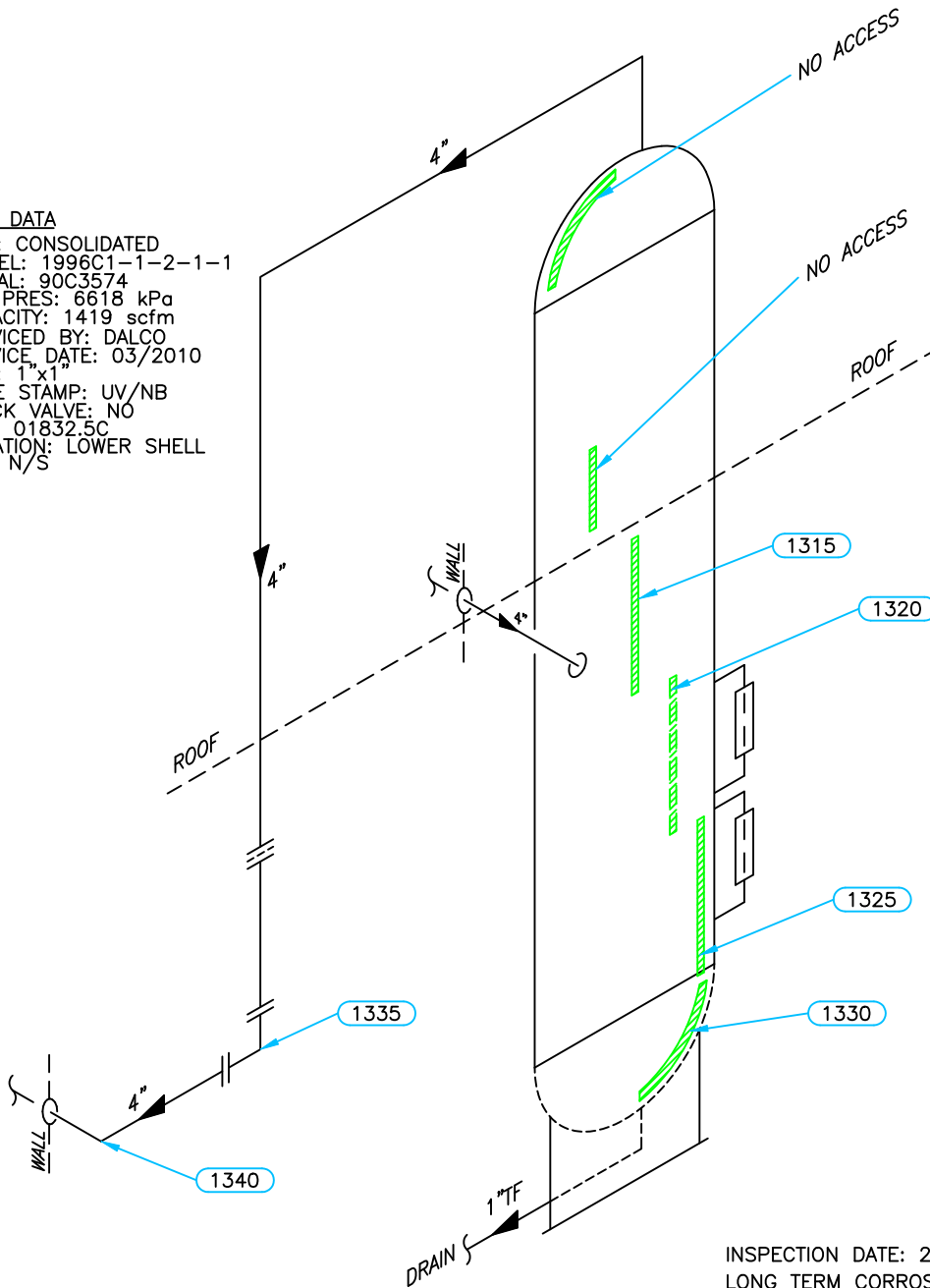


PSV DATA

MFG: CONSOLIDATED
 MODEL: 1996C1-1-2-1-1
 SERIAL: 90C3574
 SET PRES: 6618 kPa
 CAPACITY: 1419 scfm
 SERVICED BY: DALCO
 SERVICE DATE: 03/2010
 SIZE: 1"x1"
 CODE STAMP: UV/NB
 BLOCK VALVE: NO
 CRN: 01832.5C
 LOCATION: LOWER SHELL
 TAG: N/S



INSPECTION DATE: 2011/05
 LONG TERM CORROSION RATE BASED ON GREATEST THICKNESS LOSS—NO CORROSION RATE TO ASSESS.

Equip. No. _____ Prov. Reg. No. **Ⓐ 428011** C.R.N. **N-0812.21** Serial No. **95248-AH** Yr. Inst. _____
 Code/Div. **ASME VIII, DIV 1** Size: **24in x 360in** Manufacturer: **PROPAK SYSTEMS** Yr. Blt. **1996**
 C. Stamp: **U** Service: **SOUR** PWHT: **HT** Radiography: **RT-1** Insulated: **50%**

Design & Materials Data

HEAD:
 Top Mat'l. **SA 516 70** Top Nom. **27.1mm** Top C.A. **3.2mm**
 Btm. Mat'l. _____ Btm. Nom. _____ Btm. C.A. _____

CHANNEL:
 Material: _____ Nominal: _____ C.A. _____

BOOT
 Head Mat'l. _____ Head Nom. _____ Head C.A. _____
 Shell Mat'l. _____ Shell Nom. _____ Shell C.A. _____

SHELL
 Material: **SA 516 70** Nominal: **29.0mm** C.A. **3.2mm**

MAWP Shell Side: **10204 kPa** @ Temp. **38°C**
 MAWP Tube Side: _____ @ Temp. _____

CLIENT	CANADIAN NATURAL RESOURCES	
FACILITY	INGA COMPRESSOR STATION LSD 05-21-88-23 W6M	
ITEM	GLYCOL CONTACTOR	
BY: SE/CM	DATE: 05/2011	DWG.# 13

