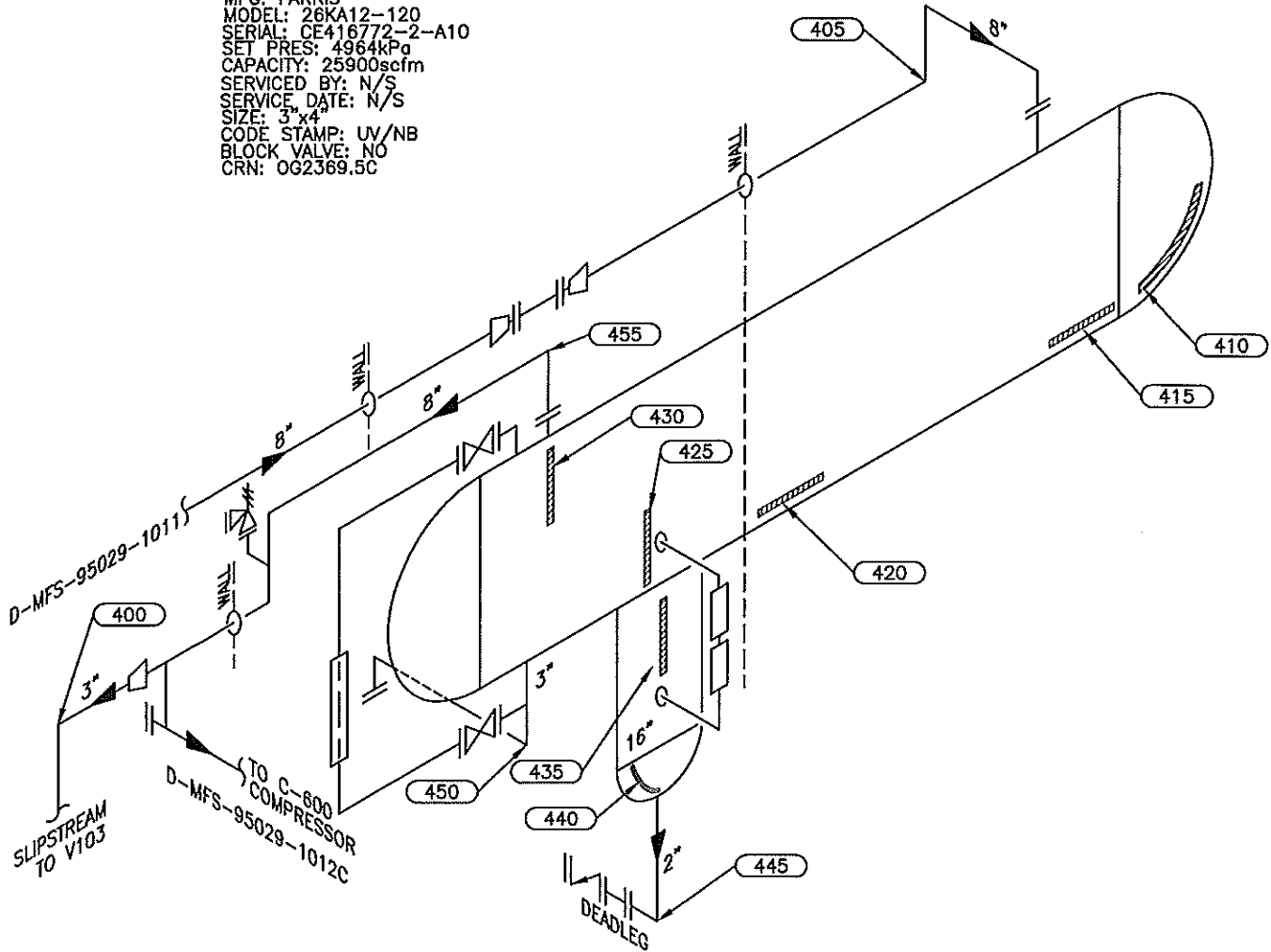


PSV DATA
 MFG: FARRIS
 MODEL: 26KA12-120
 SERIAL: CE416772-2-A10
 SET PRES: 4964kPa
 CAPACITY: 25900scfm
 SERVICED BY: N/S
 SERVICE DATE: N/S
 SIZE: 3" x 4"
 CODE STAMP: UV/NB
 BLOCK VALVE: NO
 CRN: OG2369.5C



Equip. No. V-200 Prov. Reg. No. Ⓐ 400835 C.R.N. L-8583.2 Serial No. C1102A.HS Yr. Inst. _____
 Code/Div. ASME VIII, Div 1 Size: 42in.OD x 16ft.S/S Manufacturer: RUSHTON Yr. Blt. 2000
 C. Stamp: NO Service: SWEET PWHT: N/S Radiography: RT-2 Insulated: 1/2

Design & Materials Data

HEAD:
 Top Mat'l. SA 516 70 Top Nom. 22.2mm Top C.A. 1.6mm
 Btm. Mat'l. _____ Btm. Nom. _____ Btm. C.A. _____
CHANNEL:
 Material: _____ Nominal: _____ C.A. _____
BOOT
 Head Mat'l. SA 516 70N Head Nom. 24.5mm Head C.A. 1.6mm
 Shell Mat'l. SA 106 B Shell Nom. 26.2mm Shell C.A. 1.6mm
SHELL
 Material: SA 516 70N Nominal: 22.2mm C.A. 1.6mm
 MAWP Shell Side: 4964 kPa @ Temp. 54°C
 MAWP Tube Side: _____ @ Temp. _____

CLIENT	CANADIAN NATURAL RESOURCES LTD		
FACILITY	GALLOWAY GAS PLANT#1 LSD 14-14-53-20 W5M		
ITEM	(6016) INLET SEPARATOR		
BY: CB	DATE: 11/2003	DWG.# 4	

UTS DATA

CLIENT: CANADIAN NATURAL RESOURCES

FACILITY: GALLOWAY GAS PLANT #1

EQUIPMENT: INLET SEPARATOR

SERVICE: SWEET

CRN#: L-8583.2

LOCATION: 14-14-53-20 W5M

PROV REG: A 400835

RTD JOB #: 2324096

TESTED ON STREAM

REFER TO DRAWING: 4

Test Point	THICKNESS DATA				Flag	Crit	C.A.	Nom.	Short Term	Long Term	Ave. mm/py	Flag Date
410												
Description:	LOWER HEAD											
	2003 9											
Min. Thick.	22.5	20.6	1.6	22.2							L	
Average:	23				0	0					L	
Analysis:	2003/09 MIN SCAN @ KNUCKLE.											
415												
Description:	BOTTOM SHELL											
	2003 9											
Min. Thick.	22.8	20.6	1.6	22.2							L	
Average:	23				0	0					L	
Analysis:												
420												
Description:	BOTTOM SHELL											
	2003 9											
Min. Thick.	23	20.6	1.6	22.2							L	
Average:	23.1				0	0					L	
Analysis:												
425												
Description:	LOWER SHELL											
	2003 9											
Min. Thick.	23	20.6	1.6	22.2							L	
Average:	23.3				0	0					L	
Analysis:												
430												
Description:	UPPER SHELL											
	2003 9											
Min. Thick.	23	20.6	1.6	22.2							L	
Average:	23.3				0	0					L	
Analysis:												
435												
Description:	BOOT SHELL											
	2003 9											
Min. Thick.	25.8	24.6	1.6	26.2							L	
Average:	26				0	0					L	
Analysis:												

UTS DATA

CLIENT: CANADIAN NATURAL RESOURCES

FACILITY: GALLOWAY GAS PLANT #1

EQUIPMENT: INLET SEPARATOR

SERVICE: SWEET

CRN#: L-8583.2

LOCATION: 14-14-53-20 W5M

PROV REG: A 400835

RTD JOB #: 2324096

TESTED ON STREAM

REFER TO DRAWING: 4

Test Point	THICKNESS DATA				Flag	Crit	C.A.	Nom.	Short Term	Long Term	Ave. mm/yr	Flag Date
440												
Description:	BOOT HEAD											
	2003 9											
Min. Thick.	24.3			22.9		1.6	24.5					L
Average:	25							0	0			L
Analysis:	2003/09 MIN SCAN @ KNUCKLE.											
445												
Description:	2" 90° NOZZLE											
	2003 9											
Min. Thick.	9.4			7.1		1.6	8.7					L
Average:	9.7							0	0			L
Analysis:												
450												
Description:	3" 90° NOZZLE											
	2003 9											
Min. Thick.	15.3			9.5		1.6	11.1					L
Average:	15.5							0	0			L
Analysis:												

UTS DATA

CLIENT: CANADIAN NATURAL RESOURCES
EQUIPMENT: INLET SEPARATOR PIPING
CRN#:
PROV REG:
TESTED ON STREAM

FACILITY: GALLOWAY GAS PLANT #1
SERVICE: SWEET
LOCATION: 14-14-53-20 W5M
RTD JOB #: 2324096
REFER TO DRAWING: 4

Test Point	THICKNESS DATA				Short Term	Long Term	Ave. mm/yr	Flag Date
	Flag	Crit	C.A.	Nom.				
400								
Description: 3" 90° ELBOW								
2003 9								
Min. Thick.	6.1	4.81	.7	5.5	0	0		L
Average:	6.4							L
Analysis:								
405								
Description: 8" 90° ELBOW								
2003 9								
Min. Thick.	9.1	7.17	1	8.2	0	0		L
Average:	9.4							L
Analysis:								
455								
Description: 8" 90° ELBOW								
2003 9								
Min. Thick.	8.8	7.17	1	8.2	0	0		L
Average:	9.1							L
Analysis:								