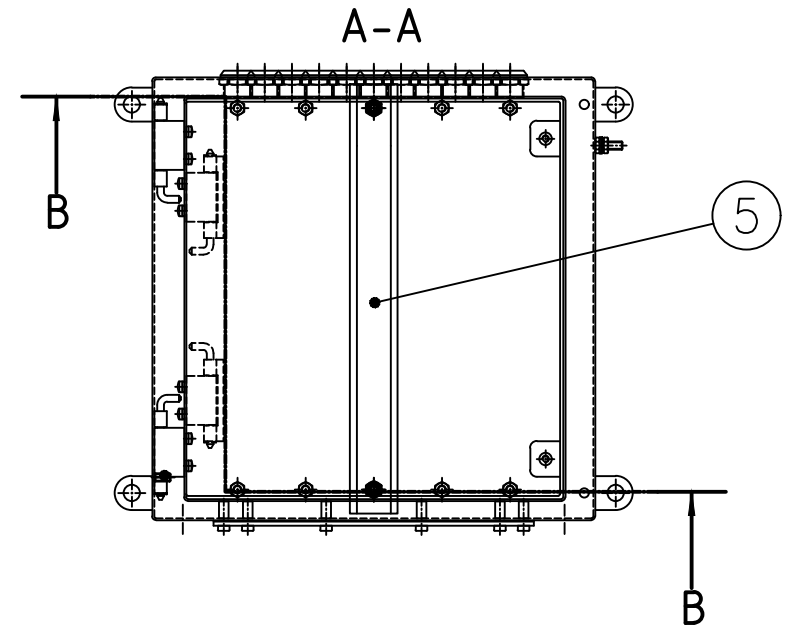
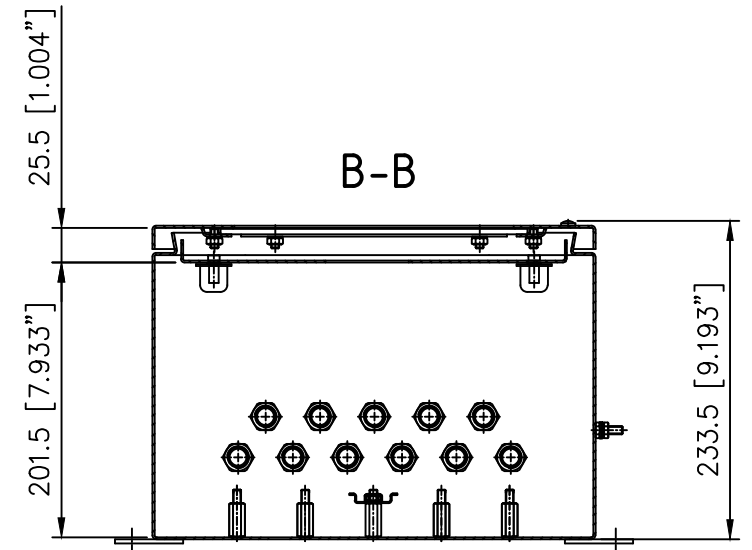
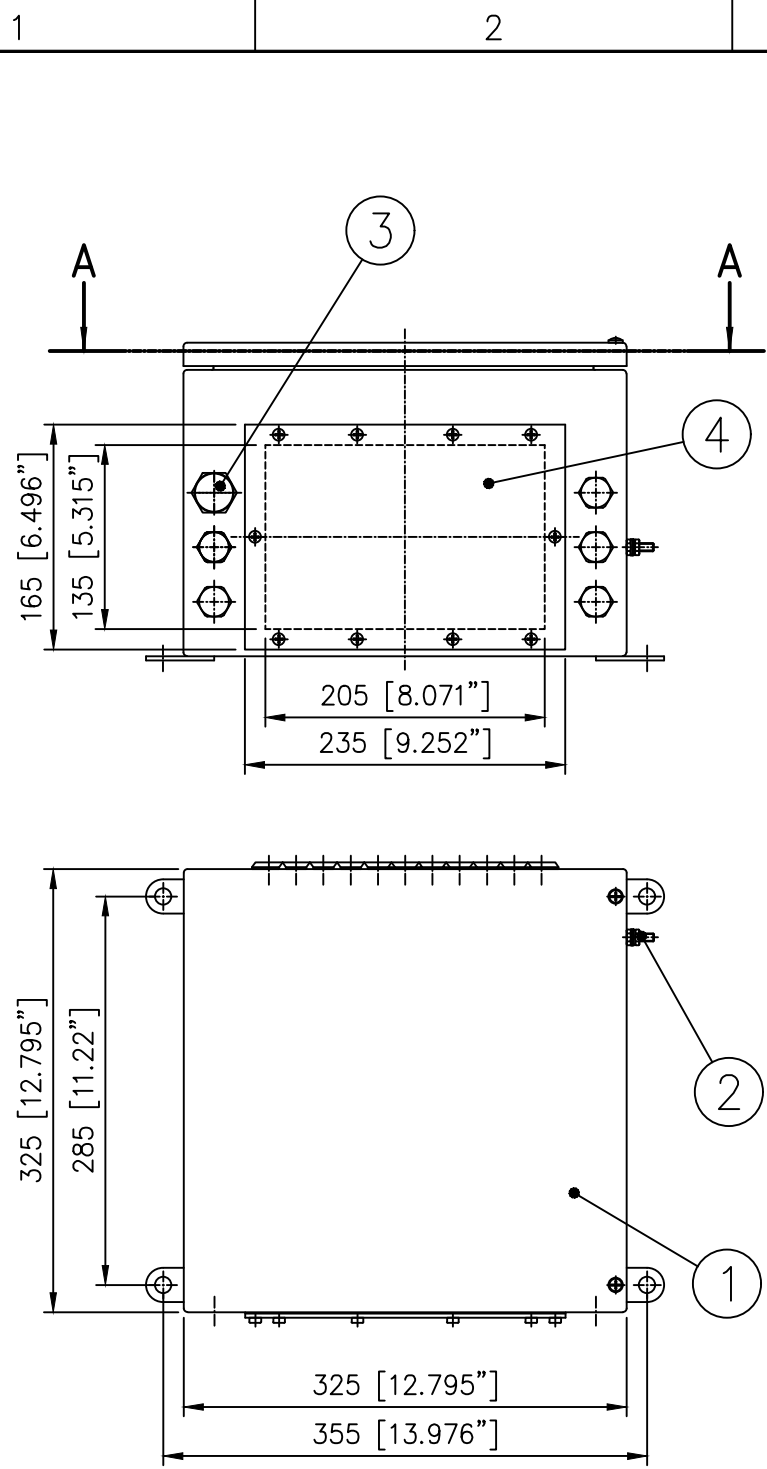


We reserve all rights in this document and in the information contained therein. Reproduction, use or disclosure to third parties without express authority is strictly forbidden.
© ABB Oy, Machines, Helsinki

Symbols for roughness according to ISO 1302, 9ADA 431

General tolerances for linear and angular dimensions and geometrical tolerances: ISO 2768 -mK Referential standards 9ADA 422, DIN 7168T.1



1	TERMINAL BOX MATERIAL: PAINTED STEEL
2	GROUNDING LUG (AISI 316) (2 PCS)
3	DRAIN PLUG (1 PCS)
4	GLAND PLATE FOR CUSTOMER'S CABLES BLIND FLANGE (1 PCS)
5	MOUNTING RAIL TS 35 x 7.5 (1 PCS)

0537 II 2G Ex ia IIC T4 Gb
II 2D Ex tb IIC T100°C Db
EESF 18 ATEX 034X, IECEx EESF 18.0014X
ZWT1 ABB Oy
IP66

Enerflex Ltd. VENDOR DRAWING/DOCUMENT REVIEW CODES		
1	<input checked="" type="checkbox"/>	Reviewed and accepted with no comment.
2	<input type="checkbox"/>	Reviewed and accepted with comment. Work may proceed subject to incorporation of comments.
3	<input type="checkbox"/>	Revise and resubmit. Work will <u>NOT</u> proceed.
4	<input type="checkbox"/>	Review not required (for information only).
Reviewed only as to general conformity with the design concept and specifications provided. Sole responsibility for correct design, detail and dimensions shall remain with the party submitting the document.		
Checked By dwallace	Date 2/14/2019	Project No. E104026

Customer Reference 5: 02C 7.4_1750HP,6P,4kV_MSSappvd		Our Reference 2800IY200	Protection/Cooling IP66
Additional Information			Poles
Prepared 2019-01-31 GRACE ZHAO	Separate part list with separate No. <input type="checkbox"/>	Title TERMINAL BOX FOR PROXIMITY TRANSDUCERS	
Reviewed 2019-01-31 LEON HUANG	Responsible Department	Scale 1:5	
Approved 2019-01-31 KENNY KE	Original Dwg	Language en	
Distribution 0	Functional Code AK	Order No.	Weight 24.5 kg
Type AMI 500L6W BSFNS		Mounting	Size A3
Document No. 3GYB3898264		Revision A	Sheet 1/1

ABBA3BF1

AutoCAD