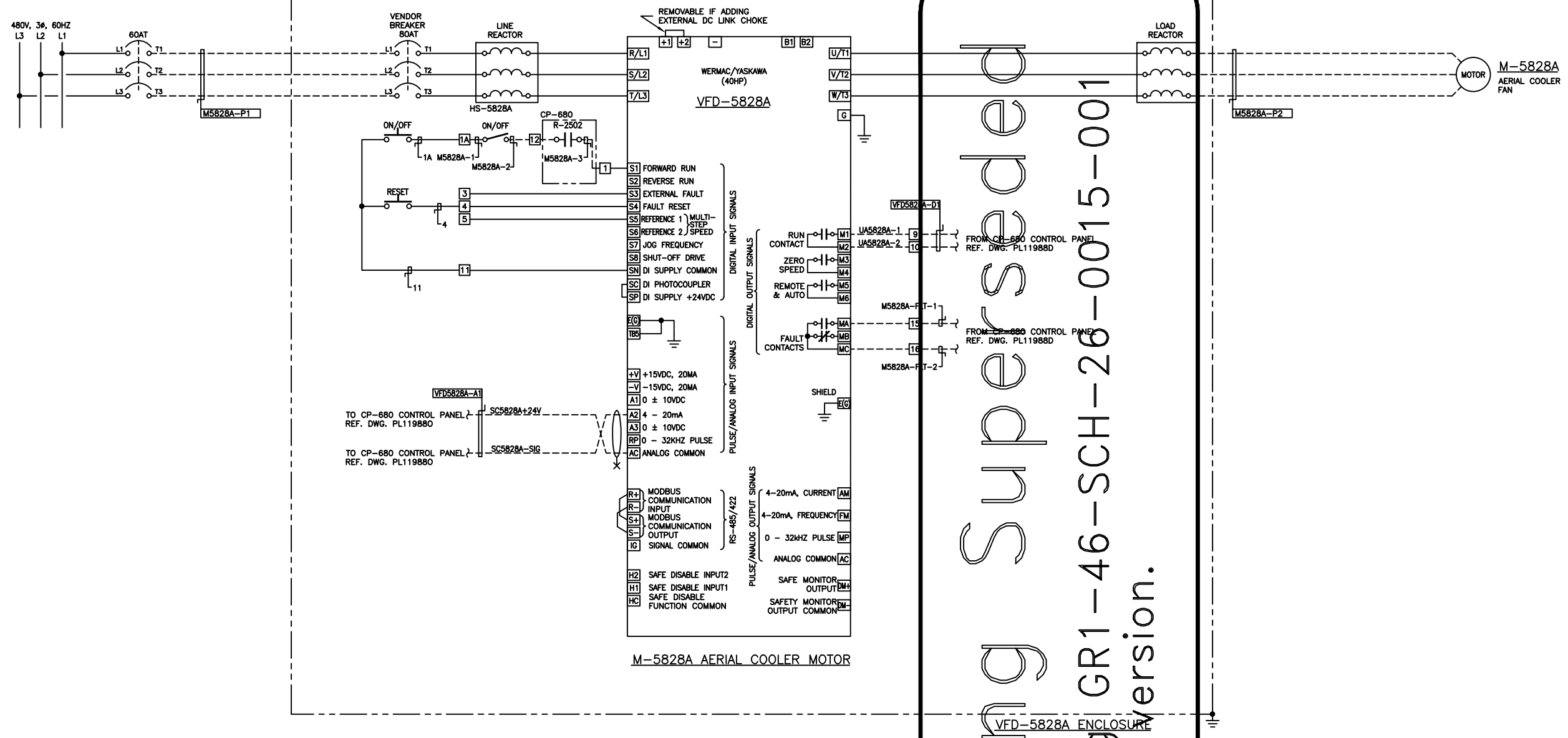


Date Time



M-5828A AERIAL COOLER MOTOR

Drawing Superseded
 See Drawing GR1-46-SCH-26-0015-001
 for current version.

THE DESIGN INFORMATION CONTAINED IN THESE DRAWINGS ACCURATELY REFLECTS THE ORIGINAL DESIGN AND THE MATERIAL DESIGN CHANGES MADE DURING CONSTRUCTION THAT WERE BROUGHT TO WSP'S ATTENTION. THESE DRAWINGS ARE INTENDED TO INCORPORATE ADDENDA, CHANGE ORDERS, AND OTHER MATERIAL DESIGN CHANGES, BUT NOT NECESSARILY ALL SITE INSTRUCTIONS. WSP DOES NOT WARRANT OR GUARANTEE, NOR ACCEPT ANY RESPONSIBILITY FOR THE ACCURACY OR COMPLETENESS OF THE AS CONSTRUCTED INFORMATION SUPPLIED BY OTHERS CONTAINED IN THESE DRAWINGS.

REFERENCE DRAWINGS	DWG. NO.
-	-
-	-
-	-
-	-
-	-
-	-
-	-
-	-
-	-
-	-

NO.	DATE	PROJECT DESCRIPTION	PROJ.	AFE	EPCM Co.	EPCM No.	APPD.
1	2013-07-19	PELICAN LAKE AERIAL COOLER RELOCATION	-	-	GENVAR	131-19244-00	JMM
2	2014-06-06	SUPERSEDED DRAWING RENUMBERED GR1-46-SCH-26-0015-001	-	-	WSP	131-24577-00	MJ
-	-	-	-	-	-	-	-
-	-	-	-	-	-	-	-
-	-	-	-	-	-	-	-
-	-	-	-	-	-	-	-
-	-	-	-	-	-	-	-
-	-	-	-	-	-	-	-
-	-	-	-	-	-	-	-
-	-	-	-	-	-	-	-

ISSUE STAGE	DATE	BY	CHKD.	APPD.
Prelim. (A)	-	-	-	-
Bld (B)	-	-	-	-
Sup'd (C)	2014-06-06	YHZ	ES	MJ
As-built (I)	-	-	-	-
-	-	-	-	-
-	-	-	-	-
-	-	-	-	-
-	-	-	-	-
-	-	-	-	-
-	-	-	-	-

PERMIT STAMP ENGINEER'S STAMP

PERMIT STAMP AND PROFESSIONAL STAMP AFFIXED ABOVE SHALL APPLY ONLY TO REV(S) 2-0

	SOUTH BTRY. 11-07 11-07-082-22 W4M PAD SITE 09-10-082-23 W4M NTS (A1 Size) EPCN 1721-T-0011H
WSP M-5828A AERIAL COOLER VFD SCHEMATICS AND WIRING DIAGRAM	PELICAN LAKE CLASS N FILE NO. PL10445U

Drawings Must Comply with Cenovus Energy Drafting & Drawing Specifications