

BILL OF MATERIAL

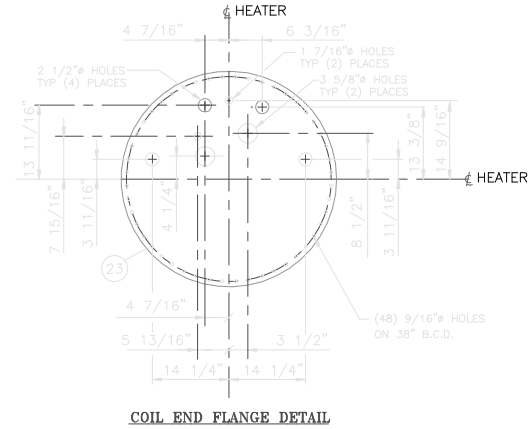
ITEM	QTY.	DESCRIPTION	MATERIAL	WELD
1	4	2"-1500# ANSI RFWN FLANGE 160 BORE N1,N2,N3,N4	A-105N	F1
2	2	2"-1500# RF BLIND FLG -N3 & N4 ONLY	A-105N	
3	2	2"-1500# ANSI FLEX. GASKETS	316 SS	
4	16	7/8" STUDS x 5 3/4" LG	A-193-B7M/194-2HM	
5	1	2"-SCH.160 PIPE x 127 13/16" LG N1	A-106-B	F1
6	1	2"-SCH.160 PIPE x 129 3/16" LG N2	A-106-B	F1
7	1	2"-SCH.160 PIPE x 128 3/16" LG N4	A-106-B	F1
8	1	2"-SCH.160 PIPE x 125 5/16" LG N3	A-106-B	F1
9	4	2"-SCH.160 PIPE x 113 1/2" LG	A-106-B	F1
10	3	2"-SCH.160 90° LRBW EL - N2,N3,N4	A-234-WPB	F1
11	6	2"-SCH.160 180° LRBW RETURN EL	A-234-WPB	F1
12	2	3"-600# ANSI RFWN FLANGE SCH.80 BORE N5,N6	A-105N	F1
13	1	3"-SCH.80 PIPE x 125 5/8" LG	A-106-B	F1
14	1	3"-SCH.80 PIPE x 131 5/8" LG	A-106-B	F1
15	2	3"-SCH.80 90° LRBW EL - N5,N6	A-234-WPB	F1
16	1	3"-SCH.80 180° LRBW RETURN EL	A-234-WPB	F1
17	2	1"-3000# SW UNION N7,N8	A-105N	F1
18	1	1"-SCH.80 PIPE x 133 5/16" LG	A-106-B	F1
19	1	1"-SCH.80 PIPE x 128 13/16" LG	A-106-B	F1
20	6	1"-SCH.80 PIPE x 117 1/2" LG	A-106-B	F1
21	7	1"-SCH.80 180° LRBW RETURN EL	A-234-WPB	F1
22	1	1/4" TUBE PLATE x DETAIL	G-40	F1
23	1	COIL FLANGE PL = 1/4" PL x 40" O.D.	G-40	
24	1	1"-6000# NPT TOL	A-105N	
			A-105N	

DESIGN DATA

DESIGN AND FABRICATE TO A.S.M.E. B 31.3 CODE, 1999 EDITION
 COIL #1 & #2 CRN: F-3086.2
 COIL #3 CRN: F-3319.2
 COIL #4 CRN: F-3317.2

	COIL #1-2"	COIL #2-2"	COIL #3-3"
DESIGN PRESSURE	3130 PSIG	3130 PSIG	1350 PSIG
DESIGN TEMP.	200°F/-20°F	200°F/-20°F	200°F/-20°F
STRESS RELIEF	30 MIN@1150°F	30 MIN@1150°F	30 MIN@1150°F
RADIOGRAPHY	100%	100%	100%
C.A.	1/8"	1/8"	1/8"
HYDROTEST PRESS.	4695 PSIG	4695 PSIG	2025 PSIG
ESTIMATED WEIGHT	372 LBS	465 LBS	285 LBS
SURFACE AREA	25.14 SQ.FT	25.14 SQ.FT	17.97 SQ.FT
VOLUME	0.726 CU.FT	0.734 CU.FT	1.22 CU.FT.

	COIL #4-1"
DESIGN PRESSURE	675 PSIG
DESIGN TEMP.	200°F/-20°F
STRESS RELIEF	30 MIN@1150°F
RADIOGRAPHY	5%
C.A.	1/8"
HYDROTEST PRESS.	1013 PSIG
ESTIMATED WEIGHT	55 LBS
SURFACE AREA	32.45 SQ.FT
VOLUME	0.482 CU.FT



PRIORITY PROJECTS LTD.
 1603-8 STREET, NISQU, ALBERTA T9E 7S7
 TELEPHONE: (780) 955-3320 FAX: (780) 955-2561

CUSTOMER NAME: KAISER ENERGY LTD.
 SCALE: NTS
 DRAWING NUMBER: 5295-301
 REV. A

COIL #1- 2"-SCH.160, 4 PASS
 COIL #2- 2"-SCH.160, 4 PASS
 COIL #3- 3"-SCH 80, 2 PASS
 COIL #4- 1"-SCH 80, 8 PASS

DATE: 99-11-10
 ISSUE FOR CRN
 REVISIONS
 DRAWN: [] CHECK: [] DESIGN: [] APPR.: []
 DRAFTING: [] ENGINEERING: []