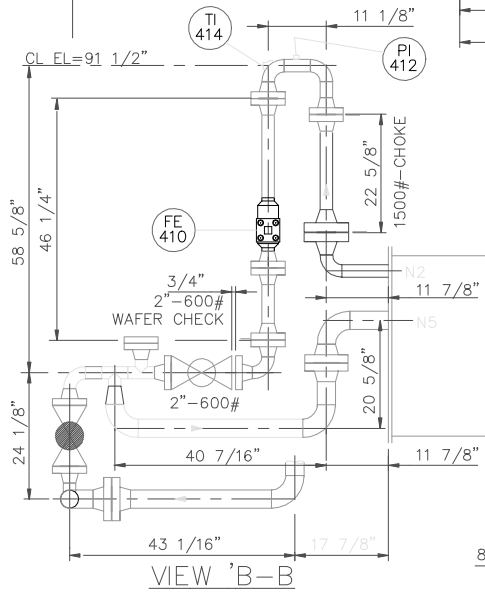
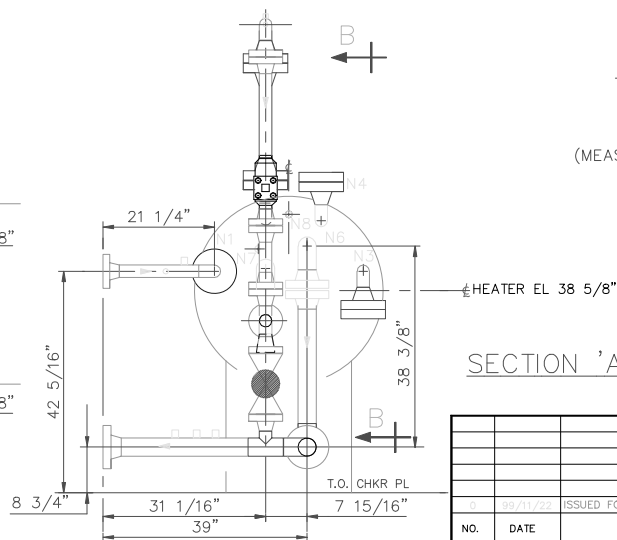


PLAN




VIEW 'B-B'



SECTION 'A-A'

NOZZLE ELEVATIONS
(MEASURED FROM CL NOZZLE TO UNDERSIDE OF SKID)

- N1=52 1/2"
- N2=62 1/2"
- N3=52 1/2"
- N4=62 3/16"
- N5=53 1/16"
- N6=57 5/16"
- N7=56 3/4"
- N8=63 3/8"

 PRIORITY PROJECTS LTD. 1603-8 STREET, NISKU, ALBERTA T9E 7S7 TELEPHONE: (403) 955-3320 FAX: (403) 955-2561		750,000 BTU/HR LINE HEATER/WELLHEAD SKID		
		36"OD X 10'-6"LG HEATER GENERAL ARRANGEMENT		
CUSTOMER NAME KAISER ENERGY LTD		SCALE 1"=0'	DRAWING NUMBER 5295-200	REV. 0
NO.	DATE	ISSUED FOR FABRICATION	SPB	7-35-81-10W-BM
		REVISIONS	DRAWN DRAFTING	CHECK ENGINEERING
			DESIGN ENGINEERING	APPR.
LSD NO.				