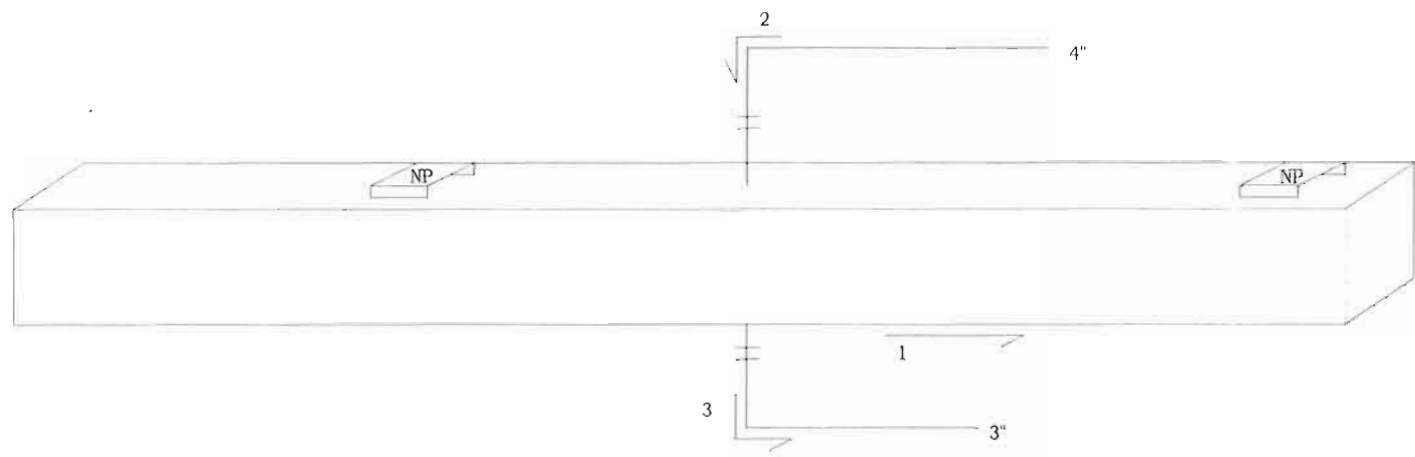


E 



VESSEL DATA

08/27/2013 EF.

UNIT#: 22885 TAG#: SH-1002A  
 DESCRIPTION: Propane Condenser  
 MANUFACTURER: Air x Changers  
 SERIAL#: 945406.1  
 C.R.N.#: M 0069.2  
 ALBERTA#: B.C.#:  
 M.W.P.: 270 psi @ 160 F  
 SHELL:  
 HEAD:  
 SIZE:  
 CORR. ALLOW.:  
 MAN. DATE: 1994  
 HEAT TREAT.:  
 RADIOGRAPHY:

CLIENT: DEVON CANADA CORP.

LOCATION: SADDLE HILLS 1-3-77-7 W6M PLANT

DATE: Nov 3, 1999

DRAWN BY: JWE

DRAWING#: SH-0103-V43

**DEVON CANADA CORP**

Location: Saddle Hills 1-3-77-7 Plant

Unit #: 22885 Propane Condenser Dwg #: SH-0103-V43 Eq#: SH-1002A

Band #:	1	Across Bttm					'T'Nom:	'T'Min:	
Point#	Oct 1999	May 2002	Jun 2005	Mar 2008	Aug 2013			TNOM	
1	12.9	12.9	13.2	13.1	13.1				
2	12.9	13.0	13.1	13.0	13.1				
3	12.9	13.0	13.1	13.2	13.1				
4	13.0	13.1	13.1	13.1	13.1				
5	13.1	13.0	13.1	13.1	13.1				
6	12.8	13.0	13.1	13.1	13.1				
7	12.8	13.0	13.0	12.9	13.1				
8	12.9	12.8	12.9	13.0	13.1				
Average	12.9	13.0	13.1	13.1	13.1				
Meas Min	12.8	12.8	12.9	12.9	13.1				
% Loss/Ave	1	1	1	1	0				
% C.A. Lost									

Band #:	2	4" 90 El					'T'Nom:	6.0	'T'Min:	2.5
Point#	Oct 1999	May 2002	Jun 2005	Mar 2008	Aug 2013					
1	6.3	6.1	6.9	6.3	6.1					
2	6.5	6.2	6.2	6.1	6.1					
3	6.3	6.3	6.2	6.1	6.3					
4	6.2	6.2	6.1	6.1	6.3					
5	6.1	6.1	6.0	6.1	6.4					
6	6.1	6.2	5.9	6.0	6.5					
Average	6.3	6.2	6.2	6.1	6.3					
Meas Min	6.1	6.1	5.9	6.0	6.1					
% Loss/Ave	2	1	5	2	3					
% C.A. Lost			3							

Band #:	3	2" 90 El					'T'Nom:	3.9	'T'Min:	2.5
Point#	Oct 1999	May 2002	Jun 2005	Mar 2008	Aug 2013					
1	4.1	4.1	4.1	3.9	4.0					
2	4.2	4.2	4.1	3.9	4.2					
3	4.2	4.1	3.8	3.9	4.0					
4	4.2	4.0	3.8	3.9	4.0					
Average	4.2	4.1	4.0	3.9	4.1					
Meas Min	4.1	4.0	3.8	3.9	4.0					
% Loss/Ave	2	2	4	0	1					
% C.A. Lost			7							