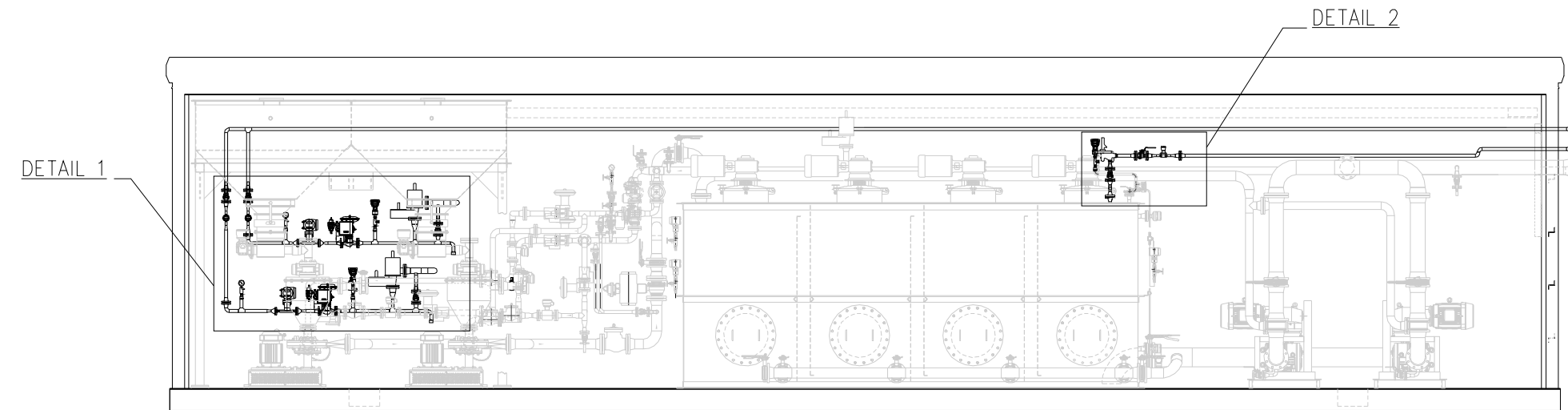
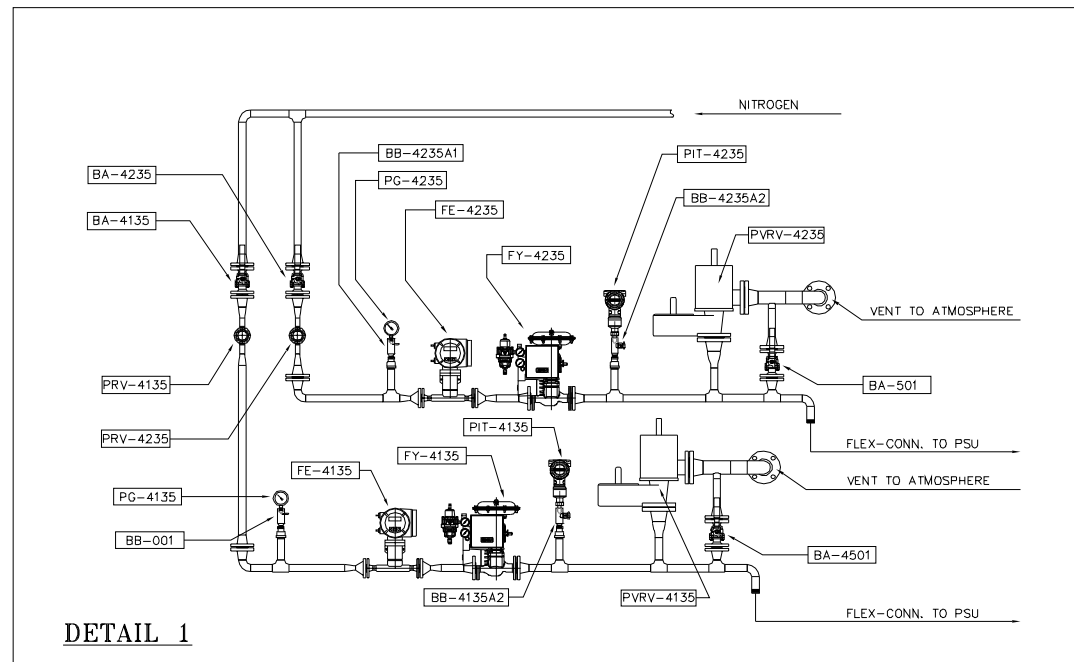


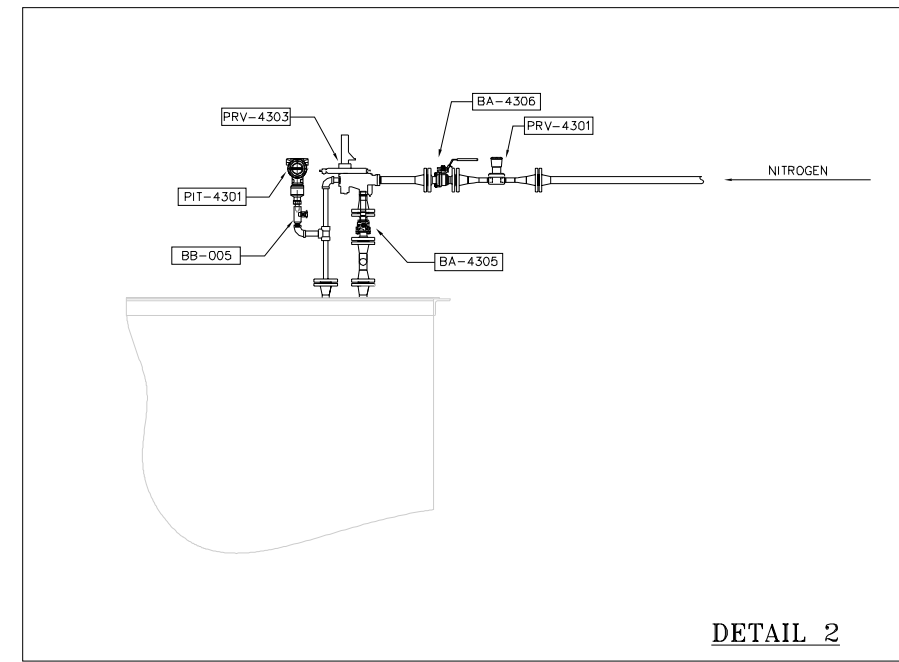
PLAN VIEW



ELEVATION VIEW



DETAIL 1



DETAIL 2

NOTES:

REFER TO 11179-D01-PI / 11179-D02-PI FOR DETAIL TAG REFERENCE.

FOR REVIEW & COMMENT

REV	DATE	FOR REVIEW	WF	RW	DATE
A	10/17/11				
FLOQUIP JOB NO. 11179			DATE		
DESIGNER W. FLOWERS			10/17/11		
PROJECT MGR. R. WILLIAMS					
CHECKED -					
APPD. M.MOQUL			DO NOT SCALE THIS DWG USE DIMENSIONS ONLY		
SCALE -					



P.O. BOX 250  
RICEBORO, GEORGIA 31323  
VOICE - 912.884.8728  
FAX - 912.884.4018  
EMAIL - FLOQUIPCAD@SNFHC.COM

CLIENT  
11179  
CANADIAN NATURAL RESOURCES LTD.  
SANDY LAKE

TITLE  
CNRL POLYMER HYDRATION SKID  
NITROGEN PIPING & INSTRUMENTATION

NUMBER 11179-D02-GA REVISION A