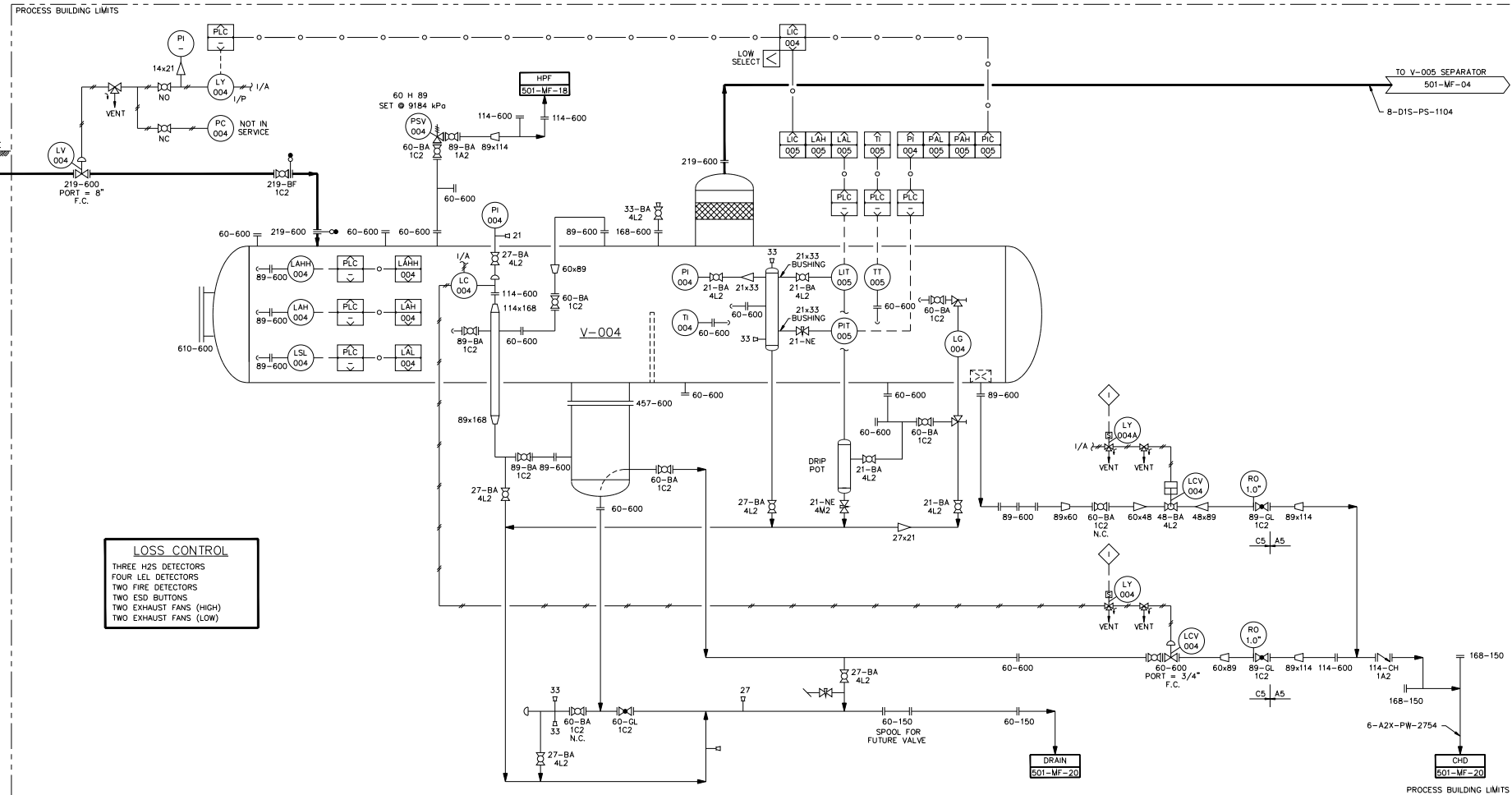


V-004  
**V-004 INLET SEPARATOR**  
 SIZE: 1676 mm ø x 7315 mm S/S  
 MAWP: 9184 kPa @ 93°C  
 SN: 2002-6332-01  
 CA: 3.2 mm  
 CRN: P-0334.21  
 A No.: 454381  
 INTERNALLY COATED: DEVOC 253



**LOSS CONTROL**  
 THREE H2S DETECTORS  
 FOUR LEL DETECTORS  
 TWO FIRE DETECTORS  
 TWO ESD BUTTONS  
 TWO EXHAUST FANS (HIGH)  
 TWO EXHAUST FANS (LOW)

THIS DRAWING IS THE PROPERTY OF NORTHERN DRAFTING SERVICES LTD. ON BEHALF OF ITS CLIENT. FOR COPIES OR REVISIONS TO THIS DRAWING, PLEASE CALL 1-250-785-0131.

NO.	DATE	REVISIONS	DRAWN	CHECK	DESIGN	APPR.
			DRAFTING		ENGINEERING	
4	15 09 02	AS-IS, REDRAWN	JMM	WRM		
3	13 03 02	AS-BUILT	GWC			
2	05 02 02	AS BUILT AS PER LEDCOR MARK-UPS	LR			
1	25 09 01	RE-ISSUED FOR CONSTRUCTION	CDC			
0	07 09 01	ISSUED FOR CONSTRUCTION (TUNDRA #01016)	GWC			

NO.	TITLE
501-MF-01 TO 25	MECHANICAL FLOW DIAGRAMS
501-PP-01	MECHANICAL PLOT PLAN

PROFESSIONAL AND PERMIT STAMPS AFFIXED HEREUNDER SHALL APPLY ONLY TO REVISION(S)

PROFESSIONAL AND PERMIT STAMPS

NORTHERN DRAFTING SERVICES LTD  
 OILFIELD DESIGN AND DOCUMENTATION  
 FORT ST JOHN, B.C.  
 1-250-785-0131

APPROVED FOR CONSTRUCTION

BY: \_\_\_\_\_ DATE YY MM DD  
 BY: \_\_\_\_\_ DATE YY MM DD

**Anadarko**  
 Canada Corporation

c-76-K, 94-B-8 GRAHAM COMPRESSOR STATION  
**V-004 INLET SEPARATOR**  
**MECHANICAL FLOW DIAGRAM**

CLIENT FILE NO.	SCALE	NORTHERN DRAWING NUMBER	REV.
CLIENT DWG NUMBER	NTS	501-MF-03	4