

THIS DRAWING IS THE PROPERTY OF NORTHERN DRAFTING SERVICES LTD. ON BEHALF OF ITS CLIENT. FOR COPIES OR REVISIONS TO THIS DRAWING, PLEASE CALL 1-250-785-0131.

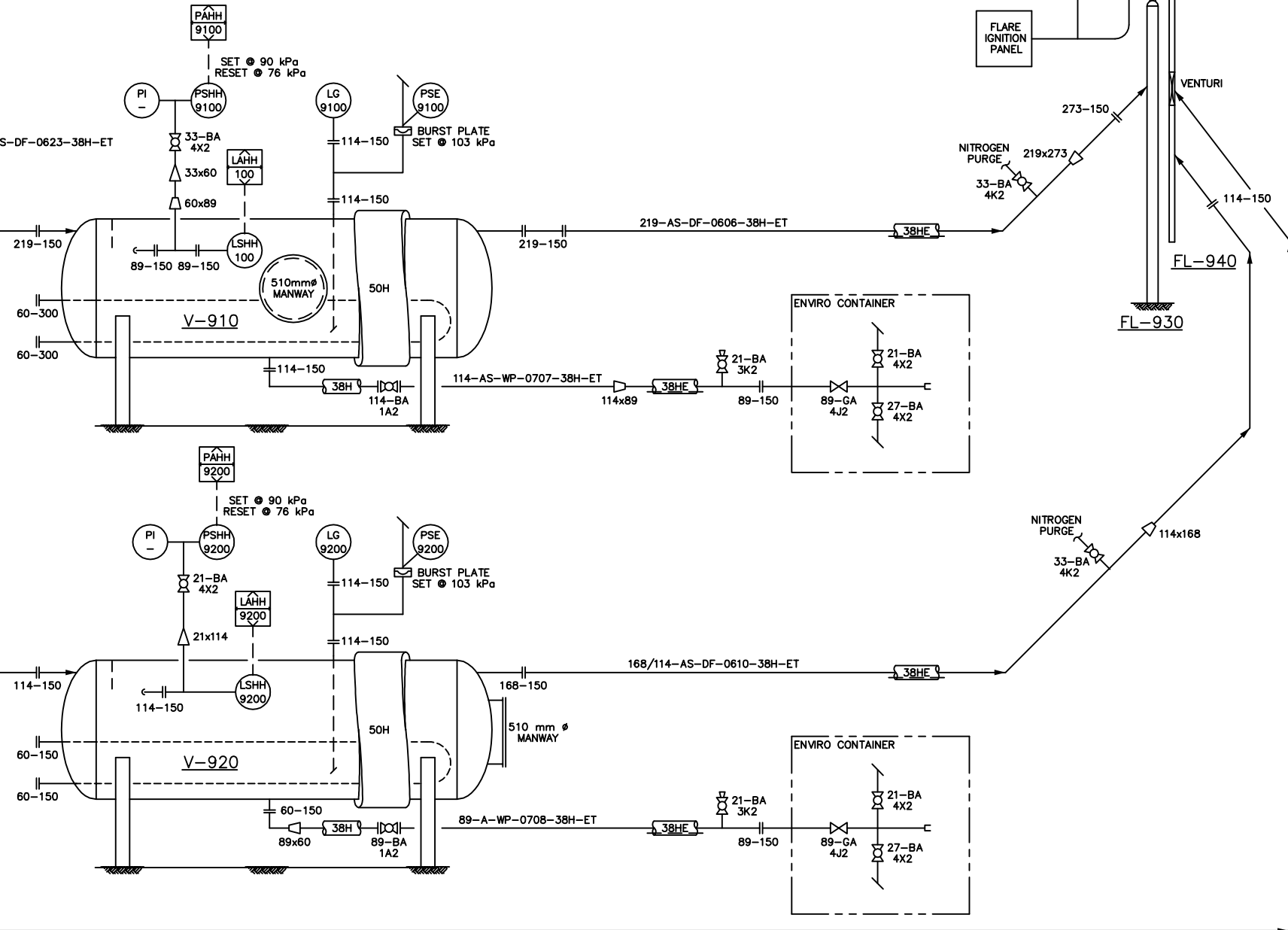
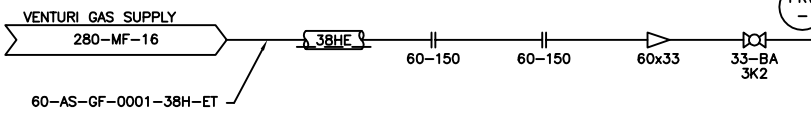
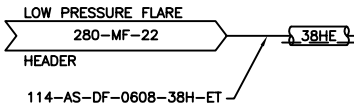
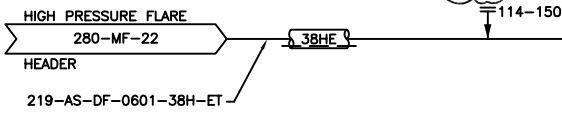
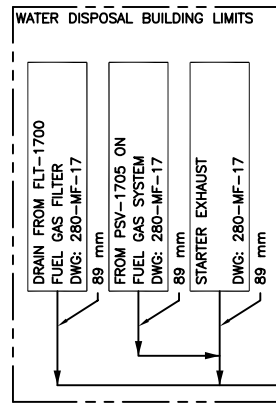
AutoCAD 14 280-MF-23

**V-910**  
HIGH PRESSURE FLARE KNOCKOUT DRUM  
SIZE: 1848 mm Ø x 6096 mm S/S  
LIQUID CAP: 15.9 m<sup>3</sup> (100 BBL'S) @ 40% INTERNAL VOLUME  
DESIGN PRESS: 50 PSIG (NOT REGISTERED) ATMOSPHERE  
SN: 001891

**V-920**  
LOW PRESSURE FLARE KNOCKOUT DRUM  
SIZE: 1848 mm Ø x 6096 mm S/S  
LIQUID CAP: 15.9 m<sup>3</sup> (100 BBL'S) @ 40% INTERNAL VOLUME  
DESIGN PRESS: 50 PSIG (NOT REGISTERED) ATMOSPHERE  
SN: 001997

**FL-930**  
HIGH PRESSURE FLARE STACK  
SIZE: 273 mm OD SCH 40 x 18290 mm TALL  
C/W 24 VDC IGNITOR  
SN: 98-0318

**FL-940**  
LOW PRESSURE FLARE STACK  
SIZE: 114 mm OD SCH 40 x 18290 mm TALL  
SN: 98-0318



NO.	DATE	REVISIONS	DRAWN	CHECK	DESIGN	APPR.
			DRAFTING		ENGINEERING	
7	12 06 02	GENERAL REVISION - REDRAWN	WRM	WRM		
6	03 008 99	ISSUED FOR CONSTRUCTION	BC	MK	MK	MK
5	20 04 99	AS BUILT	JW	PW	MK	MK
4	09 03 99	RE-ISSUED FOR CONSTRUCTION - LINE No ADDED	JW	PW	MK	MK
3	19 02 99	ISSUED FOR CONSTRUCTION	JW	PW	MK	MK
8	2011-05-19	TREATER REMOVED	HN	BL		

NO.	TITLE
280-MF-01 TO 30	MECHANICAL FLOW DIAGRAMS
280-PP-01	MECHANICAL PLOT PLAN
	REFERENCE DRAWINGS

PROFESSIONAL AND PERMIT STAMPS AFFIXED HEREUNDER SHALL APPLY ONLY TO REVISION(S) 0 TO 6

PROFESSIONAL ENGINEER

NORTHERN DRAFTING SERVICES LTD  
OILFIELD DESIGN AND DOCUMENTATION  
FORT ST JOHN B.C.  
1-250-785-0131

APPROVED FOR CONSTRUCTION

BY: \_\_\_\_\_ DATE YY MM DD

BY: \_\_\_\_\_ DATE YY MM DD

280-MF-23

5-12-87-25 W6M HALFWAY BATTERY  
HIGH AND LOW PRESSURE FLARE STACKS AND KNOCKOUTS  
MECHANICAL FLOW DIAGRAM

CLIENT FILE NO.	SCALE	NORTHERN DRAWING NUMBER	REV.
	NTS	HAF0512-220-0024	8