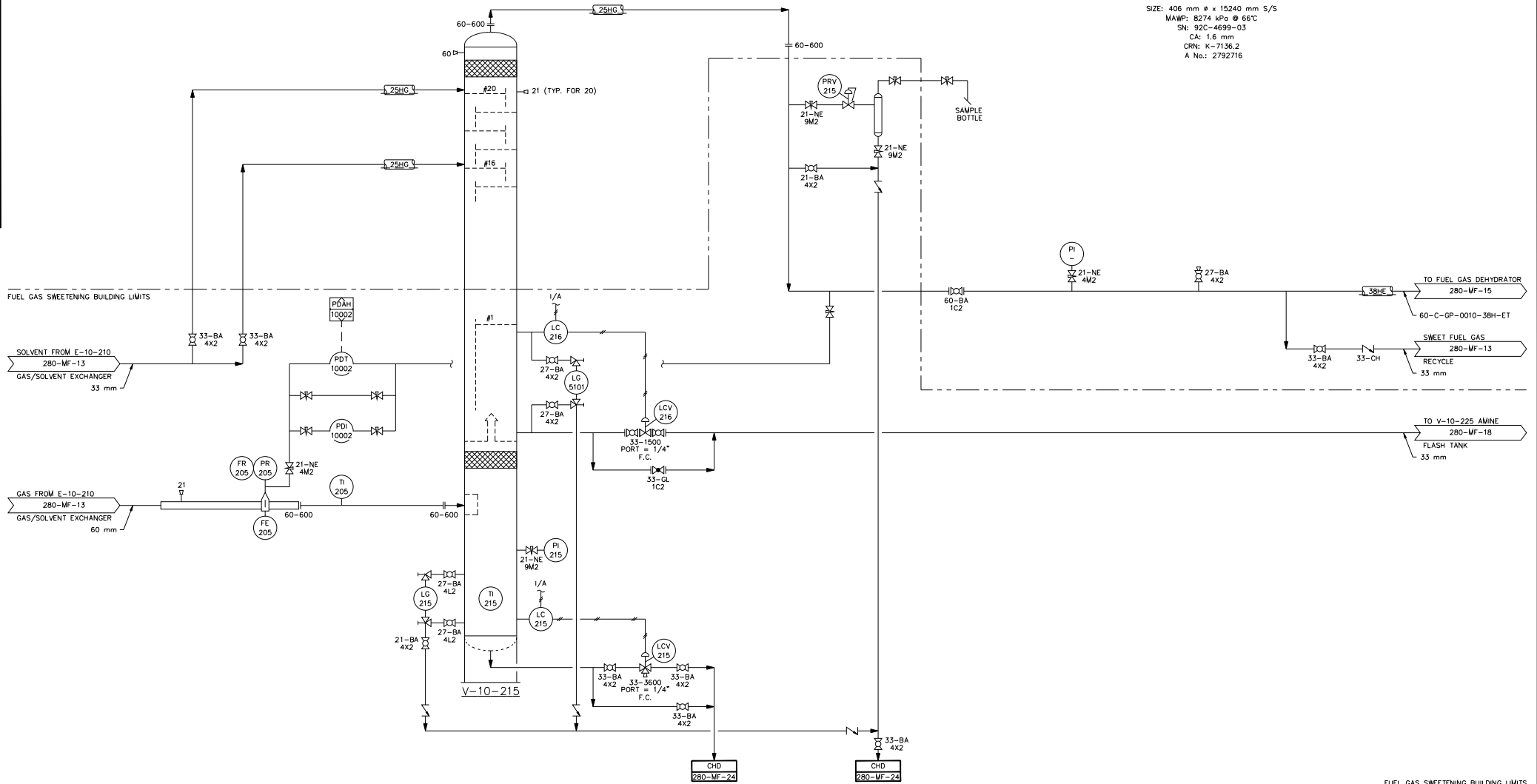


T-10-215
AMINE CONTACTOR
 SIZE: 406 mm ø x 15240 mm S/S
 MAWP: 8274 kPa @ 66°C
 SN: 92C-4699-03
 CA: 1.6 mm
 CRN: K-7136.2
 A No.: 2792716



FUEL GAS SWEETENING BUILDING LIMITS

NO.	DATE	REVISIONS	DRAWN	CHECK	DESIGN	APPR.
4	12 06 02	GENERAL REVISION - REDRAWN	WRM	WRM		
3	28 07 99	AS BUILT - NORTHERN DRAFTING SERVICES LTD.	PW	MK	MK	MK
2	20 04 99	AS BUILT	JW	PW	MK	MK
1	05 03 99	RE-ISSUED FOR CONSTRUCTION	JW	PW	MK	MK
0	19 02 99	ISSUED FOR CONSTRUCTION	JW	PW	MK	MK

NO.	TITLE
280-MF-01 TO 30	MECHANICAL FLOW DIAGRAMS
280-PP-01	MECHANICAL PLOT PLAN

PROFESSIONAL AND PERMIT STAMPS AFFIXED HEREUNDER SHALL APPLY ONLY TO REVISION(S) 0 TO 3

M. A. KAPPELHOFF
 BRITISH COLUMBIA
 ENGINEER

PROFESSIONAL AND PERMIT STAMPS

NORTHERN DRAFTING SERVICES LTD
 OILFIELD DESIGN AND DOCUMENTATION
 FORT ST JOHN, B.C.
 1-250-785-0131

APPROVED FOR CONSTRUCTION

BY: _____ DATE YY MM DD
 BY: _____ DATE YY MM DD

280-MF-14

5-12-87-25 W6M HALFWAY BATTERY
 T-10-215 AMINE CONTACTOR
 MECHANICAL FLOW DIAGRAM

CLIENT FILE NO. _____	SCALE NORTHERN DRAWING NUMBER	REV.
CLIENT DWG NUMBER _____	NTS HAF0512-220-0015	4