

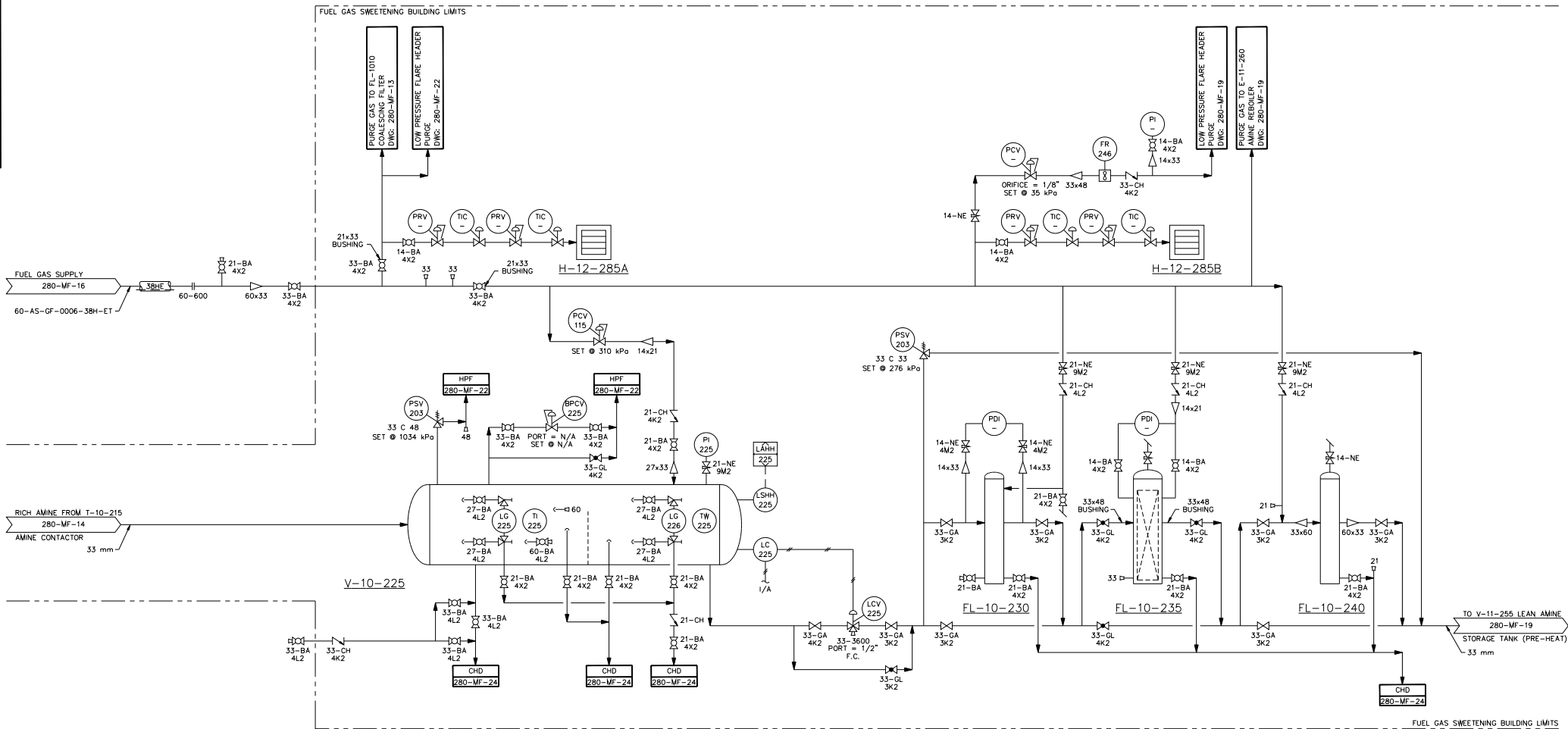
**V-10-225**  
**AMINE FLASH TANK**  
 SIZE: 610 mm ø x 1524 mm S/S  
 MAWP: 1034 kPa @ 66°C  
 SN: 92C-4699-18  
 CA: 1.6 mm  
 CRN: K-7280.2  
 A No.: 2792802

**FL-10-230**  
**PARTICULATE FILTER**  
 SIZE: 168 mm ø x 1168 mm TALL  
 MAWP: 1034 kPa @ 66°C  
 SN: 92C-4699-13  
 CA: 3.2 mm  
 CRN: K-6902.2  
 A No.: 2792792

**FL-10-235**  
**HYDROCARBON ABSORBER**  
 SIZE: 219 mm ø x 1016 mm TALL  
 MAWP: 1896 kPa @ 94°C  
 SN: 55-4-336-8-275-1/25  
 CA: 3.2 mm  
 CRN: F-9527.23

**FL-10-240**  
**CHARCOAL FILTER**  
 SIZE: 356 mm ø x 1220 mm TALL  
 MAWP: 1034 kPa @ 38°C  
 SN: LM-2637  
 CA: N/A  
 CRN: C-9522.21

**H-12-285A & B**  
**BUILDING HEATERS**  
 MFG: CATADYNE  
 MDL: BX 24x24  
 DUTY: 22,500 BTU/HR



| NO. | DATE     | REVISIONS                                 | DRAWN    | CHECK | DESIGN      | APPR. |
|-----|----------|---|----------|-------|-------------|-------|
|     |          |   | DRAFTING |       | ENGINEERING |       |
| 4   | 12 06 02 | GENERAL REVISION - REDRAWN                | WRM      | WRM   |             |       |
| 3   | 28 07 99 | AS BUILT - NORTHERN DRAFTING SERVICES LTD | PW       | MK    | MK          | MK    |
| 2   | 21 04 99 | AS BUILT                                  | JW       | PW    | MK          | MK    |
| 1   | 05 03 99 | REISSUED FOR CONSTRUCTION                 | JW       | PW    | MK          | MK    |
| 0   | 19 02 99 | ISSUED FOR CONSTRUCTION                   | JW       | PW    | MK          | MK    |

| NO.             | TITLE                    |
|-----------------|--------------------------|
| 280-MF-01 TO 29 | MECHANICAL FLOW DIAGRAMS |
| 280-PP-01       | MECHANICAL PLOT PLAN     |
| NO.             | TITLE                    |
|                 | REFERENCE DRAWINGS       |

PROFESSIONAL AND PERMIT STAMPS AFFIXED HEREUNDER SHALL APPLY ONLY TO REVISION(S) 0 TO 6



PROFESSIONAL AND PERMIT STAMPS

NORTHERN DRAFTING SERVICES LTD  
 OILFIELD DESIGN AND DOCUMENTATION  
 FORT ST JOHN, B.C.  
 1-250-785-0131

APPROVED FOR CONSTRUCTION

BY: \_\_\_\_\_ DATE YY MM DD  
 BY: \_\_\_\_\_ DATE YY MM DD



280-MF-18

5-12-87-25 W6M HALFWAY BATTERY  
 AMINE REGENERATION  
 MECHANICAL FLOW DIAGRAM

|                   |       |                         |      |
|-------------------|-------|-------------------------|------|
| CLIENT FILE NO.   | SCALE | NORTHERN DRAWING NUMBER | REV. |
|                   | NTS   | HAF0512-220-0019        | 4    |
| CLIENT DWG NUMBER |       |                         |      |