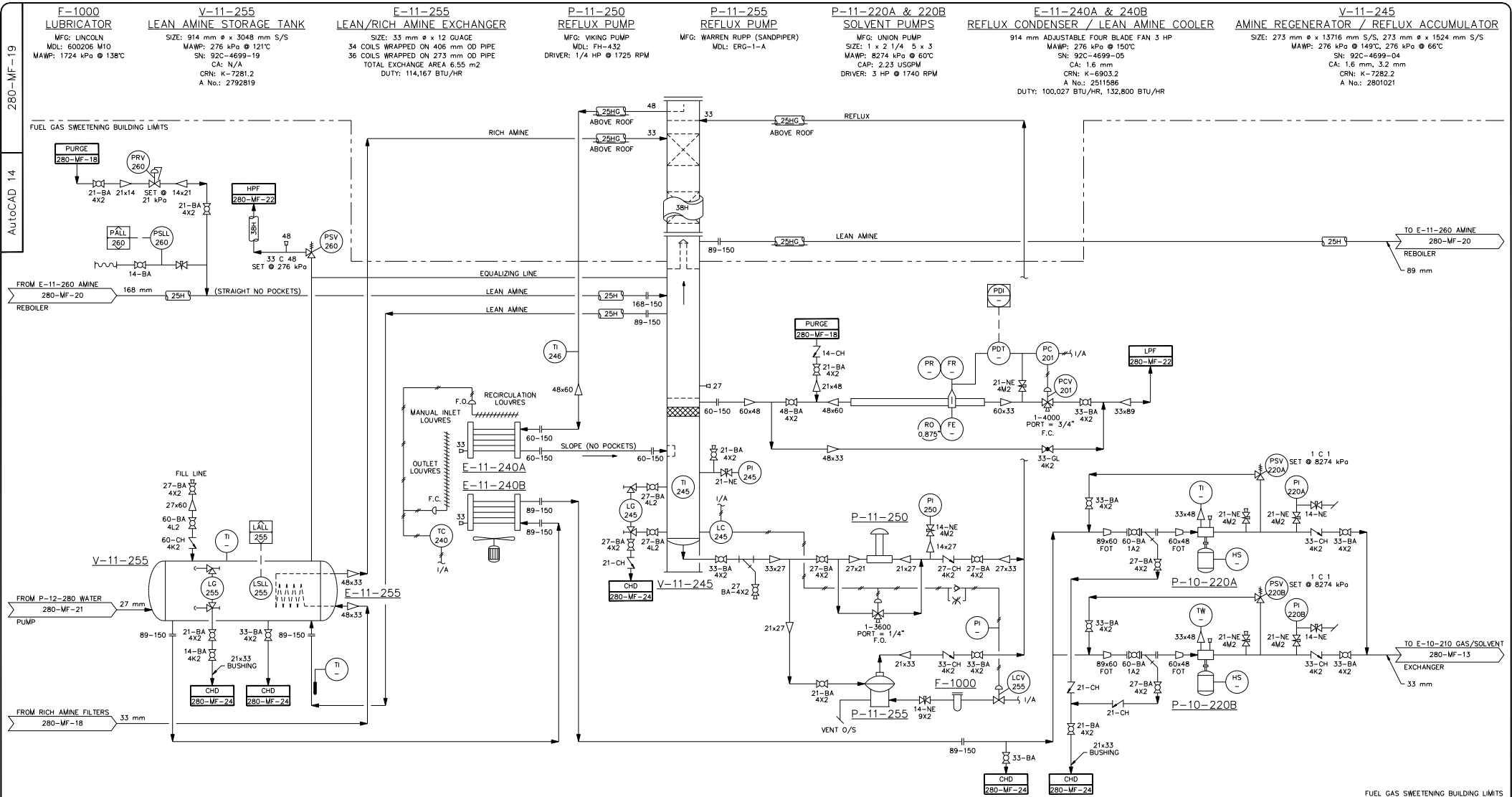


THIS DRAWING IS THE PROPERTY OF NORTHERN DRAFTING SERVICES LTD. ON BEHALF OF ITS CLIENT. FOR COPIES OR REVISIONS TO THIS DRAWING, PLEASE CALL 1-250-785-0131.

AutoCAD 14



NO.	DATE	REVISIONS	DRAWN	CHECK	DESIGN	APPR.
			DRAFTING		ENGINEERING	
3	12 06 02	GENERAL REVISION - REDRAWN	WRM	WRM		
2	30 07 99	AS BUILT - NORTHERN DRAFTING SERVICES LTD	JW	PW	MK	MK
1	05 03 99	RE-ISSUED FOR CONSTRUCTION	JW	PW	MK	MK
0	19 02 99	ISSUED FOR CONSTRUCTION	JW	PW	MK	MK

NO.	TITLE
280-MF-01 TO 30	MECHANICAL FLOW DIAGRAMS
280-PP-01	MECHANICAL PLOT PLAN

PROFESSIONAL AND PERMIT STAMPS AFFIXED HEREUNDER SHALL APPLY ONLY TO REVISION(S) 0 TO 2

PROFESSIONAL AND PERMIT STAMPS

NORTHERN DRAFTING SERVICES LTD
OILFIELD DESIGN AND DOCUMENTATION
FORT ST JOHN, B.C.
1-250-785-0131

APPROVED FOR CONSTRUCTION

BY: _____ DATE YY MM DD
BY: _____ DATE YY MM DD

280-MF-19

5-12-87-25 W6M HALFWAY BATTERY
AMINE REGENERATION
MECHANICAL FLOW DIAGRAM

CLIENT FILE NO. _____	SCALE NORTHERN DRAWING NUMBER	REV.
CLIENT DWG NUMBER _____	NTS HAF0512-220-0020	3